



The Best Just Got Better

MODEL T-250 TOWER SPECIFICATIONS



Cooling Tower Systems, Inc.

3170 Mercer University Dr., Macon, GA 31204

TF: 800.752.1905

F: 478.755.8304

www.coolingtowersystems.com

info@coolingtowersystems.com



TOWER SPECIFICATIONS: MODEL T-250 Cooling Tower Systems, Inc.

Design and Operating Conditions		Water Distribution System Construction Materials	
Tower Type:	Counter Flow Induced Draft	Stand Pipe:	PVC
Water Flow Rate (GPM):	148 GPM	Sprinkler Head:	AC
Entering Water Temperature	95°F	Sprinkler Pipes:	PVC
Leaving Water Temperature	85°F	Mechanical Equipment	
Wet Bulb Temperature:	75°F	Fan Unit:	One Unit per Tower
Total Fan BHP:	1.5 HP	Type:	Axial Flow
Total Pump Head:	6.6'	Manufacturer:	CTS
Drift Loss of Water Flow:	0.002%	Diameter:	38.25"
Evaporation Loss of Water Flow:	0.93%	Blade Material:	AC
Design Wind Load:	30.7 lbs/sq. ft.	Hub Material:	AC
Structural Details		Nominal Air Volume:	11,500 CFM
Overall Diameter:	78 3/4"	Fan Motor	
Overall Height:	74.5"	Number of motors:	One Unit per Tower
Dry Weight:	435 lbs.	Type:	Induction
Operating Weight:	1,313 lbs.	Manufacturer:	CTS
Basic Tower Construction Materials		Insulation:	E Class
Tower Support Frame Assembly	FRP	Rated HP:	1.5 HP
Casing:	FRP	Voltage and phase:	220/440V/3
Casing Supporters	Nylon	Piping Connections	
Cold Water Basin	FRP	Primary Water Inlet Diameter	3"
Filling:	PVC	Primary Water Outlet Diameter:	3"
Filling Supports:	HDGS	Auto fill inlet diameter:	3/4"
Fan Guard	HDGS	Quick fill inlet diameter:	-
Mechanical Equipment Supports:	HDGS	Overflow outlet diameter:	1"
Inlet Louvers:	PVC	Drain diameter:	1"
Bolts, Nuts & Washers:	STS	Water Flow (GPM):	148 GPM
Materials Key			
FRP	Fiberglass Reinforced Polyester	STS	Stainless Steel
HDGS	Hot Dipped Galvanized Steel	AC	Aluminum Alloy Cast

Cooling Tower Systems, Inc.

3170 Mercer University Dr., Macon, GA 31204

TF: 800.752.1905

F: 478.755.8304

www.coolingtowersystems.com

info@coolingtowersystems.com



Cooling Tower Systems, Inc.

PARTS LIST: MODEL T-250

FOR TECHNICAL DIAGRAMS				FOR ASSEMBLY DIAGRAM		
Item No.	Description	Material	QTY	Ref. No.	Description	QTY
				02-01	Water Sump	1
1	Fan Motor	-	1 pcs	02-02	Outlet Nozzle	1
2	V-Belt Reducer	-	-	02-03	Inlet Nozzle	1
3	Motor Frame Assembly	HDGS	1 set	02-04	Over Flow Nozzle	1
4	Fan Blade Assembly	Nylon	1 set	02-05	Drain Nozzle	1
5	Fan Guard	PP	1 set	02-06	Automatic Filler Nozzle	1
6	Casing	FRP	4 pcs	02-07	Quick Filler Nozzle	1
7	Hand Hole	EVA	1 pcs	02-08	Float Valve Assembly	1
8	Sprinkler Head	Nylon	1 set	02-09	Over Flow	1
9	Sprinkler Pipes	PVC	4 pcs	02-10	Suction Strainer	1
10	Eliminator	-	4 pcs	02-12A	Z Type Connector	1
11	Tension Device	-	-	02-16	Elbow	1
12	Stand Pipe	PVC	1 set	02-19	Inlet Pipe	1
13	Filling	PVC	1 set	03-01	Water Basin	2
14	Stopper or Column	PP	1 set	04-00	Casing Supporter	4
15	Filling Supporter	PVC	1 set	05-01A	Casing	4
16	Casing Supporter	Nylon	4 pcs	05-06	Hand Hole Cover	1
17	Inlet Louver	PVC	1 set	06-01	Stand Pipe	1
18	Frame Assembly	-	-	06-04	Stand Pipe Base	1
19	Water Basin	FRP	2 pcs	07-01	Stopper	1
20	Water Sump	FRP	1 pcs	08-01	Filling Supporter - A	4
21	Ladder	HDGS	1 set	08-02	Filling Supporter - C	4
22	Strainer	PE	1 pcs	10-00	Ladder	1
23	Flange	-	-	10-03	Ladder Bracket - A	2
24	Basin Supporter	-	-	10-04	Ladder Bracket - B	2
				11-00	Filling	2
				12-01	Sprinkler Head	1
				12-04	Tension Wire	2
				13-01	Sprinkler Pipe	4
				13-02	End Cap	4
				13-03	Eliminator	4
				13-04	Lock Nut	4
				14-00	Motor Frame Assembly	1
				16-01	Fan Motor	1
				16-03	Fan Key	1
				16-04	Fasten Nut	1
				17-00	Fan Assembly	1
				17-01	Fan Hub	-
				17-02	Fan Blade	-
				17-04	U-Bolt	-
				18-01	Fan Guard	2
				20-02	Inlet Louver	5
				20-03	PVC Frame	10
				20-04	Louver Clip	8
				20-05	Louver Plate	8
				20-06	Lug Plate	8
				OTHERS	Bolts & Nuts	1 SET

Materials Key	
FRP	Fiberglass Reinforced Polyester
HDGS	Hot Dipped Galvanized Steel
STS	Stainless Steel
AC	Aluminum Alloy Cast
Water Basin Sealing Material	
Fiberglass	1 Set—A
Polyester Resin	1 Keg—B
Catalyst	1 Bottle—C

Cooling Tower Systems, Inc.

3170 Mercer University Dr., Macon, GA 31204

TF: 800.752.1905

F: 478.755.8304

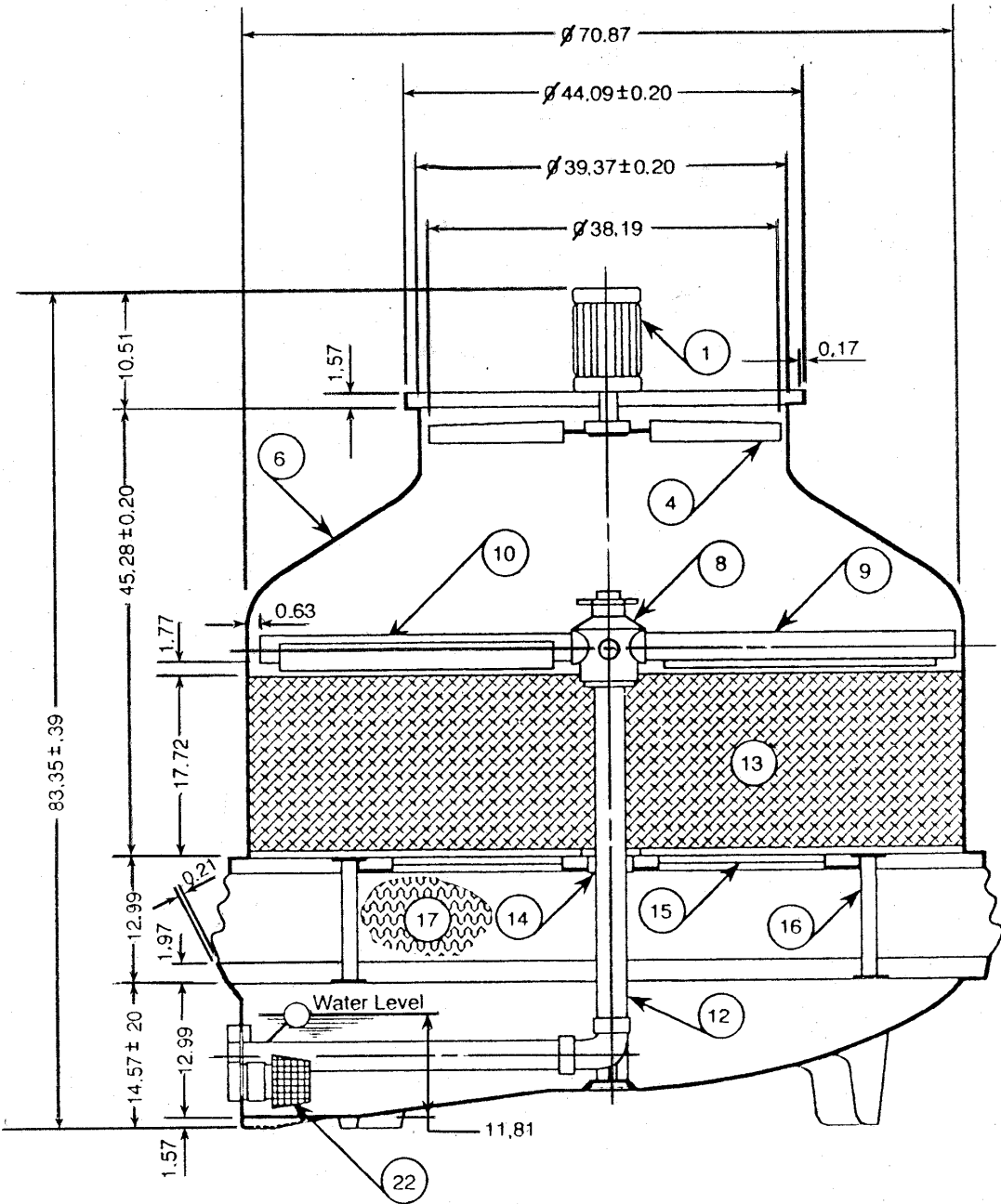
www.coolingtowersystems.com

info@coolingtowersystems.com



Cooling Tower Systems, Inc.

TECHNICAL IMAGE A: MODEL T-250



Cooling Tower Systems, Inc.

3170 Mercer University Dr., Macon, GA 31204

TF: 800.752.1905

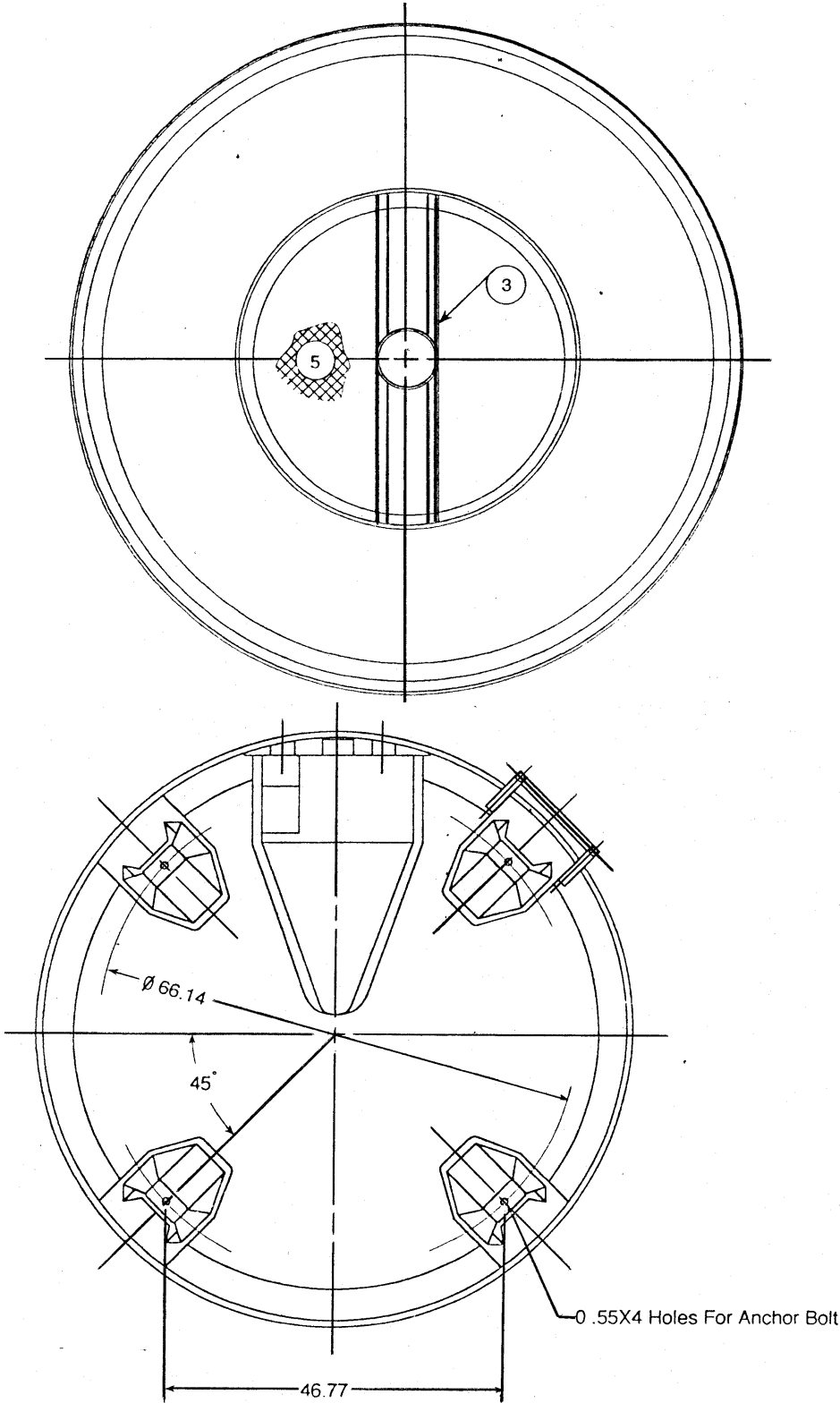
F: 478.755.8304

www.coolingtowersystems.com

info@coolingtowersystems.com



TECHNICAL IMAGE B & C: MODEL T-250 Cooling Tower Systems, Inc.



Cooling Tower Systems, Inc.

3170 Mercer University Dr., Macon, GA 31204

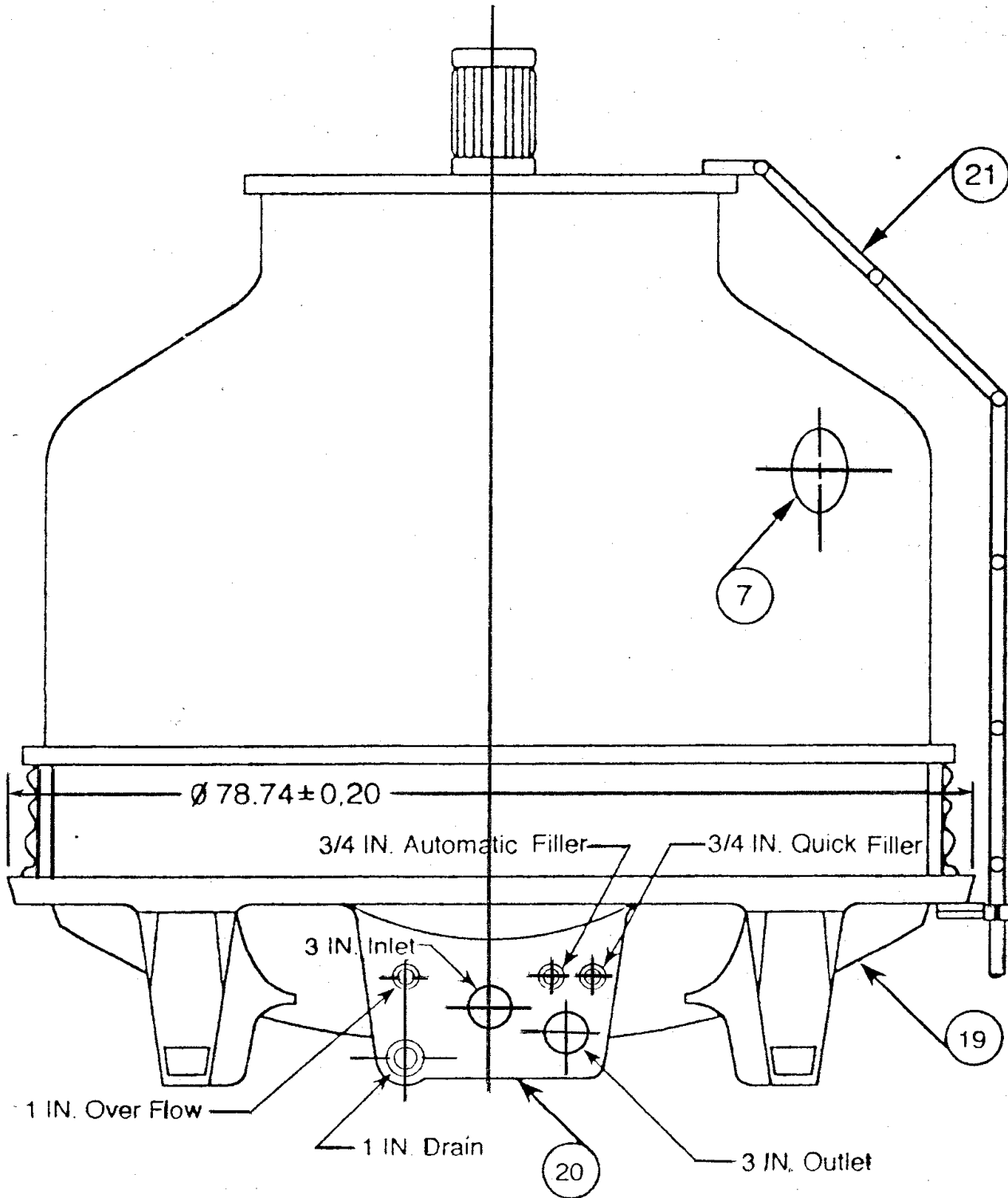
TF: 800.752.1905

F: 478.755.8304

www.coolingtowersystems.com

info@coolingtowersystems.com

TECHNICAL IMAGE D: MODEL T-250



Cooling Tower Systems, Inc.

3170 Mercer University Dr., Macon, GA 31204

TF: 800.752.1905

F: 478.755.8304

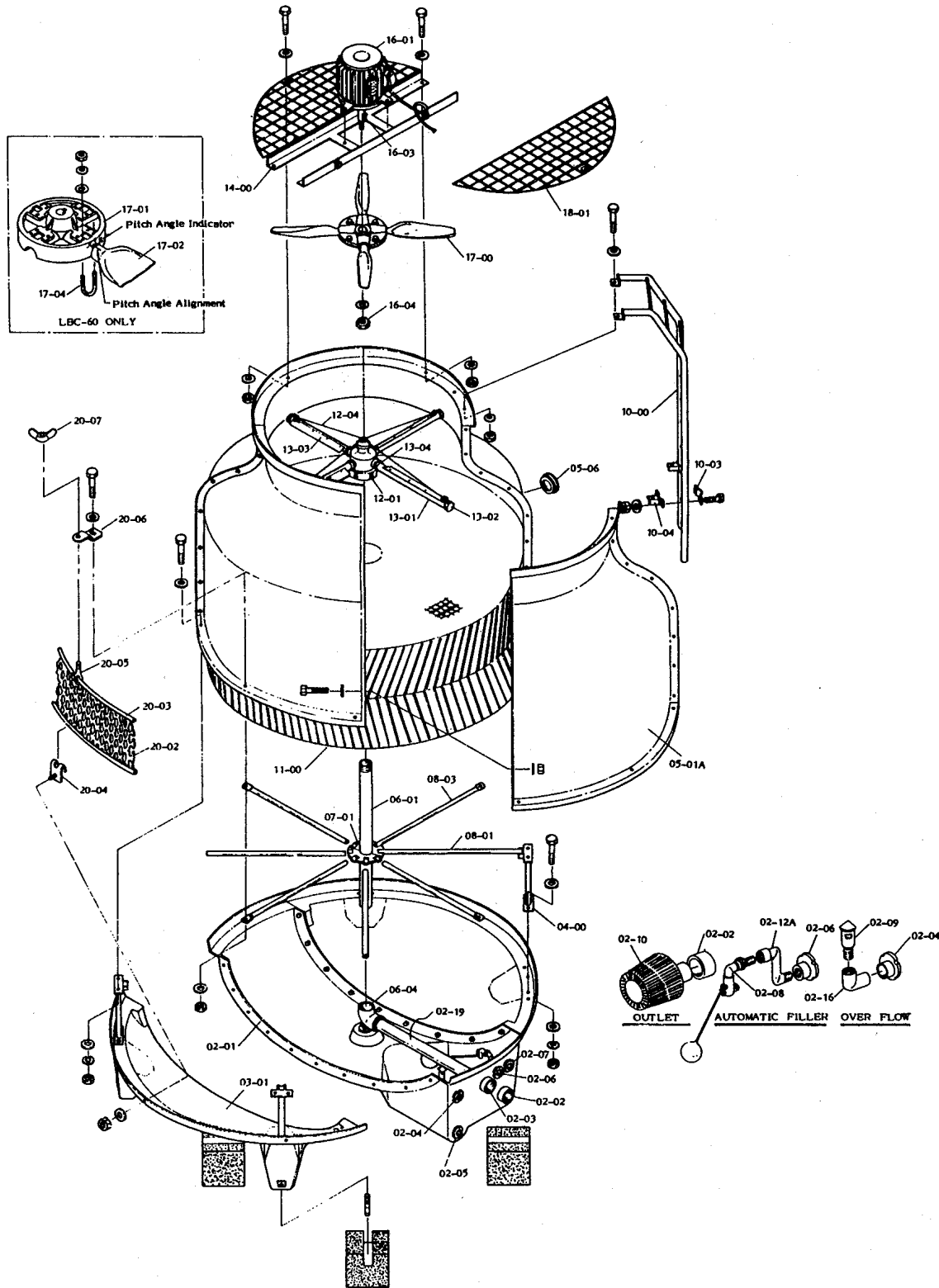
www.coolingtowersystems.com

info@coolingtowersystems.com



Cooling Tower Systems, Inc.

ASSEMBLY DIAGRAM: MODEL T-250



Cooling Tower Systems, Inc.

3170 Mercer University Dr., Macon, GA 31204

TF: 800.752.1905

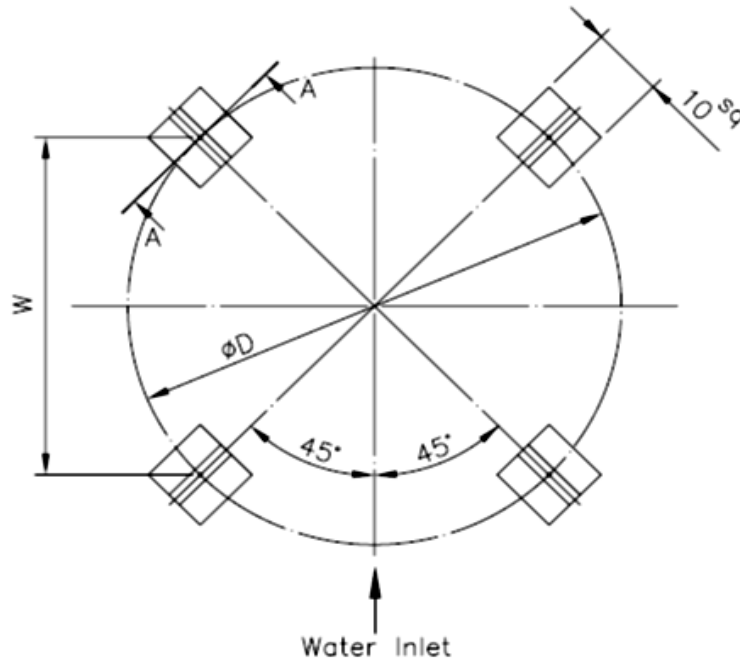
F: 478.755.8304

www.coolingtowersystems.com

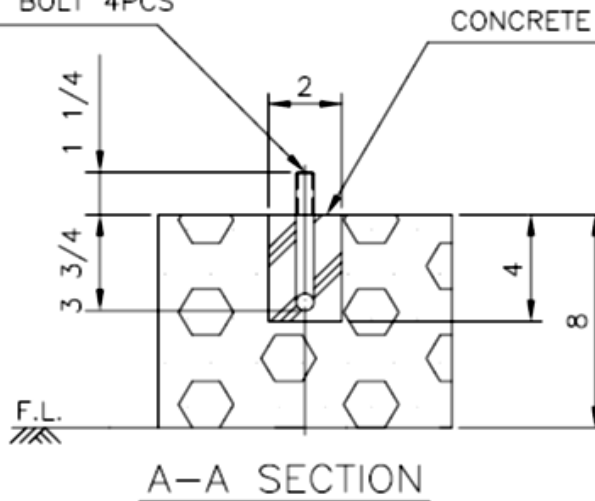
info@coolingtowersystems.com

FOUNDATION DRAWING: MODEL T-250 Cooling Tower Systems, Inc.

T-	øD	W	L TYPE ANCHOR BOLT		
			SIZE	L	PCS
240	57 7/8	40 7/8	W1/2	5	4
250	66 1/8	46 3/4	W1/2	5	4
260	66 1/8	46 3/4	W1/2	5	4



1 1/4" ALL THREAD PROJECTION
W1/2x5L, L TYPE ANCHOR BOLT 4PCS



Cooling Tower Systems, Inc.

3170 Mercer University Dr., Macon, GA 31204

TF: 800.752.1905

F: 478.755.8304

www.coolingtowersystems.com

info@coolingtowersystems.com