



The Best Just Got Better

MODEL T-2500

TOWER SPECIFICATIONS



Cooling Tower Systems, Inc.

196 Lower Cherry Street Macon, GA 31201

TF: 800.752.1905

F: 478.755.8304

www.coolingtowersystems.com

info@coolingtowersystems.com



TOWER SPECIFICATIONS: MODEL T-2500 Cooling Tower Systems, Inc.

Design and Operating Conditions		Water Distribution System Construction Materials	
Tower Type:	Counter Flow Induced Draft	Stand Pipe:	PVC
Water Flow Rate (GPM):	1,505 GPM	Sprinkler Head:	AC
Entering Water Temperature	95°F	Sprinkler Pipes:	PVC
Leaving Water Temperature	85°F	Mechanical Equipment	
Wet Bulb Temperature:	75°F	Fan Unit:	One Unit per Tower
Total Fan BHP:	15 HP	Type:	Axial Flow
Total Pump Head:	13.2'	Manufacturer:	CTS
Drift Loss of Water Flow:	0.1%	Diameter:	117"
Evaporation Loss of Water Flow:	0.93%	Blade Material:	AC
Design Wind Load:	41 lbs/sq. ft.	Hub Material:	AC
Structural Details		Nominal Air Volume:	91,030 CFM
Overall Diameter:	219 5/8"	Fan Motor	
Overall Height:	154 11/16"	Number of motors:	One Unit per Tower
Dry Weight:	5,352 lbs.	Type:	Induction
Operating Weight:	18,028 lbs.	Manufacturer:	CTS
Basic Tower Construction Materials		Insulation:	F Class
Tower Support Frame Assembly	HDGS	Rated HP:	15 HP
Casing:	FRP	Voltage and phase:	208-230/460V/3
Casing Supporters	HDGS	Piping Connections	
Cold Water Basin	FRP	Primary Water Inlet Diameter	10"
Filling:	PVC	Primary Water Outlet Diameter:	10"
Filling Supports:	HDGS	Auto fill inlet diameter:	2"
Fan Guard	HDGS	Quick fill inlet diameter:	2"
Mechanical Equipment Supports:	HDGS	Overflow outlet diameter:	4"
Inlet Louvers:	PVC	Drain diameter:	2"
Bolts, Nuts & Washers:	STS	Water Flow (GPM):	1,505 GPM
Materials Key			
FRP	Fiberglass Reinforced Polyester	STS	Stainless Steel
HDGS	Hot Dipped Galvanized Steel	AC	Aluminum Alloy Cast

Cooling Tower Systems, Inc.

196 Lower Cherry Street Macon, GA 31201

TF: 800.752.1905

F: 478.755.8304

www.coolingtowersystems.com

info@coolingtowersystems.com

PARTS LIST: MODEL T-2500

FOR ASSEMBLY DIAGRAM		
Ref. No.	Description	QTY
01-01	Base Plate - A	6
01-02	Ring Frame	6
01-03	Truss Pipe - A1	6
01-04	Truss Pipe - A2	6
01-06	Tie Rod	6
02-01	Water Sump	1
02-02	Outlet Nozzle	1
02-03	Inlet Nozzle	1
02-04	Over Flow Nozzle	1
02-05	Drain Nozzle	1
02-06	Automatic Filler Nozzle	1
02-08	Float Valve Assembly	2
02-09-01	Over Flow	1
02-09-02	Over Flow Connector Pipe	1
02-10	Suction Strainer	1
02-12A	Connector	1
03-01	Water Basin	12
04-01	Base Plate - B	6
04-02	Stiffener Ring - 1	6
04-03	Truss Pipe - B1	6
04-04	Truss Pipe - A1	6
05-01	Casing (Diffuser)	12
05-02	Casing (Cylinder)	12
05-06	Hand Hole Cover	1
06-01	Stand Pipe	1
06-02	Stand Pipe Base	1
06-03	Packing	1
07-02	Column	1
08-01	Filling Supporter - A	6
08-02	Filling Supporter - B	6
08-03	Filling Supporter - C	18
08-04	Fill Supt. Clamping Band	12
08-06	Filling Supporter - E	-
10-01-1	Ladder (A Section - 1)	1
10-01-2	Ladder (A Section - 2)	-
10-02	Ladder (B Section)	1
10-03	Ladder Bracket - A	2
10-04	Ladder Bracket - B	2
11-01	Filling (Inner Section)	2
11-03	Filling (1/3 Section)	-
11-06	Filling (1/6 Section)	-
11-08	Filling (1/8 Section)	16
11-10	Filling (1/10 Section)	-
12-01	Sprinkler Head	1
12-02	Center Post	1
12-03	Turnbuckle	8
12-04	Tension Wire	8
13-01	Sprinkler Pipe	8
13-02	End Cap	8
13-03	Eliminator	8
14-01	Frame Ass'y Main Pipe	2
14-02	Frame Ass'y Stay Pipe	2
15-01	Motor Base	1
15-02	U-Bolt	4
15-03	U-Bolt	4

16-01	Motor	1
16-02	Speed Reducer	1
16-03	Fan Key	1
16-04	Fasten Nut	1
16-05	Lock Nut	1
17-01	Fan Hub	1
17-02	Fan Blade	4
17-04	U-Bolt	8
18-01	Fan Guard	8
19-00	Basin Supporter Ass'y	12
20-01	Louver Supporter	36
20-01B	Louver Supporter - B	36
20-02	Inlet Louver	12
20-08	Wing Bolt	108
20-09	Plastic Washer	108
OTHERS	Bolts & Nuts	1 SET

FOR TECHNICAL DIAGRAMS			
Item	Description	Material	QTY
1	Fan Motor	-	1 pcs
2	V-Belt Reducer	-	1 set
3	Motor Frame Assembly	HDGS	1 set
4	Fan	AC	1 set
5	Fan Guard	HDGS	1 set
6	Casing	FRP	12 pcs
7	Hand Hole	EVA	1 pcs
8	Sprinkler Head	AC	1 set
9	Sprinkler Pipe	PVC	8 pcs
10	Eliminator	FRP	8 pcs
11	Tension Device	HDGS	1 set
12	Stand Pipe	PVC	1 set
13	Filling	PVC	1 set
14	Stopper or Column	HDGS	1 set
15	Filling Supporter	HDGS	1 set
16	Casing Supporter	HDGS	6 pcs
17	Inlet Louver	PVC	1 set
18	Frame Assembly	HDGS	1 set
19	Water Basin	FRP	12 pcs
20	Water Sump	FRP	1 pcs
21	Ladder	HDGS	1 set
22	Strainer	STS	1 pcs
23	Flange	HDGS	2 pcs
24	Basin Supporter	HDGS	12 pcs

Materials Key	
FRP	Fiberglass Reinforced Polyester
HDGS	Hot Dipped Galvanized Steel
STS	Stainless Steel
AC	Aluminum Alloy Cast
Water Basin Sealing Material	
Fiberglass	1 Set—A
Polyester Resin	1 Keg—B
Catalyst	1 Bottle—C

Cooling Tower Systems, Inc.

196 Lower Cherry Street Macon, GA 31201

TF: 800.752.1905

F: 478.755.8304

www.coolingtowersystems.com

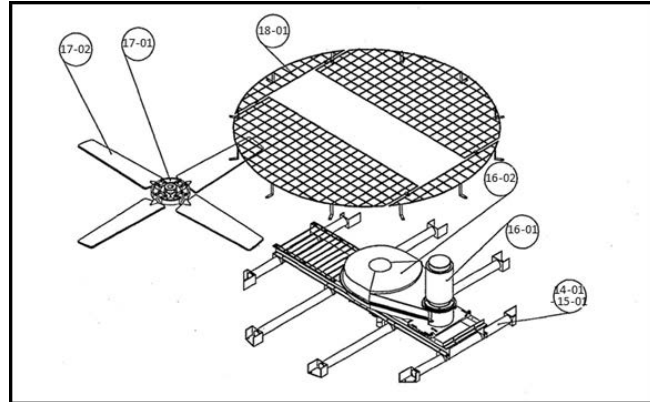
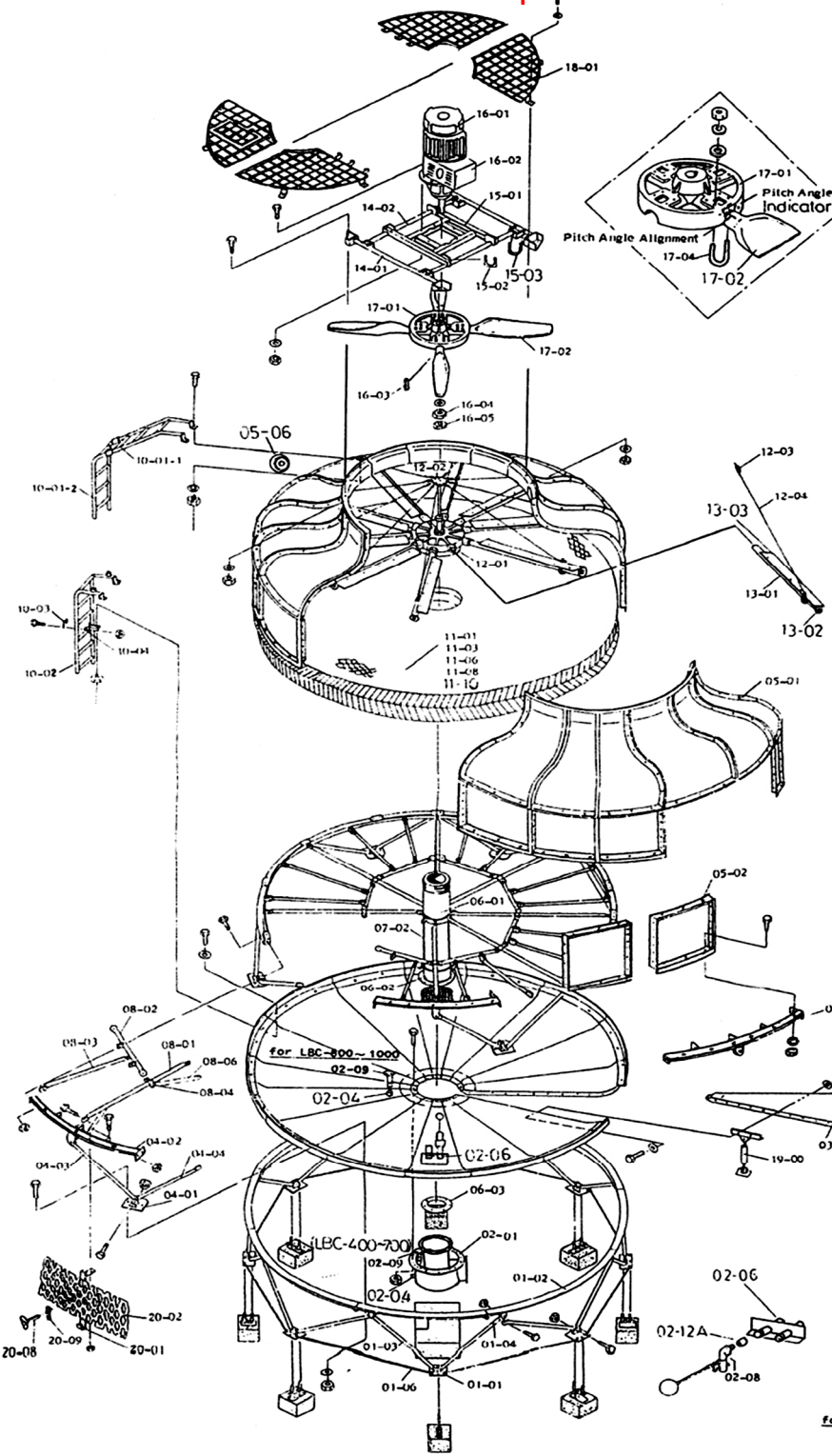
info@coolingtowersystems.com



Cooling Tower Systems, Inc.

ASSEMBLY DIAGRAM: MODEL T-2500

Pictured below is LBM Vbelt speed reducer hook up

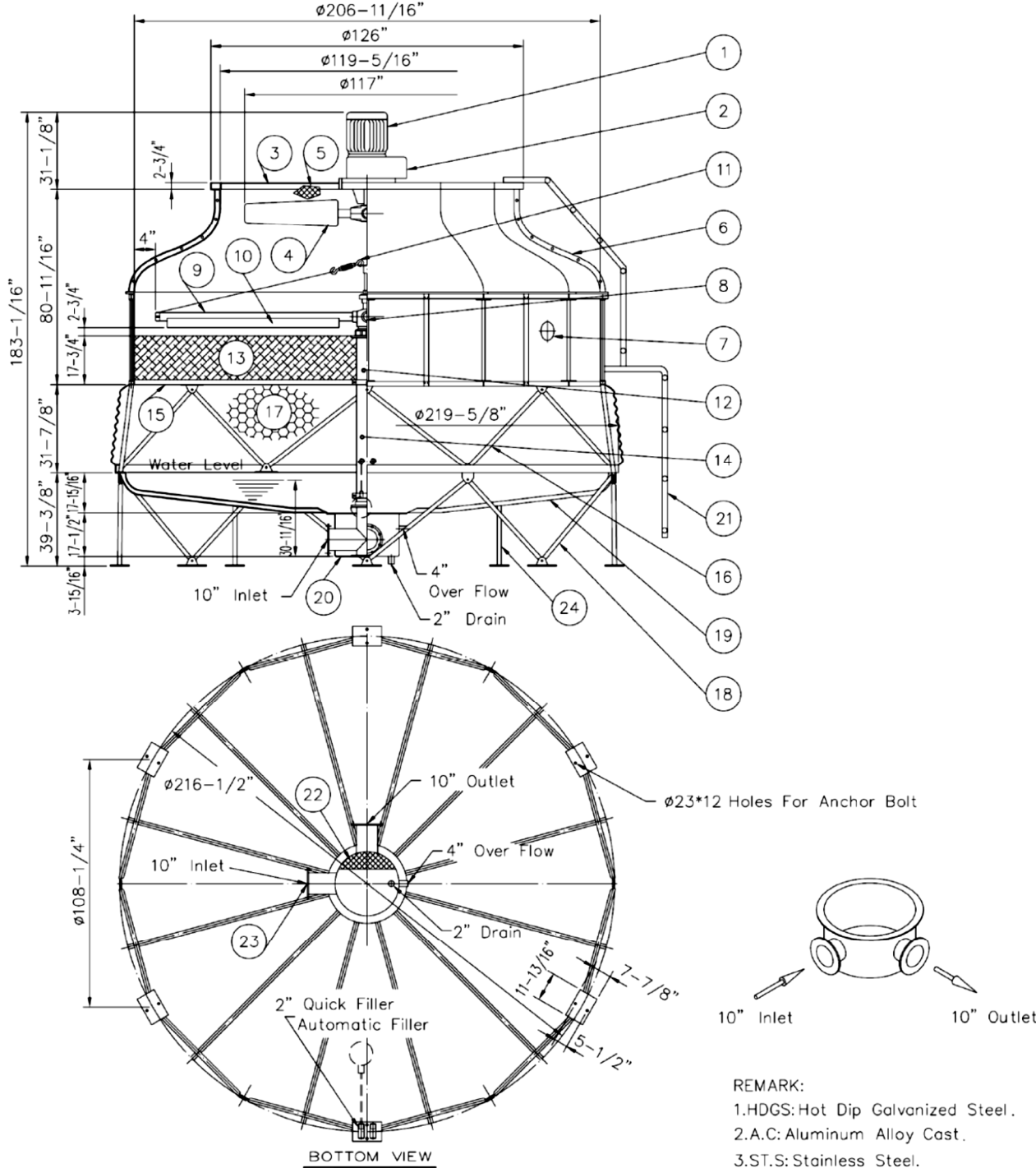


*Pictured above is VBA style right angle drive vbelt speed reducer hook up. All parts are the same but mounting is as shown above.



Cooling Tower Systems, Inc.

TECHNICAL IMAGE A: MODEL T-2500



Cooling Tower Systems, Inc.

196 Lower Cherry Street Macon, GA 31201

TF: 800.752.1905

F: 478.755.8304

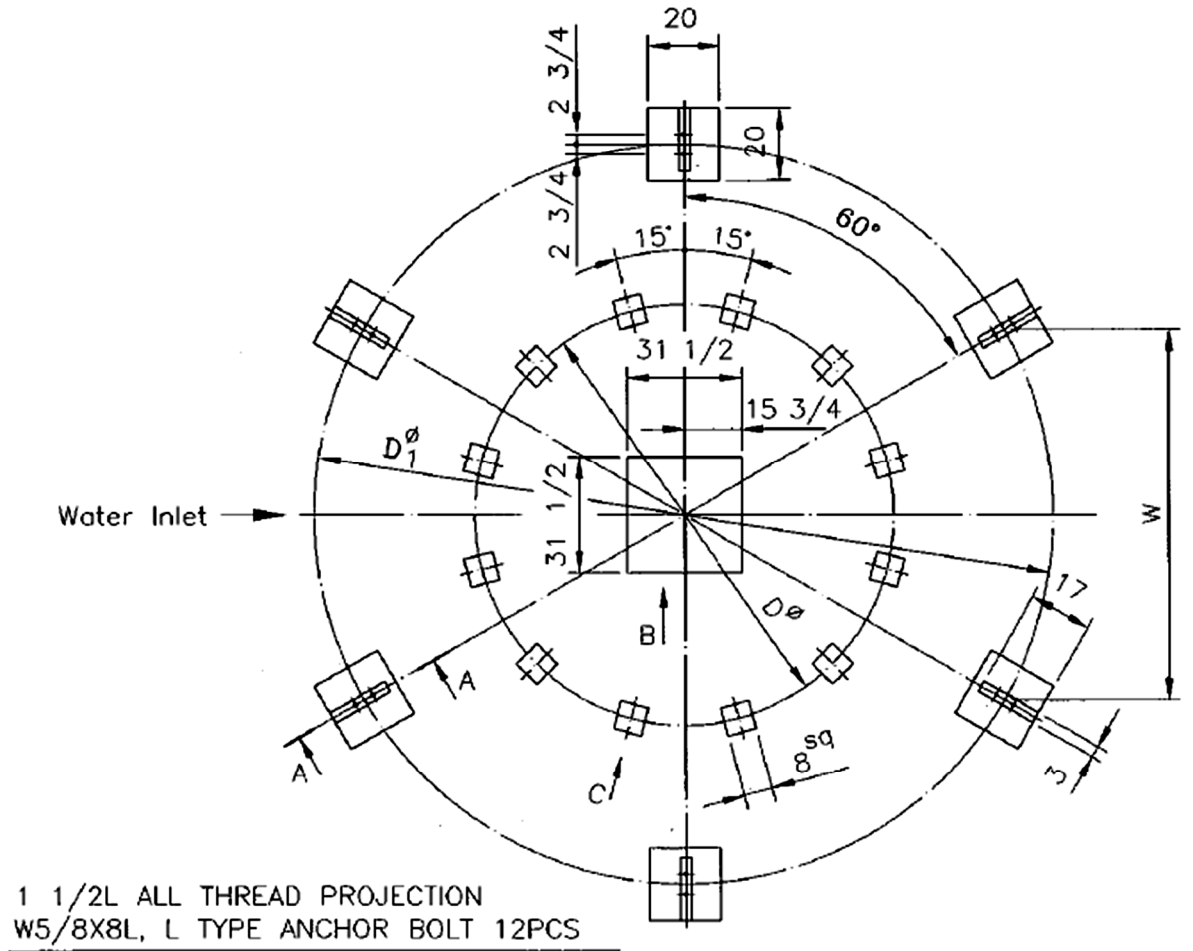
www.coolingtowersystems.com

info@coolingtowersystems.com

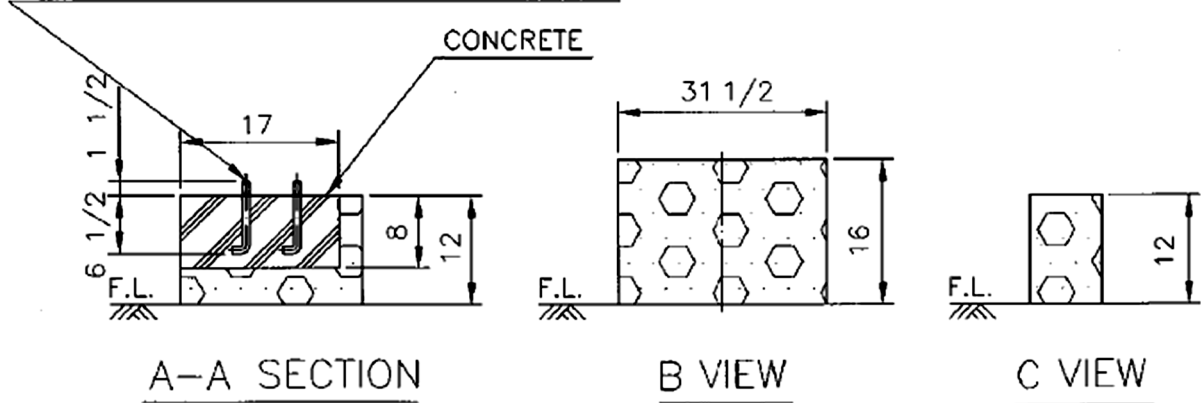


FOUNDATION DRAWING: MODEL T-2500 Cooling Tower Systems, Inc.

T-	∅D	∅D1	W
2400	114 1/2	200 3/4	100 3/8
2500	122	216 1/2	108 1/4



1 1/2" ALL THREAD PROJECTION
W5/8X8L, L TYPE ANCHOR BOLT 12PCS



Cooling Tower Systems, Inc.

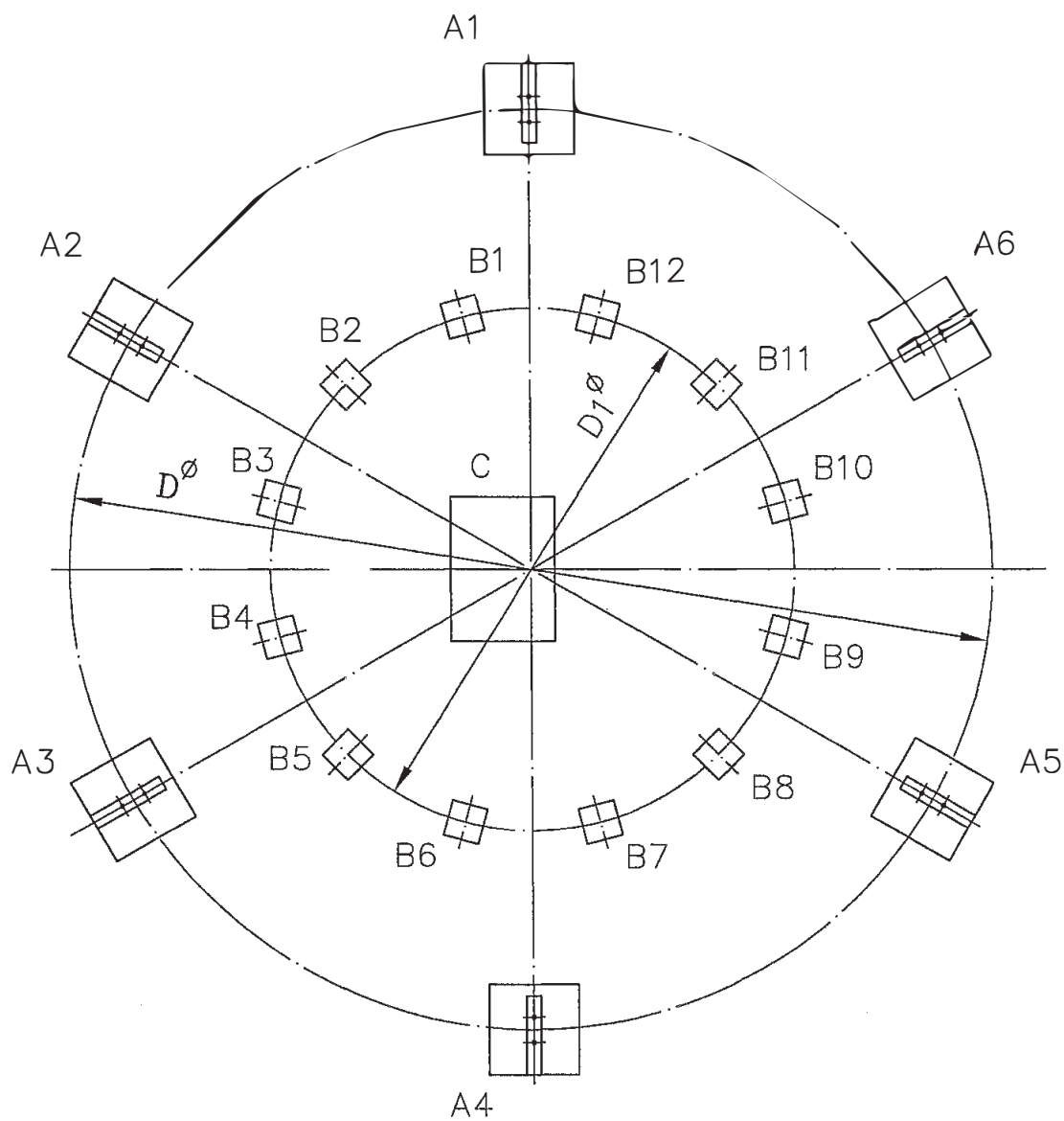
196 Lower Cherry Street Macon, GA 31201

TF: 800.752.1905

F: 478.755.8304

www.coolingtowersystems.com

info@coolingtowersystems.com



TOWER MODEL T-2	ϕD	$\phi D1$	DEAD LOAD		
			A1=...=A6	B1=...=B12	C
400	200 3/4"	114 1/4"	1141lb	223lb	5657lb
500	216 1/2"	122"	1342lb	270lb	6733lb

TOWER MODEL T-2	LIVE LOAD		
	A1=...=A6	B1=...=B12	C
400	356lb	71lb)	1787lb
500	398lb	80lb	1999lb