



The Best Just Got Better

MODEL T-2400 TOWER SPECIFICATIONS



Cooling Tower Systems, Inc.

3170 Mercer University Dr., Macon, GA 31204

TF: 800.752.1905

F: 478.755.8304

www.coolingtowersystems.com

info@coolingtowersystems.com



TOWER SPECIFICATIONS: MODEL T-2400 Cooling Tower Systems, Inc.

Design and Operating Conditions		Water Distribution System Construction Materials	
Tower Type:	Counter Flow Induced Draft	Stand Pipe:	PVC
Water Flow Rate (GPM):	1,190 GPM	Sprinkler Head:	AC
Entering Water Temperature	95°F	Sprinkler Pipes:	PVC
Leaving Water Temperature	85°F	Mechanical Equipment	
Wet Bulb Temperature:	75°F	Fan Unit:	One Unit per Tower
Total Fan BHP:	15 HP	Type:	Axial Flow
Total Pump Head:	13.2'	Manufacturer:	CTS
Drift Loss of Water Flow:	0.1%	Diameter:	117"
Evaporation Loss of Water Flow:	0.93%	Blade Material:	AC
Design Wind Load:	41 lbs/sq. ft.	Hub Material:	AC
Structural Details		Nominal Air Volume:	91,030 CFM
Overall Diameter:	203 7/8"	Fan Motor	
Overall Height:	153 1/8"	Number of motors:	One Unit per Tower
Dry Weight:	4,776 lbs.	Type:	Induction
Operating Weight:	14,984 lbs.	Manufacturer:	CTS
Basic Tower Construction Materials		Insulation:	F Class
Tower Support Frame Assembly	HDGS	Rated HP:	15 HP
Casing:	FRP	Voltage and phase:	220/440V/3
Casing Supporters	HDGS	Piping Connections	
Cold Water Basin	FRP	Primary Water Inlet Diameter	8"
Filling:	PVC	Primary Water Outlet Diameter:	8"
Filling Supports:	HDGS	Auto fill inlet diameter:	2"
Fan Guard	HDGS	Quick fill inlet diameter:	2"
Mechanical Equipment Supports:	HDGS	Overflow outlet diameter:	4"
Inlet Louvers:	PVC	Drain diameter:	2"
Bolts, Nuts & Washers:	STS	Water Flow (GPM):	1,190 GPM
Materials Key			
FRP	Fiberglass Reinforced Polyester	STS	Stainless Steel
HDGS	Hot Dipped Galvanized Steel	AC	Aluminum Alloy Cast

Cooling Tower Systems, Inc.

3170 Mercer University Dr., Macon, GA 31204

TF: 800.752.1905

F: 478.755.8304

www.coolingtowersystems.com

info@coolingtowersystems.com

PARTS LIST: MODEL T-2400

FOR ASSEMBLY DIAGRAM		
Ref. No.	Description	QTY
01-01	Base Plate - A	6
01-02	Ring Frame	6
01-03	Truss Pipe - A1	6
01-04	Truss Pipe - A2	6
01-06	Tie Rod	6
02-01	Water Sump	1
02-02	Outlet Nozzle	1
02-03	Inlet Nozzle	1
02-04	Over Flow Nozzle	1
02-05	Drain Nozzle	1
02-06	Automatic Filler Nozzle	1
02-07	Quick Filler Nozzle	1
02-08	Float Valve Assembly	2
02-09	Over Flow	1
02-10	Suction Strainer	1
02-12A	Connector	1
02-13	Elbow	3
03-01	Water Basin	12
04-01	Base Plate - B	6
04-02	Stiffener Ring - 1	6
04-03	Truss Pipe - B1	6
04-04	Truss Pipe - B2	6
05-01	Casing (Diffuser)	12
05-02	Casing (Cylinder)	12
05-03	Stiffener Ring - 2	6
05-04	Casing Stand	12
05-05	Inserted Bar	12
05-06	Hand Hole Cover	1
06-01	Stand Pipe	1
06-02	Stand Pipe Base	1
06-03	Packing	1
07-02	Column	1
08-01	Filling Supporter - A	6
08-02	Filling Supporter - B	6
08-03	Filling Supporter - C	18
08-04	Fill Supt. Clamping Band	12

FOR ASSEMBLY DIAGRAM		
Ref. No.	Description	QTY
08-06	Filling Supporter - E	-
10-01-1	Ladder (A Section - 1)	1
10-01-2	Ladder (A Section - 2)	-
10-02	Ladder (B Section)	1
10-03	Ladder Bracket - A	2
10-04	Ladder Bracket - B	2
11-01	Filling (Inner Section)	2
11-03	Filling (1/3 Section)	-
11-06	Filling (1/6 Section)	-
11-08	Filling (1/8 Section)	16
12-01	Sprinkler Head	1
12-02	Center Post	1
12-03	Turnbuckle	6
12-04	Tension Wire	6
13-01	Sprinkler Pipe	6
13-02	End Cap	6
13-03	Eliminator	6
14-01	Frame Ass'y Main Pipe	2
14-02	Frame Ass'y Stay Pipe	2
15-01	Motor Base	1
15-02	U-Bolt	4
16-01	Motor	1
16-02	Speed Reducer	1
16-03	Fan Key	1
16-04	Fasten Nut	1
16-05	Lock Nut	1
17-01	Fan Hub	1
17-02	Fan Blade	4
17-04	U-Bolt	8
18-01	Fan Guard	8
19-00	Basin Supporter Ass'y	12
20-01	Louver Supporter	36
20-01B	Louver Supporter - B	36
20-02	Inlet Louver	12
20-08	Wing Bolt	108
20-09	Plastic Washer	108
OTHERS	Bolts & Nuts	1 SET

Cooling Tower Systems, Inc.

3170 Mercer University Dr., Macon, GA 31204

TF: 800.752.1905

F: 478.755.8304

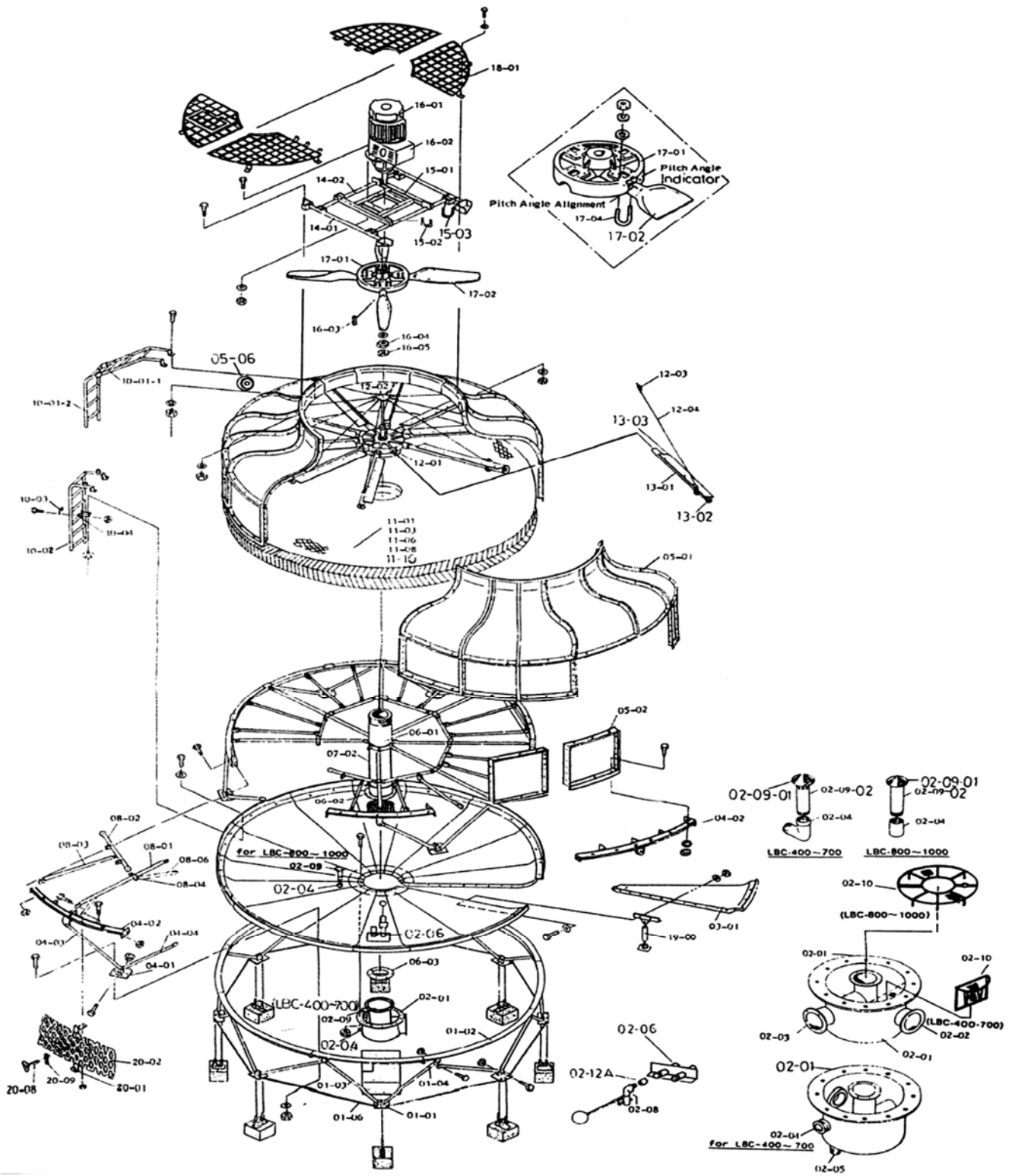
www.coolingtowersystems.com

info@coolingtowersystems.com



ASSEMBLY DIAGRAM: MODEL T-2400

Cooling Tower Systems, Inc.



Cooling Tower Systems, Inc.

3170 Mercer University Dr., Macon, GA 31204

TF: 800.752.1905

F: 478.755.8304

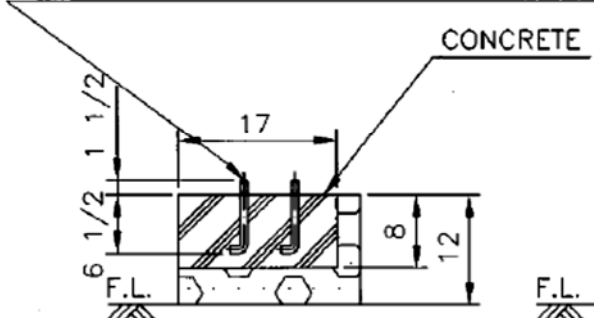
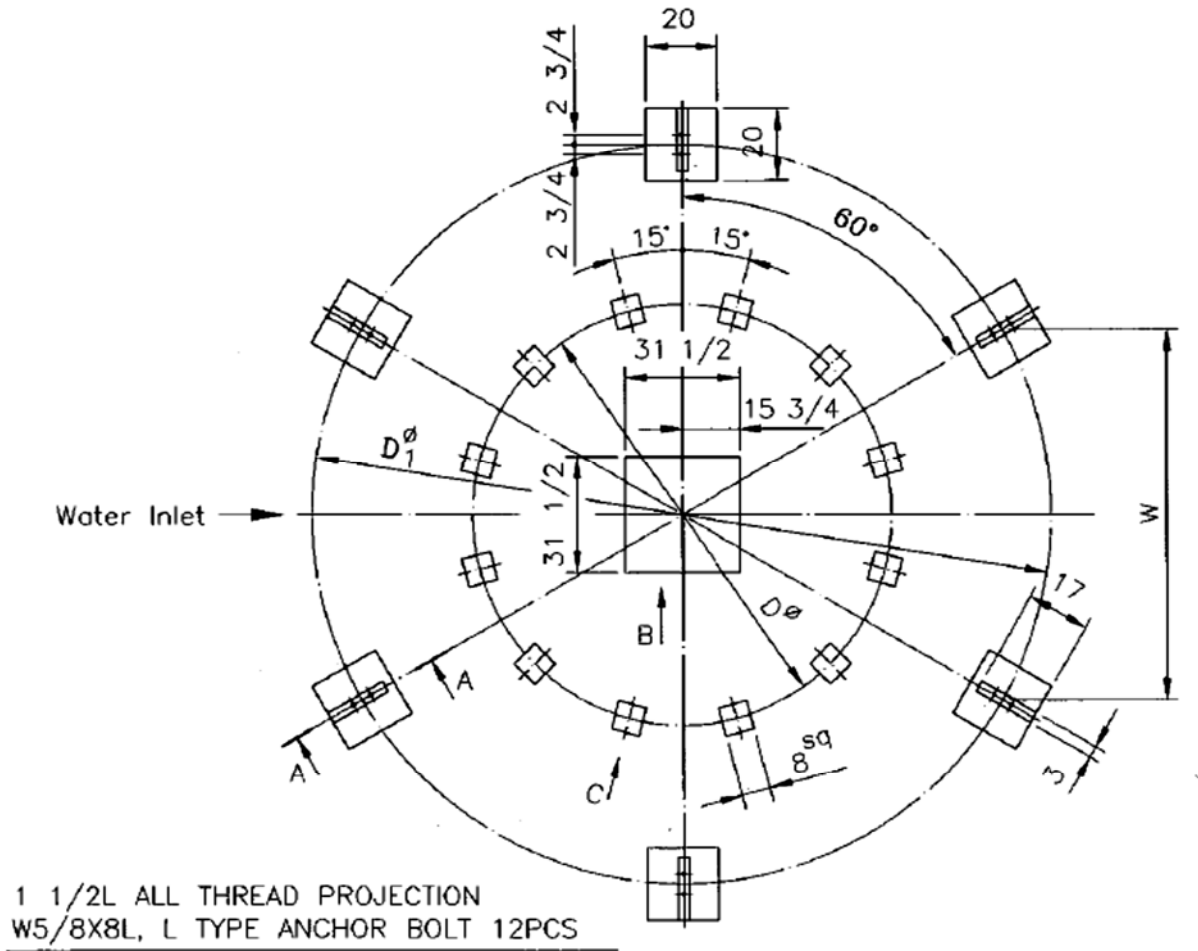
www.coolingtowersystems.com

info@coolingtowersystems.com

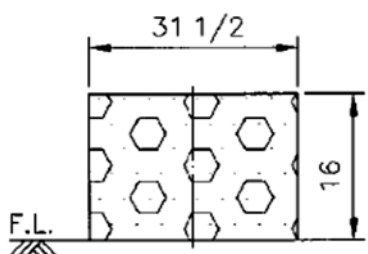


FOUNDATION DRAWING: MODEL T-2400 Cooling Tower Systems, Inc.

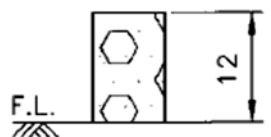
T-	∅D	∅D1	W
2400	114 1/2	200 3/4	100 3/8
2500	122	216 1/2	108 1/4



A-A SECTION



B VIEW



C VIEW

Cooling Tower Systems, Inc.

3170 Mercer University Dr., Macon, GA 31204

TF: 800.752.1905

F: 478.755.8304

www.coolingtowersystems.com

info@coolingtowersystems.com