



The Best Just Got Better

MODEL T-2350 TOWER SPECIFICATIONS





TOWER SPECIFICATIONS: MODEL T-2350 Cooling Tower Systems, Inc.

| Design and Operating Conditions | | Water Distribution System Construction Materials | |
|---|---------------------------------|--|---------------------|
| Tower Type: | Counter Flow Induced Draft | Stand Pipe: | PVC |
| Water Flow Rate (GPM): | 1,036 GPM | Sprinkler Head: | AC |
| Entering Water Temperature | 95°F | Sprinkler Pipes: | PVC |
| Leaving Water Temperature | 85°F | Mechanical Equipment | |
| Wet Bulb Temperature: | 75°F | Fan Unit: | One Unit per Tower |
| Total Fan BHP: | 10 HP | Type: | Axial Flow |
| Total Pump Head: | 13.2' | Manufacturer: | CTS |
| Drift Loss of Water Flow: | 0.1% | Diameter: | 93" |
| Evaporation Loss of Water Flow: | 0.93% | Blade Material: | AC |
| Design Wind Load: | 41 lbs/sq. ft. | Hub Material: | AC |
| Structural Details | | Nominal Air Volume: | 77,020 CFM |
| Overall Diameter: | 188 5/8" | Fan Motor | |
| Overall Height: | 133.5" | Number of motors: | One Unit per Tower |
| Dry Weight: | 2,996 lbs. | Type: | Induction |
| Operating Weight: | 10,164 lbs. | Manufacturer: | CTS |
| Basic Tower Construction Materials | | Insulation: | F Class |
| Tower Support Frame Assembly | HDGS | Rated HP: | 10 HP |
| Casing: | FRP | Voltage and phase: | 220/440V/3 |
| Casing Supporters | HDGS | Piping Connections | |
| Cold Water Basin | FRP | Primary Water Inlet Diameter | 8" |
| Filling: | PVC | Primary Water Outlet Diameter: | 8" |
| Filling Supports: | HDGS | Auto fill inlet diameter: | 1.25" |
| Fan Guard | HDGS | Quick fill inlet diameter: | 1.25" |
| Mechanical Equipment Supports: | HDGS | Overflow outlet diameter: | 2" |
| Inlet Louvers: | PVC | Drain diameter: | 2" |
| Bolts, Nuts & Washers: | STS | Water Flow (GPM): | 1,036 GPM |
| Materials Key | | | |
| FRP | Fiberglass Reinforced Polyester | STS | Stainless Steel |
| HDGS | Hot Dipped Galvanized Steel | AC | Aluminum Alloy Cast |

Cooling Tower Systems, Inc.

3170 Mercer University Dr., Macon, GA 31204

TF: 800.752.1905

F: 478.755.8304

www.coolingtowersystems.com

info@coolingtowersystems.com

PARTS LIST: MODEL T-2350

| FOR ASSEMBLY DIAGRAM | | |
|----------------------|--------------------------|-----|
| Ref. No. | Description | QTY |
| 01-02 | Ring Frame | 8 |
| 01-05 | Truss Pipe Assembly | 4 |
| 02-01 | Water Sump | 1 |
| 02-02 | Outlet Nozzle | 1 |
| 02-03 | Inlet Nozzle | 1 |
| 02-04 | Over Flow Nozzle | 1 |
| 02-05 | Drain Nozzle | 1 |
| 02-06 | Automatic Filler Nozzle | 1 |
| 02-07 | Quick Filler Nozzle | 1 |
| 02-08 | Float Valve Assembly | 1 |
| 02-09 | Over Flow | 1 |
| 02-10 | Suction Strainer | 1 |
| 02-12A | Connector Pipe | 1 |
| 02-13 | Elbow | 2 |
| 02-16 | Elbow | - |
| 03-01 | Water Basin | 8 |
| 04-00 | Casing Supporter | 8 |
| 04-02 | Stiffener Ring - 1 | 8 |
| 05-01A | Casing | 8 |
| 05-06 | Hand Hole Cover | 1 |
| 06-01 | Stand Pipe | 1 |
| 06-02 | Stand Pipe Base | 1 |
| 06-03 | Packing | 1 |
| 07-02 | Column | 1 |
| 08-01 | Filling Supporter - A | 8 |
| 08-02 | Filling Supporter - B | 8 |
| 08-03 | Filling Supporter - C | 16 |
| 08-04 | Fill Supt. Clamping Band | 16 |
| 10-01 | Ladder (A Section) | 1 |
| 10-02 | Ladder (B Section) | 1 |
| 10-03 | Ladder Bracket - A | 2 |
| 10-04 | Ladder Bracket - B | 2 |

| FOR ASSEMBLY DIAGRAM | | |
|----------------------|-------------------------|-------|
| Ref. No. | Description | QTY |
| 11-01 | Filling (Inner Section) | 2 |
| 11-04 | Filling (1/4 Section) | - |
| 11-06 | Filling (1/6 Section) | 12 |
| 12-01 | Sprinkler Head | 1 |
| 12-02 | Center Post | 1 |
| 12-03 | Turnbuckle | 6 |
| 12-04 | Tension Wire | 6 |
| 13-01 | Sprinkler Pipe | 6 |
| 13-02 | End Cap | 6 |
| 13-03 | Eliminator | 6 |
| 14-01 | Frame Ass'y Main Pipe | 2 |
| 14-02 | Frame Ass'y Main Pipe | 2 |
| 15-01 | Motor Base | 1 |
| 15-02 | U-Bolt | 8 |
| 16-01 | Motor | 1 |
| 16-02 | Speed Reducer | 1 |
| 16-03 | Fan Key | 1 |
| 16-04 | Fasten Nut | 1 |
| 16-05 | Lock Nut | 1 |
| 17-01 | Fan Hub | 1 |
| 17-02 | Fan Blade | 4 |
| 17-04 | U-Bolt | 8 |
| 18-01 | Fan Guard | 8 |
| 20-02 | Inlet Louver | 11 |
| 20-03 | PVC Frame | 22 |
| 20-04 | Louver Clip | 32 |
| 20-05 | Louver Hook | 32 |
| 20-06 | Lug Plate | 32 |
| 20-07 | Wing Nut | 32 |
| OTHERS | Bolts & Nuts | 1 SET |

Cooling Tower Systems, Inc.

3170 Mercer University Dr., Macon, GA 31204

TF: 800.752.1905

F: 478.755.8304

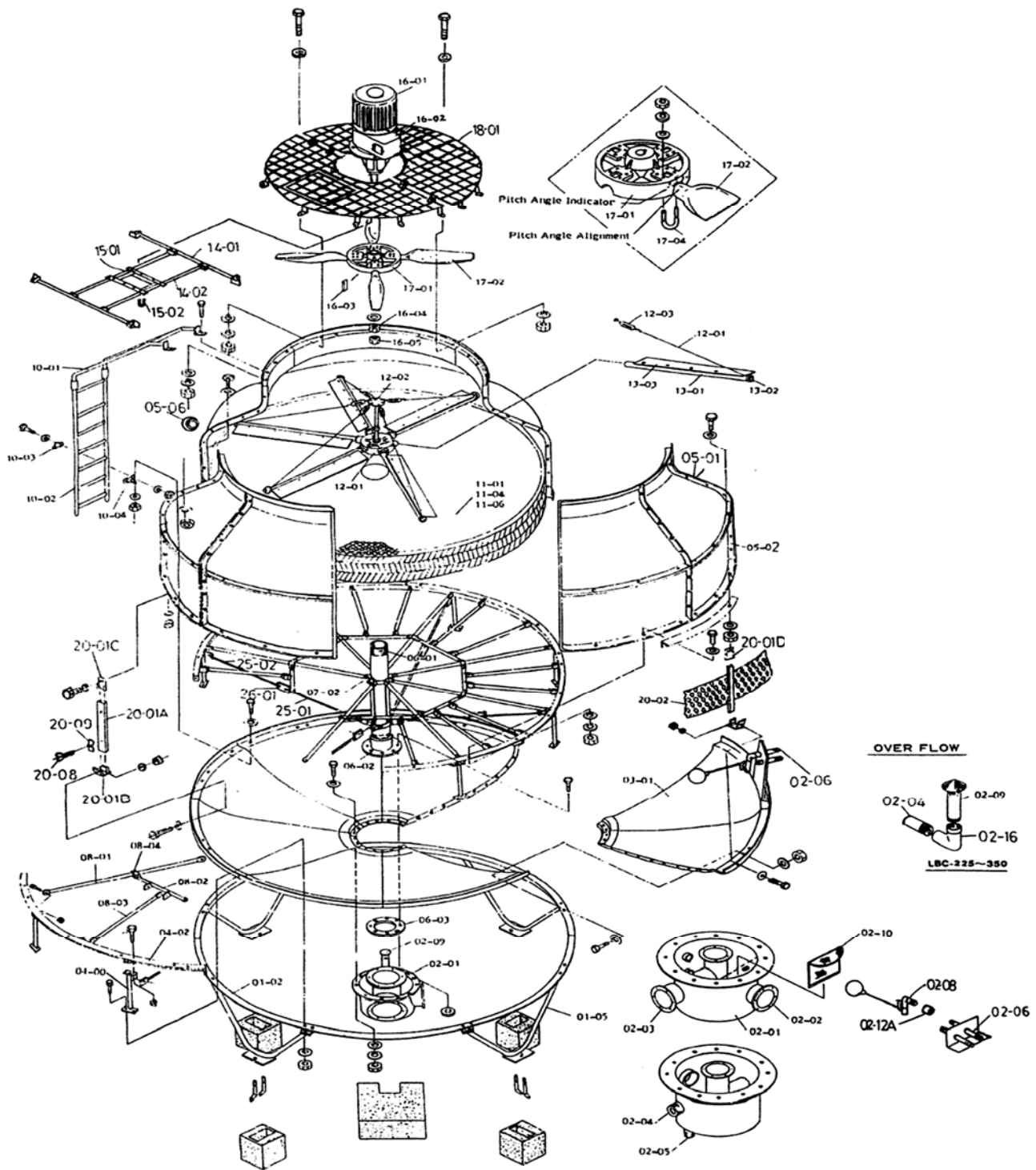
www.coolingtowersystems.com

info@coolingtowersystems.com



ASSEMBLY DIAGRAM: MODEL T-2350

Cooling Tower Systems, Inc.



Cooling Tower Systems, Inc.

3170 Mercer University Dr., Macon, GA 31204

TF: 800.752.1905

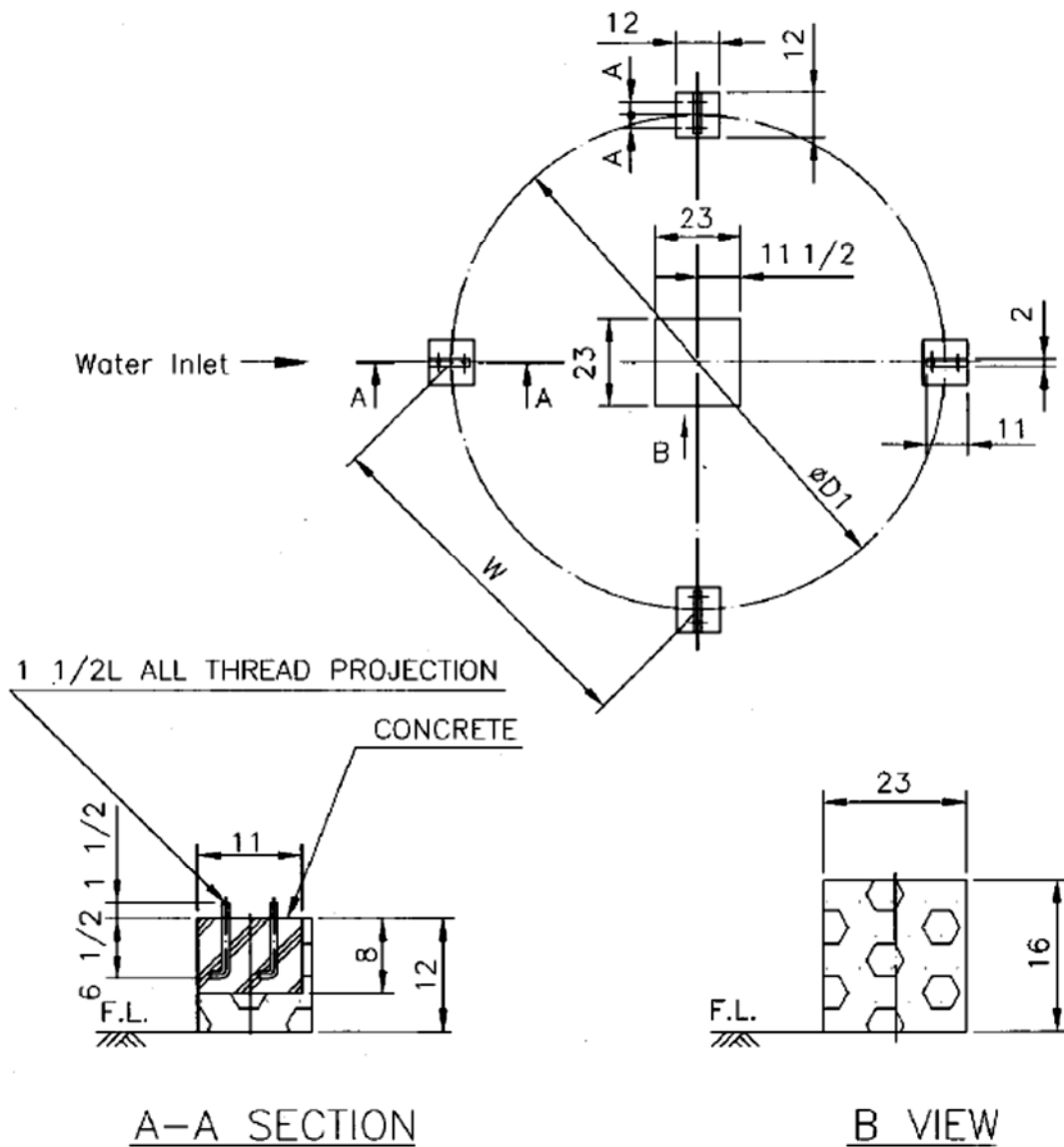
F: 478.755.8304

www.coolingtowersystems.com

info@coolingtowersystems.com

FOUNDATION DRAWING: MODEL T-2350 Cooling Tower Systems, Inc.

| T- | øD1 | W | A | L TYPE ANCHOR BOLT | | |
|-----------|---------|---------|-------|--------------------|---|-----|
| | | | | SIZE | L | PCS |
| 2200 | 132 | 93 3/8 | 2 1/2 | W5/8 | 8 | 8 |
| 2225~2250 | 132 | 93 3/8 | 2 1/2 | W5/8 | 8 | 8 |
| 2300 | 156 1/8 | 110 3/8 | 2 3/4 | W5/8 | 8 | 8 |
| 2350 | 169 1/8 | 119 5/8 | 2 3/4 | W5/8 | 8 | 8 |



Cooling Tower Systems, Inc.

3170 Mercer University Dr., Macon, GA 31204

TF: 800.752.1905

F: 478.755.8304

www.coolingtowersystems.com

info@coolingtowersystems.com