



The Best Just Got Better

MODEL T-230 TOWER SPECIFICATIONS



Cooling Tower Systems, Inc.

3170 Mercer University Dr., Macon, GA 31204

TF: 800.752.1905

F: 478.755.8304

www.coolingtowersystems.com

info@coolingtowersystems.com



TOWER SPECIFICATIONS: MODEL T-230 Cooling Tower Systems, Inc.

| Design and Operating Conditions | | Water Distribution System Construction Materials | |
|------------------------------------|---------------------------------|--|---------------------|
| Tower Type: | Counter Flow Induced Draft | Stand Pipe: | PVC |
| Water Flow Rate (GPM): | 88 GPM | Sprinkler Head: | Nylon |
| Entering Water Temperature | 95°F | Sprinkler Pipes: | PVC |
| Leaving Water Temperature | 85°F | Mechanical Equipment | |
| Wet Bulb Temperature: | 75°F | Fan Unit: | One Unit per Tower |
| Total Fan BHP: | 1 HP | Type: | Axial Flow |
| Total Pump Head: | 6.0' | Manufacturer: | CTS |
| Drift Loss of Water Flow: | 0.1% | Diameter: | 30.25" |
| Evaporation Loss of Water Flow: | 0.93% | Blade Material: | Nylon |
| Design Wind Load: | 30.7 lbs/sq. ft. | Hub Material: | Nylon |
| Structural Details | | Nominal Air Volume: | 7,900 CFM |
| Overall Diameter: | 62.25" | Fan Motor | |
| Overall Height: | 68 3/8" | Number of motors: | One Unit per Tower |
| Dry Weight: | 253 lbs. | Type: | Induction |
| Operating Weight: | 1,074 lbs. | Manufacturer: | CTS |
| Basic Tower Construction Materials | | Insulation: | F Class |
| Tower Support Frame Assembly | FRP | Rated HP: | 1 HP |
| Casing: | FRP | Voltage and phase: | 220/440V/3 |
| Casing Supporters | Nylon | Piping Connections | |
| Cold Water Basin | FRP | Primary Water Inlet Diameter | 2.5" |
| Filling: | PVC | Primary Water Outlet Diameter: | 2.5" |
| Filling Supports: | PVC | Auto fill inlet diameter: | 1/2" |
| Fan Guard | HDGS | Quick fill inlet diameter: | - |
| Mechanical Equipment Supports: | HDGS | Overflow outlet diameter: | 1" |
| Inlet Louvers: | PVC | Drain diameter: | 1" |
| Bolts, Nuts & Washers: | STS | Water Flow (GPM): | 88 GPM |
| Materials Key | | | |
| FRP | Fiberglass Reinforced Polyester | STS | Stainless Steel |
| HDGS | Hot Dipped Galvanized Steel | AC | Aluminum Alloy Cast |

Cooling Tower Systems, Inc.

3170 Mercer University Dr., Macon, GA 31204

TF: 800.752.1905

F: 478.755.8304

www.coolingtowersystems.com

info@coolingtowersystems.com

PARTS LIST: MODEL T-230

| FOR TECHNICAL DIAGRAMS | | | | FOR ASSEMBLY DIAGRAM | | |
|------------------------|----------------------|----------|-------|----------------------|-------------------------|-------|
| Item No. | Description | Material | QTY | Ref. No. | Description | QTY |
| 1 | Fan Motor | - | 1 pcs | 02-02 | Outlet Nozzle | 1 |
| 2 | V-Belt Reducer | - | - | 02-03 | Inlet Nozzle | 1 |
| 3 | Motor Frame Assembly | HDGS | 1 set | 02-04 | Over Flow Nozzle | 1 |
| 4 | Fan Blade Assembly | Nylon | 1 set | 02-05 | Drain Nozzle | 1 |
| 5 | Fan Guard | PP | 1 set | 02-06 | Automatic Filler Nozzle | 1 |
| 6 | Casing | FRP | 3 pcs | 02-07 | Quick Filler Nozzle | 1 |
| 7 | Hand Hole | EVA | 1 pcs | 02-08 | Float Valve Assembly | 1 |
| 8 | Sprinkler Head | Nylon | 1 set | 02-09 | Over Flow | 1 |
| 9 | Sprinkler Pipes | PVC | 4 pcs | 02-10 | Suction Strainer | 1 |
| 10 | Eliminator | - | - | 02-12A | Z Type Connector | 1 |
| 11 | Tension Device | - | - | 02-16 | Elbow | 1 |
| 12 | Stand Pipe | PVC | 1 set | 02-19 | Inlet Pipe | 1 |
| 13 | Filling | PVC | 1 set | 03-00 | Water Basin | 1 |
| 14 | Stopper or Column | PP | 1 set | 04-00 | Casing Supporter | 3 |
| 15 | Filling Supporter | PVC | 1 set | 05-01A | Casing | 3 |
| 16 | Casing Supporter | Nylon | 3 pcs | 05-06 | Hand Hole Cover | 1 |
| 17 | Inlet Louver | PVC | 1 set | 06-01 | Stand Pipe | 1 |
| 18 | Frame Assembly | - | - | 06-04 | Stand Pipe Base | 1 |
| 19 | Water Basin | FRP | 1 pcs | 07-01 | Stopper | 1 |
| 20 | Water Sump | - | - | 08-01 | Filling Supporter - A | 4 |
| 21 | Ladder | - | - | 11-00 | Filling | 2 |
| 22 | Strainer | PE | 1 pcs | 12-01 | Sprinkler Head | 1 |
| 23 | Flange | - | - | 13-01 | Sprinkler Pipe | 4 |
| 24 | Basin Supporter | - | - | 13-02 | End Cap | 4 |
| | | | | 13-03 | Eliminator | 4 |
| | | | | 13-04 | Lock Nut | 4 |
| | | | | 14-00 | Motor Frame Assembly | 1 |
| | | | | 16-01 | Fan Motor | 1 |
| | | | | 16-03 | Fan Key | 1 |
| | | | | 16-04 | Fasten Nut | 1 |
| | | | | 17-00 | Fan Assembly | 1 |
| | | | | 18-01 | Fan Guard | 1 |
| | | | | 20-02 | Inlet Louver | 4 |
| | | | | 20-10 | Louver Bracket | 8 |
| | | | | 20-11 | Knob Pin | 8 |
| | | | | OTHERS | Bolts & Nuts | 1 SET |

| Materials Key | |
|---------------|---------------------------------|
| FRP | Fiberglass Reinforced Polyester |
| HDGS | Hot Dipped Galvanized Steel |
| STS | Stainless Steel |
| AC | Aluminum Alloy Cast |

Cooling Tower Systems, Inc.

3170 Mercer University Dr., Macon, GA 31204

TF: 800.752.1905

F: 478.755.8304

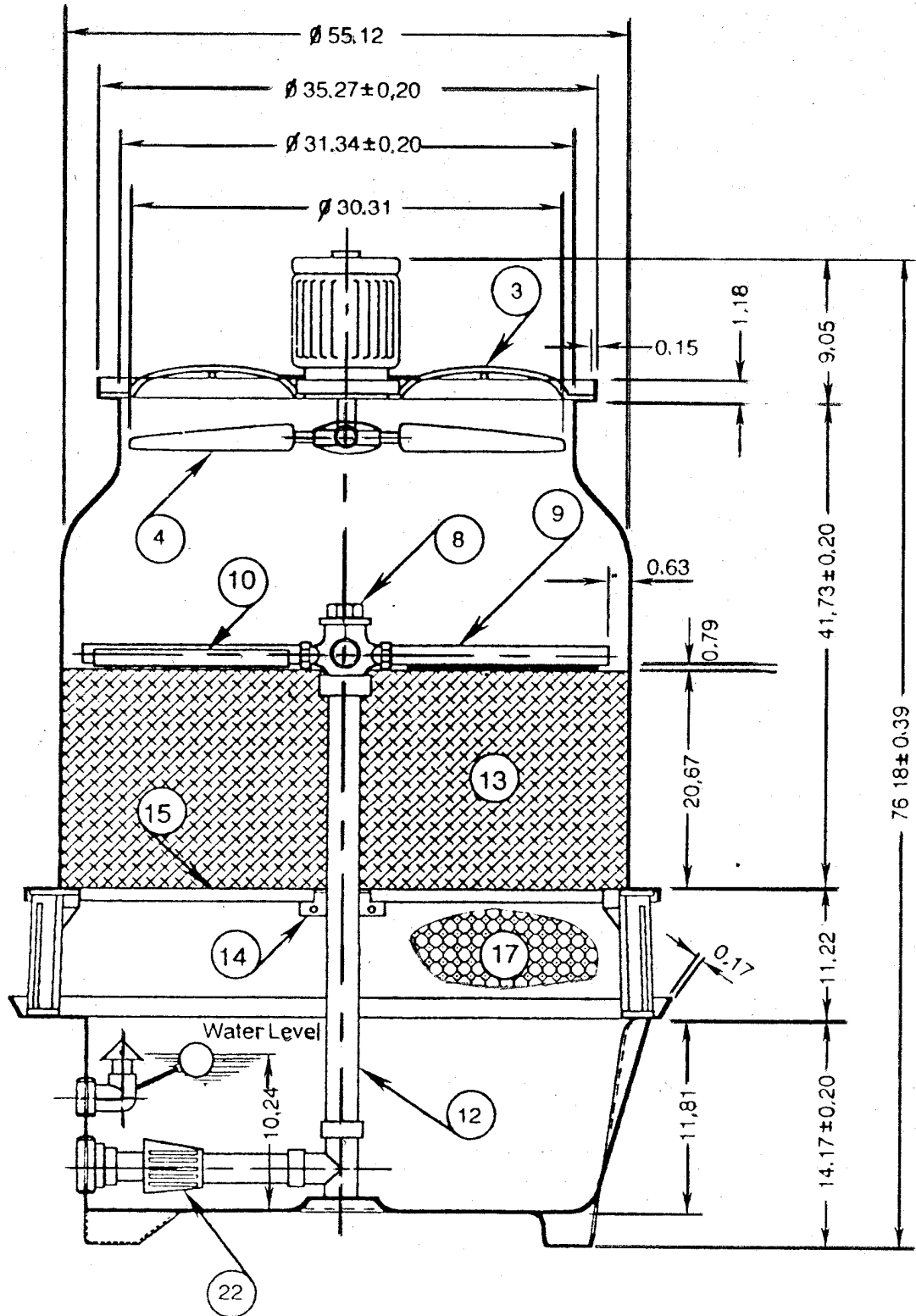
www.coolingtowersystems.com

info@coolingtowersystems.com



Cooling Tower Systems, Inc.

TECHNICAL IMAGE A: MODEL T-230



Cooling Tower Systems, Inc.

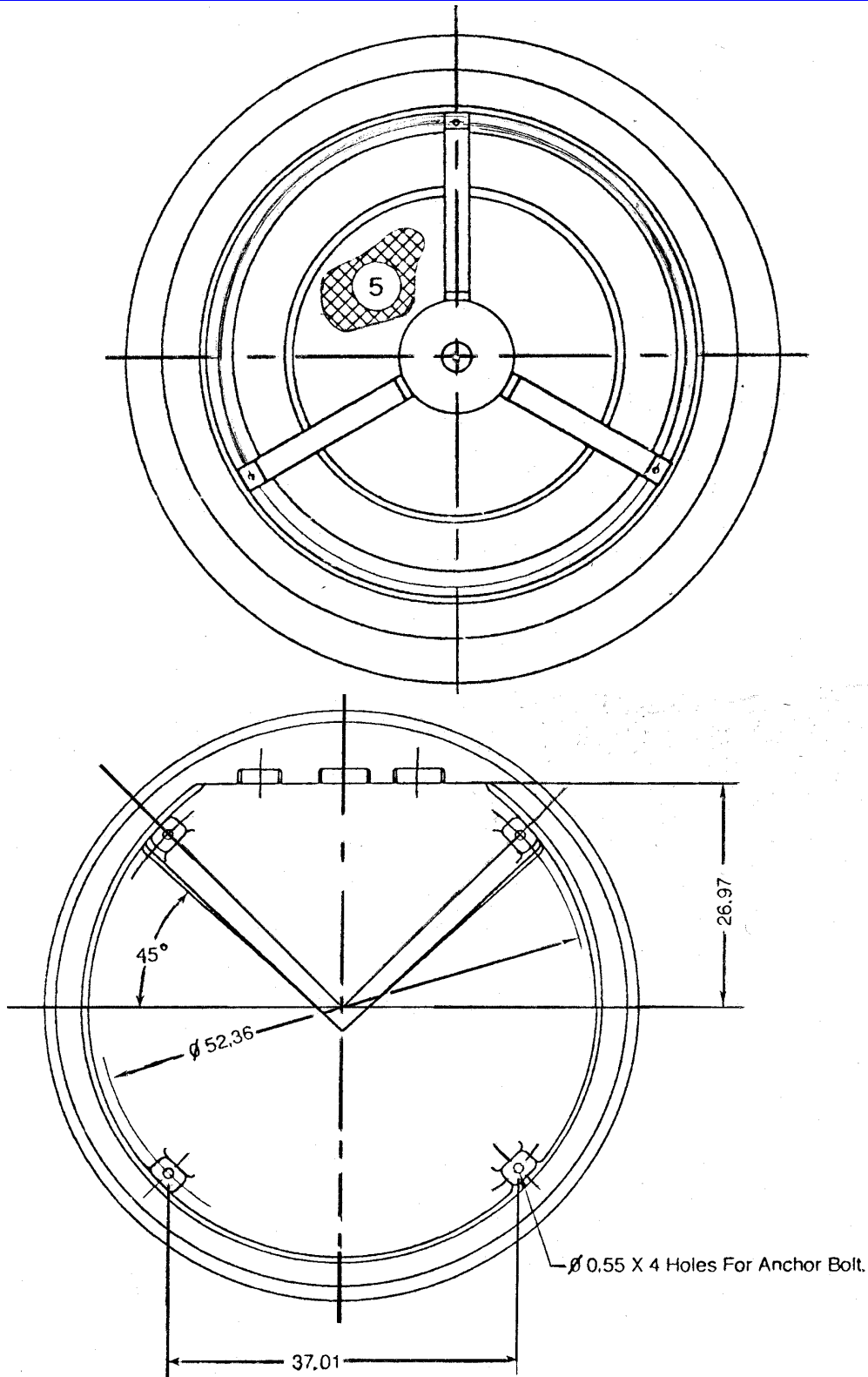
3170 Mercer University Dr., Macon, GA 31204

TF: 800.752.1905

F: 478.755.8304

www.coolingtowersystems.com

info@coolingtowersystems.com



Cooling Tower Systems, Inc.

3170 Mercer University Dr., Macon, GA 31204

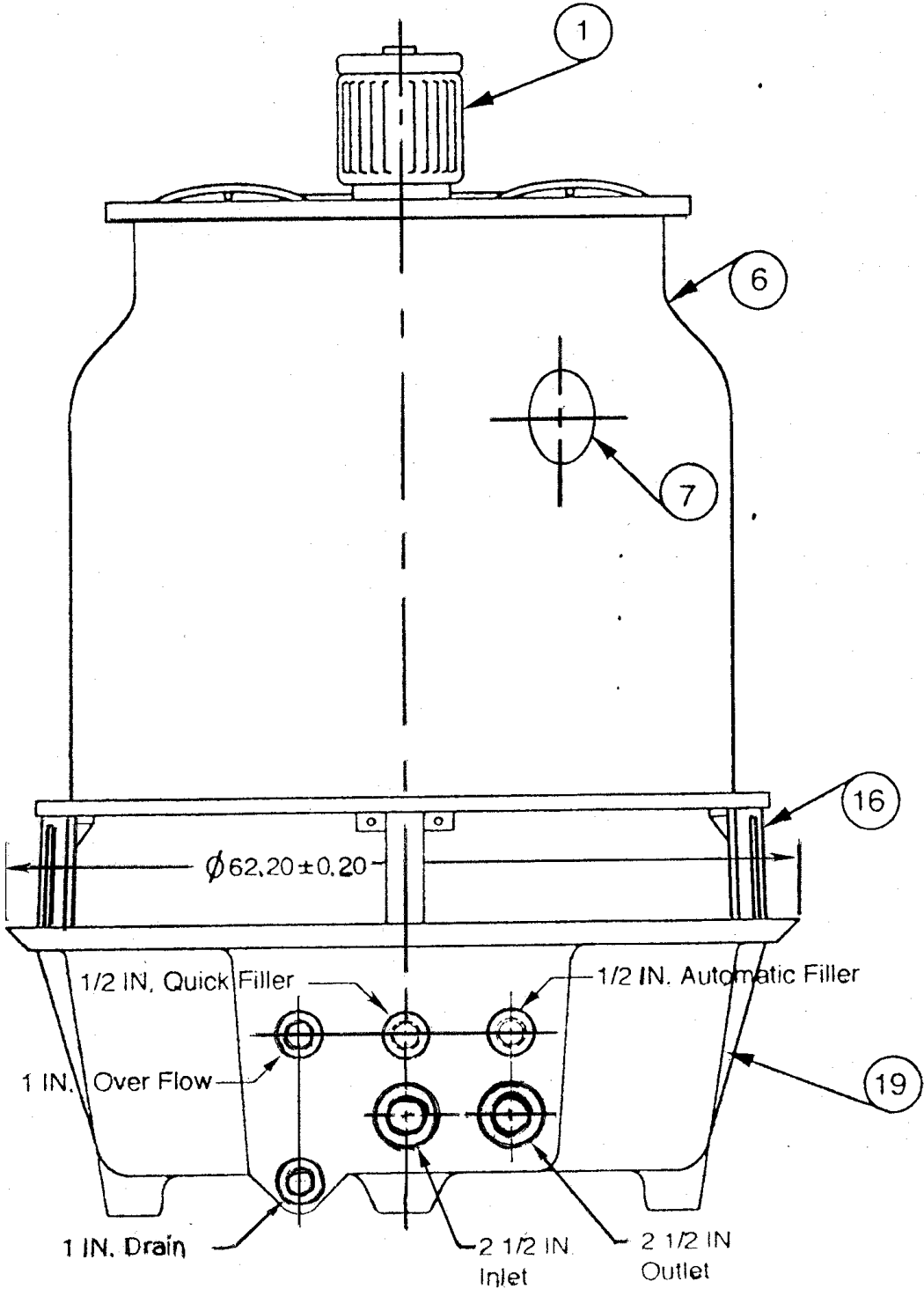
TF: 800.752.1905

F: 478.755.8304

www.coolingtowersystems.com

info@coolingtowersystems.com

TECHNICAL IMAGE D: MODEL T-230



Cooling Tower Systems, Inc.

3170 Mercer University Dr., Macon, GA 31204

TF: 800.752.1905

F: 478.755.8304

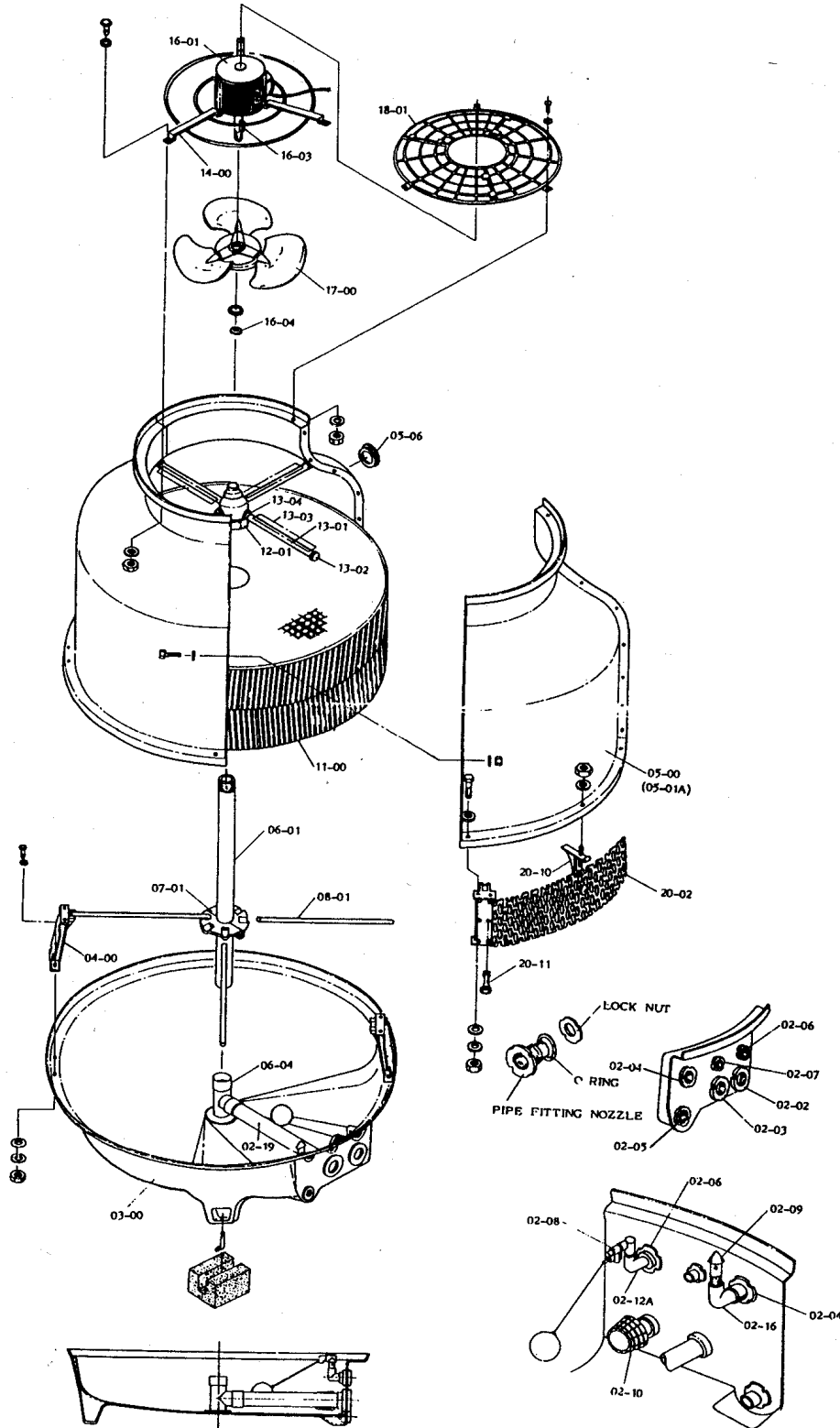
www.coolingtowersystems.com

info@coolingtowersystems.com



ASSEMBLY DIAGRAM: MODEL T-230

Cooling Tower Systems, Inc.



Cooling Tower Systems, Inc.

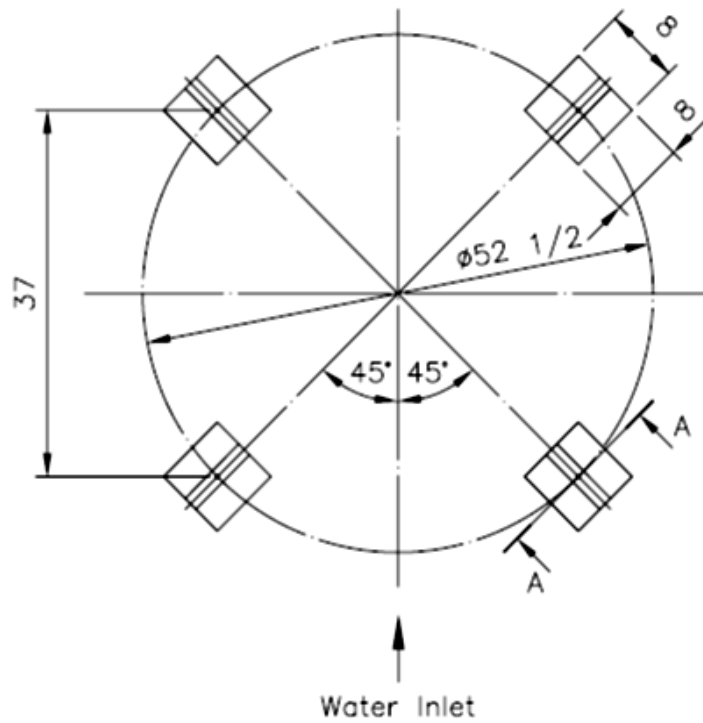
3170 Mercer University Dr., Macon, GA 31204

TF: 800.752.1905

F: 478.755.8304

www.coolingtowersystems.com

info@coolingtowersystems.com



1 1/4L ALL THREAD PROJECTION
 W1/2x5L, L TYPE ANCHOR BOLT 4PCS

