



# MODEL T-230 TOWER SPECIFICATIONS





# TOWER SPECIFICATIONS: MODEL T-230 Cooling Tower Systems, Inc.

Design and Operating Conditions		Water Distribution System Construction Materials	
Tower Type:	Counter Flow Induced Draft	Stand Pipe:	PVC
Water Flow Rate (GPM):	88 GPM	Sprinkler Head:	Nylon
Entering Water Temperature	95°F	Sprinkler Pipes:	PVC
Leaving Water Temperature	85°F	<b>Mechanical Equipment</b>	
Wet Bulb Temperature:	75°F	Fan Unit:	One Unit per Tower
Total Fan BHP:	1 HP	Type:	Axial Flow
Total Pump Head:	6.0'	Manufacturer:	CTS
Drift Loss of Water Flow:	0.1%	Diameter:	30.25"
Evaporation Loss of Water Flow:	0.93%	Blade Material:	Nylon
Design Wind Load:	30.7 lbs/sq. ft.	Hub Material:	Nylon
<b>Structural Details</b>		Nominal Air Volume:	7,900 CFM
Overall Diameter:	62.25"	<b>Fan Motor</b>	
Overall Height:	68 3/8"	Number of motors:	One Unit per Tower
Dry Weight:	253 lbs.	Type:	Induction
Operating Weight:	1,074 lbs.	Manufacturer:	CTS
<b>Basic Tower Construction Materials</b>		Insulation:	F Class
Tower Support Frame Assembly	FRP	Rated HP:	1 HP
Casing:	FRP	Voltage and phase:	220/440V/3
Casing Supporters	Nylon	<b>Piping Connections</b>	
Cold Water Basin	FRP	Primary Water Inlet Diameter	2.5"
Filling:	PVC	Primary Water Outlet Diameter:	2.5"
Filling Supports:	PVC	Auto fill inlet diameter:	1/2"
Fan Guard	HDGS	Quick fill inlet diameter:	-
Mechanical Equipment Supports:	HDGS	Overflow outlet diameter:	1"
Inlet Louvers:	PVC	Drain diameter:	1"
Bolts, Nuts & Washers:	STS	Water Flow (GPM):	88 GPM
<b>Materials Key</b>			
FRP	Fiberglass Reinforced Polyester	STS	Stainless Steel
HDGS	Hot Dipped Galvanized Steel	AC	Aluminum Alloy Cast

## Cooling Tower Systems, Inc.

3170 Mercer University Dr., Macon, GA 31204

TF: 800.752.1905

F: 478.755.8304

www.coolingtowersystems.com

info@coolingtowersystems.com



# PARTS LIST: MODEL T-230

Cooling Tower Systems, Inc.

FOR ASSEMBLY DIAGRAM			FOR ASSEMBLY DIAGRAM		
Ref. No.	Description	QTY	Ref. No.	Description	QTY
02-02	Outlet Nozzle	1	13-03	Eliminator	4
02-03	Inlet Nozzle	1	13-04	Lock Nut	4
02-04	Over Flow Nozzle	1	14-00	Motor Frame Assembly	1
02-05	Drain Nozzle	1	16-01	Fan Motor	1
02-06	Automatic Filler Nozzle	1	16-03	Fan Key	1
02-07	Quick Filler Nozzle	1	16-04	Fasten Nut	1
02-08	Float Valve Assembly	1	17-00	Fan Assembly	1
02-09	Over Flow	1	18-01	Fan Guard	1
02-10	Suction Strainer	1	20-02	Inlet Louver	4
02-12A	Z Type Connector	1	20-10	Louver Bracket	8
02-16	Elbow	1	20-11	Knob Pin	8
02-19	Inlet Pipe	1	OTHERS	Bolts & Nuts	1 SET
03-00	Water Basin	1			
04-00	Casing Supporter	3			
05-01A	Casing	3			
05-06	Hand Hole Cover	1			
06-01	Stand Pipe	1			
06-04	Stand Pipe Base	1			
07-01	Stopper	1			
08-01	Filling Supporter - A	4			
11-00	Filling	2			
12-01	Sprinkler Head	1			
13-01	Sprinkler Pipe	4			
13-02	End Cap	4			

Cooling Tower Systems, Inc.

3170 Mercer University Dr., Macon, GA 31204

TF: 800.752.1905

F: 478.755.8304

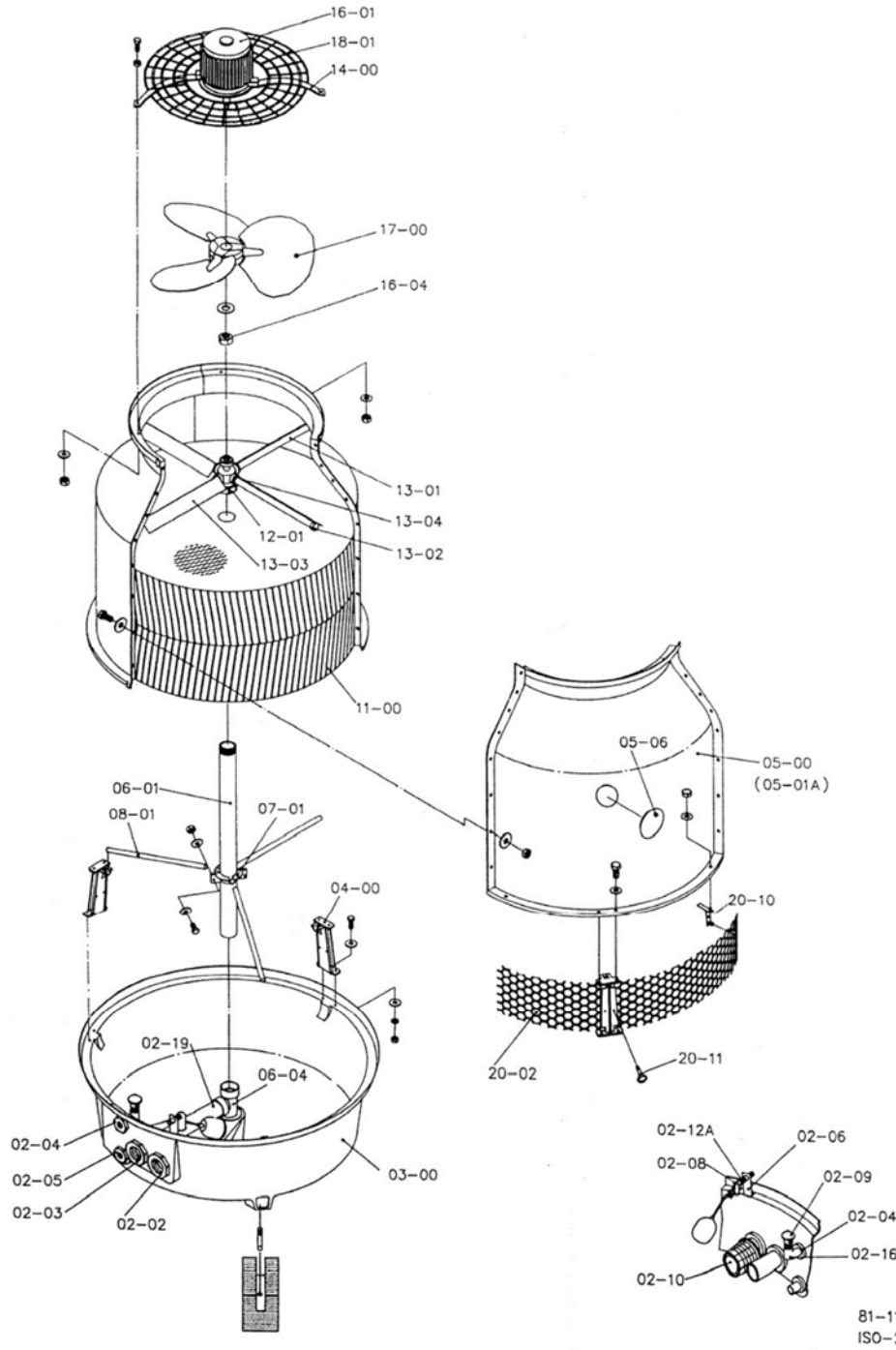
www.coolingtowersystems.com

info@coolingtowersystems.com



Cooling Tower Systems, Inc.

# ASSEMBLY DIAGRAM: MODEL T-230



Cooling Tower Systems, Inc.

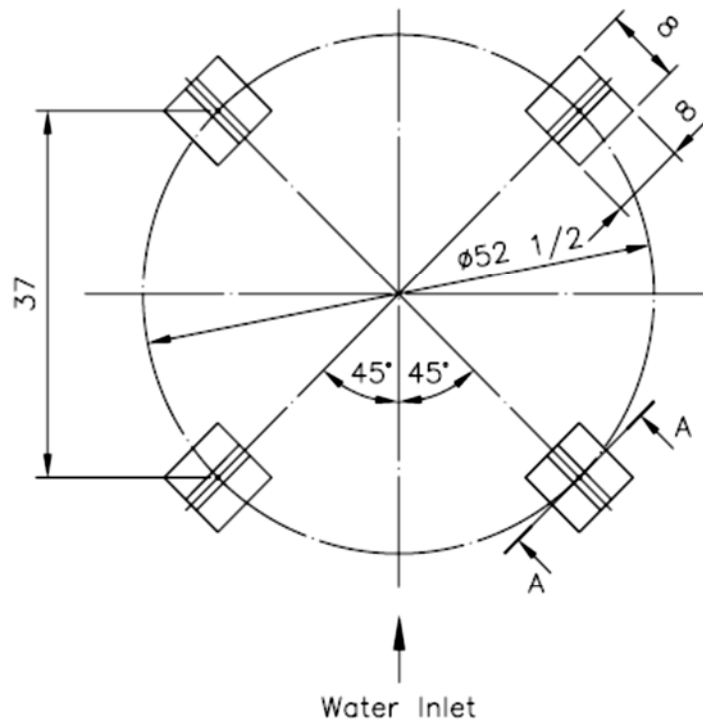
3170 Mercer University Dr., Macon, GA 31204

TF: 800.752.1905

F: 478.755.8304

www.coolingtowersystems.com

info@coolingtowersystems.com



1 1/4" ALL THREAD PROJECTION  
 W1/2x5L, L TYPE ANCHOR BOLT 4PCS

