



MODEL T-230 TOWER SPECIFICATIONS





TOWER SPECIFICATIONS: MODEL T-230 Cooling Tower Systems, Inc.

Design and Operating Conditions		Water Distribution System Construction Materials	
Tower Type:	Counter Flow Induced Draft	Stand Pipe:	PVC
Water Flow Rate (GPM):	88 GPM	Sprinkler Head:	Nylon
Entering Water Temperature	95°F	Sprinkler Pipes:	PVC
Leaving Water Temperature	85°F	Mechanical Equipment	
Wet Bulb Temperature:	75°F	Fan Unit:	One Unit per Tower
Total Fan BHP:	1 HP	Type:	Axial Flow
Total Pump Head:	6.0'	Manufacturer:	CTS
Drift Loss of Water Flow:	0.1%	Diameter:	30.25"
Evaporation Loss of Water Flow:	0.93%	Blade Material:	Nylon
Design Wind Load:	30.7 lbs/sq. ft.	Hub Material:	Nylon
Structural Details		Nominal Air Volume:	8,100 CFM
Overall Diameter:	62.25"	Fan Motor	
Overall Height:	68 3/8"	Number of motors:	One Unit per Tower
Dry Weight:	223 lbs.	Type:	Induction
Operating Weight:	1,205 lbs.	Manufacturer:	CTS
Basic Tower Construction Materials		Insulation:	F Class
Tower Support Frame Assembly	FRP	Rated HP:	1 HP
Casing:	FRP	Voltage and phase:	220/440V/3
Casing Supporters	Nylon	Piping Connections	
Cold Water Basin	FRP	Primary Water Inlet Diameter	2.5"
Filling:	PVC	Primary Water Outlet Diameter:	2.5"
Filling Supports:	PVC	Auto fill inlet diameter:	1/2"
Fan Guard	HDGS	Quick fill inlet diameter:	-
Mechanical Equipment Supports:	HDGS	Overflow outlet diameter:	1"
Inlet Louvers:	PVC	Drain diameter:	1"
Bolts, Nuts & Washers:	STS	Water Flow (GPM):	88 GPM
Materials Key			
FRP	Fiberglass Reinforced Polyester	STS	Stainless Steel
HDGS	Hot Dipped Galvanized Steel	AC	Aluminum Alloy Cast

Cooling Tower Systems, Inc.

196 Lower Cherry Street Macon, GA 31201

TF: 800.752.1905

F: 478.755.8304

www.coolingtowersystems.com

info@coolingtowersystems.com



Cooling Tower Systems, Inc.

PARTS LIST: MODEL T-230

FOR ASSEMBLY DIAGRAM			FOR TECHNICAL DIAGRAMS			
Ref. No.	Description	QTY	Item No.	Description	Material	QTY
02-02	Outlet Nozzle	1	1	Fan Motor	-	1 pcs
02-03	Inlet Nozzle	1	2	V-Belt Reducer	-	-
02-04	Over Flow Nozzle	1	3	Motor Frame Assembly	HDGS	1 set
02-05	Drain Nozzle	1	4	Fan Blade Assembly	Nylon	1 set
02-06	Automatic Filler Nozzle	1	5	Fan Guard	PP	1 set
02-08	Float Valve Assembly	1	6	Casing	FRP	3 pcs
02-09	Over Flow	1	7	Hand Hole	EVA	1 pcs
02-10	Suction Strainer	1	8	Sprinkler Head	Nylon	1 set
02-12A	Connector	1	9	Sprinkler Pipes	PVC	4 pcs
02-16	Elbow	1	10	Eliminator	-	-
02-19	Inlet Pipe	1	11	Tension Device	-	-
03-00	Water Basin	1	12	Stand Pipe	PVC	1 set
04-00	Casing Supporter	3	13	Filling	PVC	1 set
05-01A	Casing	3	14	Stopper or Column	PP	1 set
05-06	Hand Hole Cover	1	15	Filling Supporter	PVC	1 set
06-01	Stand Pipe	1	16	Casing Supporter	Nylon	3 pcs
06-04	Stand Pipe Base	1	17	Inlet Louver	PVC	1 set
07-01	Stopper	1	18	Frame Assembly	-	-
08-01	Filling Supporter - A	4	19	Water Basin	FRP	1 pcs
11-00	Filling	2	20	Water Sump	-	-
12-01	Sprinkler Head	1	21	Ladder	-	-
13-01	Sprinkler Pipe	4	22	Strainer	PE	1 pcs
13-02	End Cap	4	23	Flange	-	-
13-03	Eliminator	4	24	Basin Supporter	-	-
13-04	Lock Nut	4				
14-00	Motor Frame Assembly	1				
16-01	Fan Motor	1				
16-03	Fan Key	1				
16-04	Fasten Nut	1				
17-00	Fan Assembly	1				
18-01	Fan Guard	1				
20-02	Inlet Louver	4				
20-10	Louver Bracket	8				
20-11	Knob Pin	8				
OTHERS	Bolts & Nuts	1 SET				

Materials Key	
FRP	Fiberglass Reinforced Polyester
HDGS	Hot Dipped Galvanized Steel
STS	Stainless Steel
AC	Aluminum Alloy Cast

Cooling Tower Systems, Inc.

196 Lower Cherry Street Macon, GA 31201

TF: 800.752.1905

F: 478.755.8304

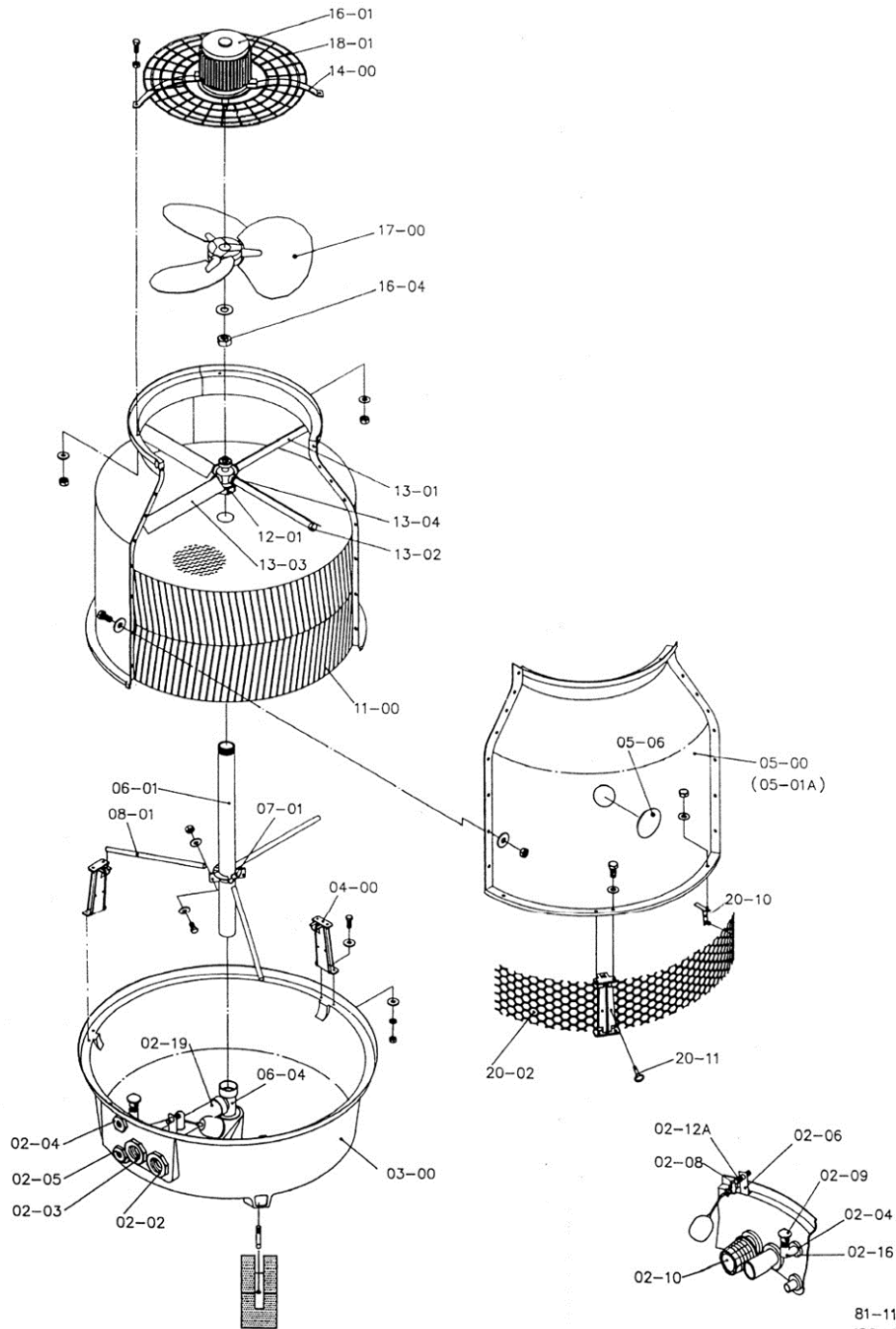
www.coolingtowersystems.com

info@coolingtowersystems.com



ASSEMBLY DIAGRAM: MODEL T-230

Cooling Tower Systems, Inc.



81-11-26-8
ISO-25-C.DWG

Cooling Tower Systems, Inc.

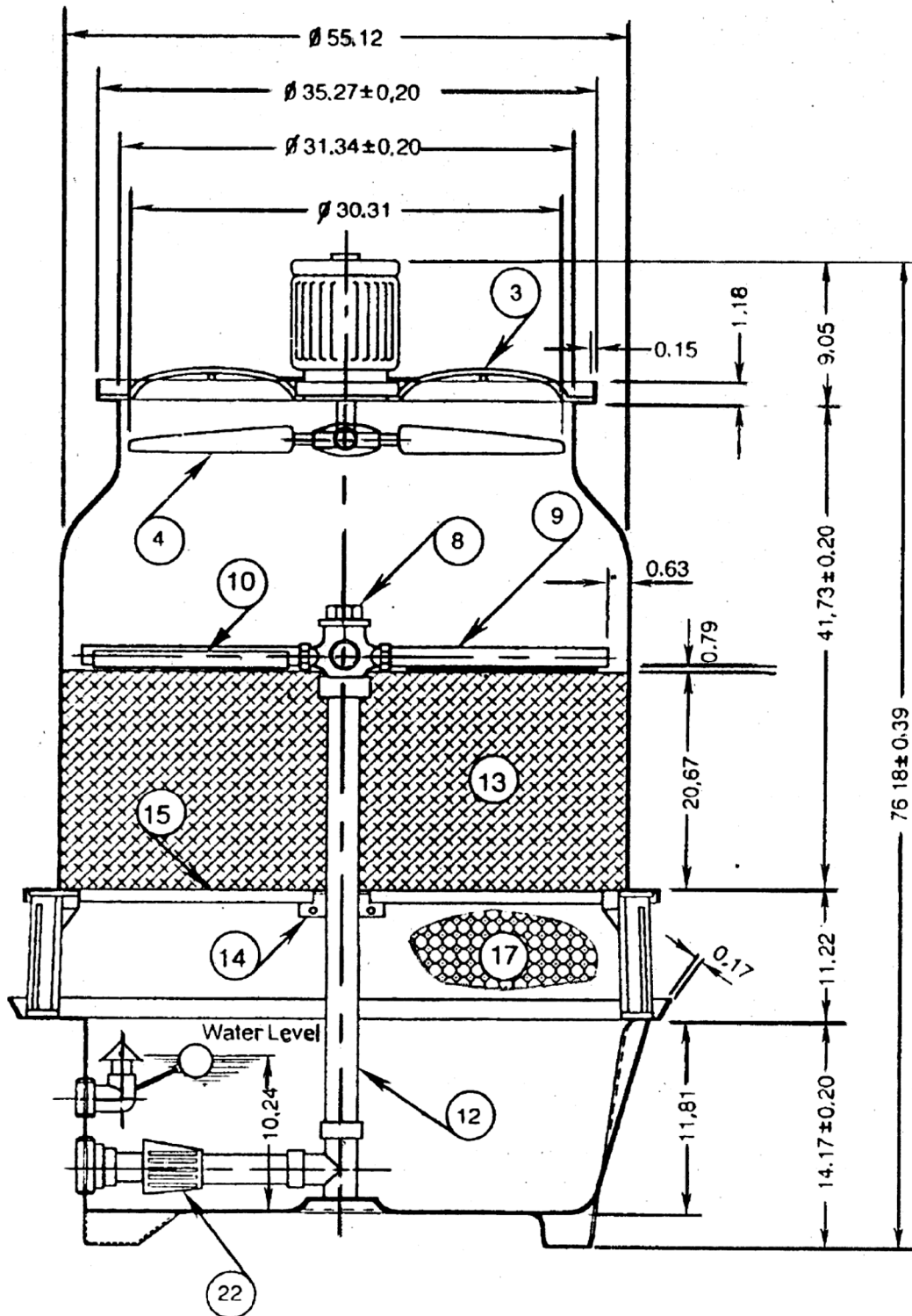
196 Lower Cherry Street Macon, GA 31201

TF: 800.752.1905

F: 478.755.8304

www.coolingtowersystems.com

info@coolingtowersystems.com



Cooling Tower Systems, Inc.

196 Lower Cherry Street Macon, GA 31201

TF: 800.752.1905

F: 478.755.8304

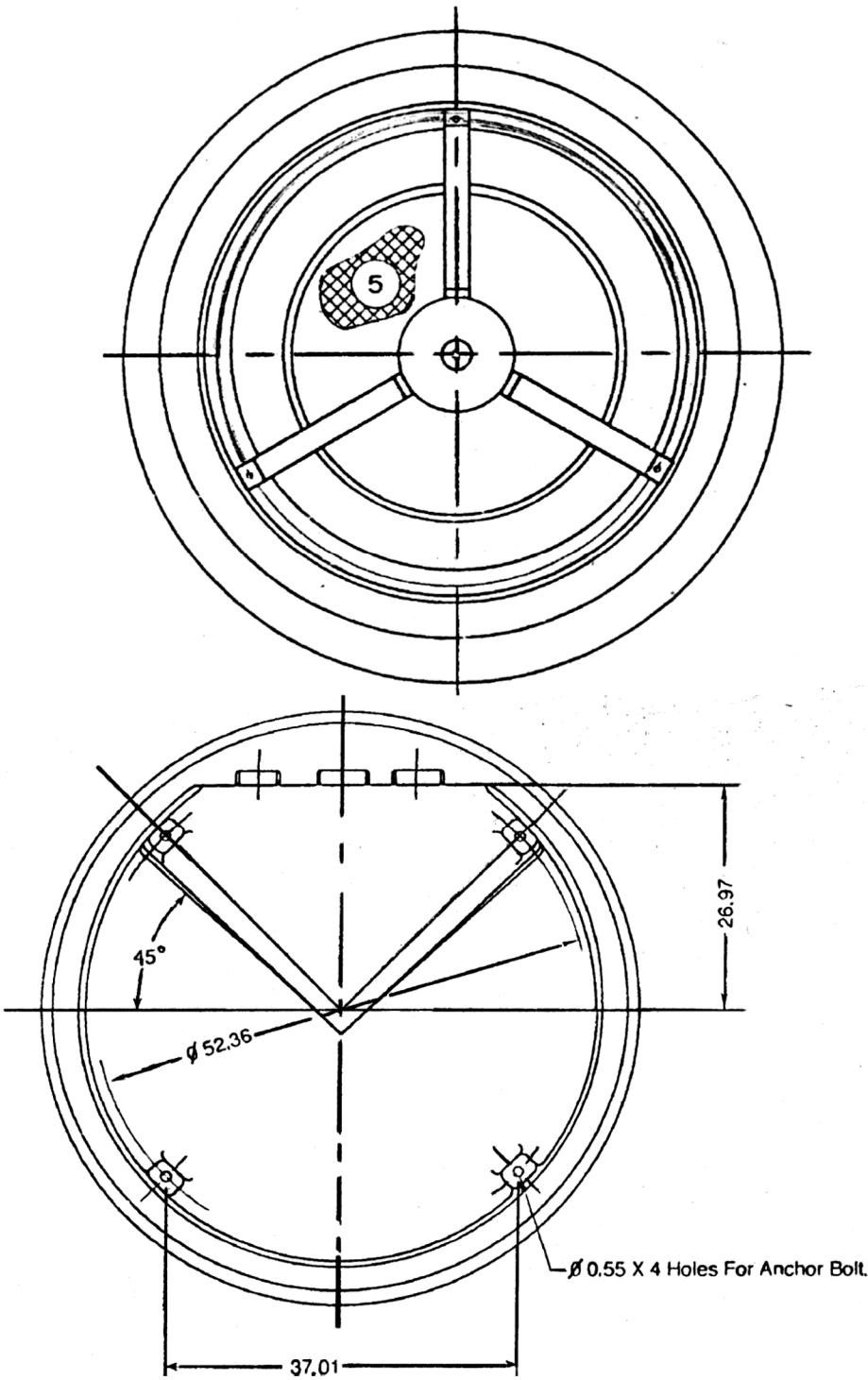
www.coolingtowersystems.com

info@coolingtowersystems.com



TECHNICAL IMAGE B & C MODEL T-230

Cooling Tower Systems, Inc.



Cooling Tower Systems, Inc.

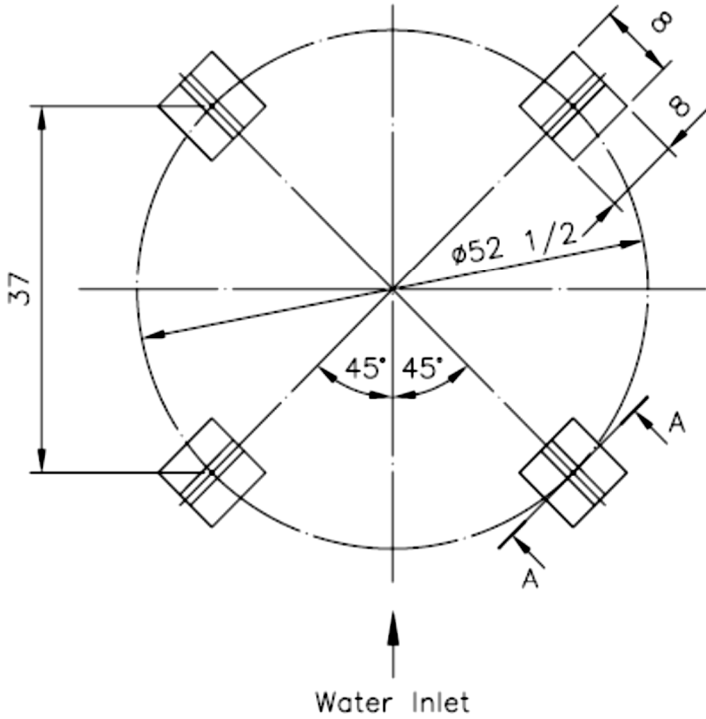
196 Lower Cherry Street Macon, GA 31201

TF: 800.752.1905

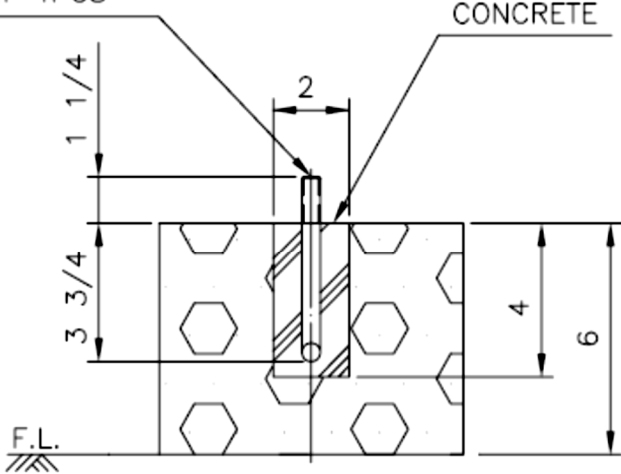
F: 478.755.8304

www.coolingtowersystems.com

info@coolingtowersystems.com



1 1/4L ALL THREAD PROJECTION
W1/2x5L, L TYPE ANCHOR BOLT 4PCS



A-A SECTION