



The best just got better

MODEL T-225 TOWER SPECIFICATIONS





TOWER SPECIFICATIONS: MODEL T-225 Cooling Tower Systems, Inc.

Design and Operating Conditions		Water Distribution System Construction Materials	
Tower Type:	Counter Flow Induced Draft	Stand Pipe:	PVC
Water Flow Rate (GPM):	73 GPM	Sprinkler Head:	Nylon
Entering Water Temperature	95°F	Sprinkler Pipes:	PVC
Leaving Water Temperature	85°F	Mechanical Equipment	
Wet Bulb Temperature:	75°F	Fan Unit:	One Unit per Tower
Total Fan BHP:	3/4 HP	Type:	Axial Flow
Total Pump Head:	5.6'	Manufacturer:	CTS
Drift Loss of Water Flow:	0.1%	Diameter:	30.25"
Evaporation Loss of Water Flow:	0.93%	Blade Material:	Nylon
Design Wind Load:	30.7 lbs/sq. ft.	Hub Material:	Nylon
Structural Details		Nominal Air Volume:	7,000 CFM
Overall Diameter:	54 3/8"	Fan Motor	
Overall Height:	70 15/16"	Number of motors:	One Unit per Tower
Dry Weight:	227 lbs.	Type:	Induction
Operating Weight:	887 lbs.	Manufacturer:	CTS
Basic Tower Construction Materials		Insulation:	F Class
Tower Support Frame Assembly	-	Rated HP:	3/4 HP
Casing:	FRP	Voltage and phase:	220/440V/3
Casing Supporters	Nylon	Piping Connections	
Cold Water Basin	FRP	Primary Water Inlet Diameter	2.5"
Filling:	PVC	Primary Water Outlet Diameter:	2.5"
Filling Supports:	PVC	Auto fill inlet diameter:	1/2"
Fan Guard	PP	Quick fill inlet diameter:	-
Mechanical Equipment Supports:	HDGS	Overflow outlet diameter:	1"
Inlet Louvers:	PVC	Drain diameter:	1"
Bolts, Nuts & Washers:	STS	Water Flow (GPM):	73 GPM
Materials Key			
FRP	Fiberglass Reinforced Polyester	STS	Stainless Steel
HDGS	Hot Dipped Galvanized Steel	AC	Aluminum Alloy Cast

Cooling Tower Systems, Inc.

3170 Mercer University Dr., Macon, GA 31204

TF: 800.752.1905

F: 478.755.8304

www.coolingtowersystems.com

info@coolingtowersystems.com

PARTS LIST: MODEL T-225

FOR ASSEMBLY DIAGRAM			FOR ASSEMBLY DIAGRAM		
Ref. No.	Description	QTY	Ref. No.	Description	QTY
02-02	Outlet Nozzle	1	13-03	Eliminator	4
02-03	Inlet Nozzle	1	13-04	Lock Nut	4
02-04	Over Flow Nozzle	1	14-00	Motor Frame Assembly	1
02-05	Drain Nozzle	1	16-01	Fan Motor	1
02-06	Automatic Filler Nozzle	1	16-03	Fan Key	1
02-07	Quick Filler Nozzle	1	16-04	Fasten Nut	1
02-08	Float Valve Assembly	1	17-00	Fan Assembly	1
02-09	Over Flow	1	18-01	Fan Guard	1
02-10	Suction Strainer	1	20-02	Inlet Louver	3
02-12A	Z Type Connector	1	20-10	Louver Bracket	6
02-16	Elbow	1	20-11	Knob Pin	6
02-19	Inlet Pipe	1	OTHERS	Bolts & Nuts	1 SET
03-00	Water Basin	1			
04-00	Casing Supporter	3			
05-01A	Casing	3			
05-06	Hand Hole Cover	1			
06-01	Stand Pipe	1			
06-04	Stand Pipe Base	1			
07-01	Stopper	1			
08-01	Filling Supporter - A	3			
11-00	Filling	2			
12-01	Sprinkler Head	1			
13-01	Sprinkler Pipe	4			
13-02	End Cap	4			

Cooling Tower Systems, Inc.

3170 Mercer University Dr., Macon, GA 31204

TF: 800.752.1905

F: 478.755.8304

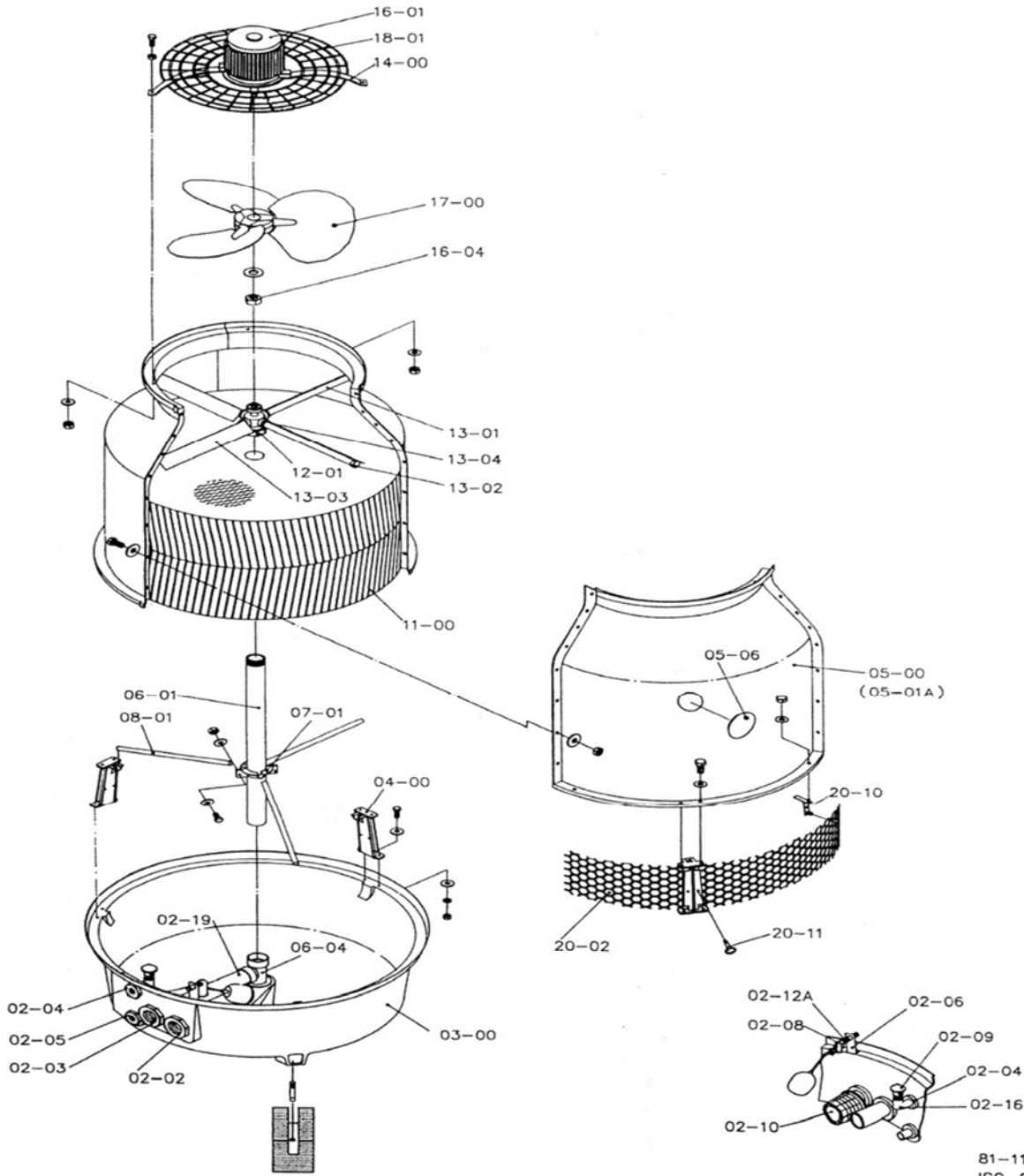
www.coolingtowersystems.com

info@coolingtowersystems.com



Cooling Tower Systems, Inc.

ASSEMBLY DIAGRAM: MODEL T-225



81-11-26-8
ISO-25-C.DWG

Cooling Tower Systems, Inc.

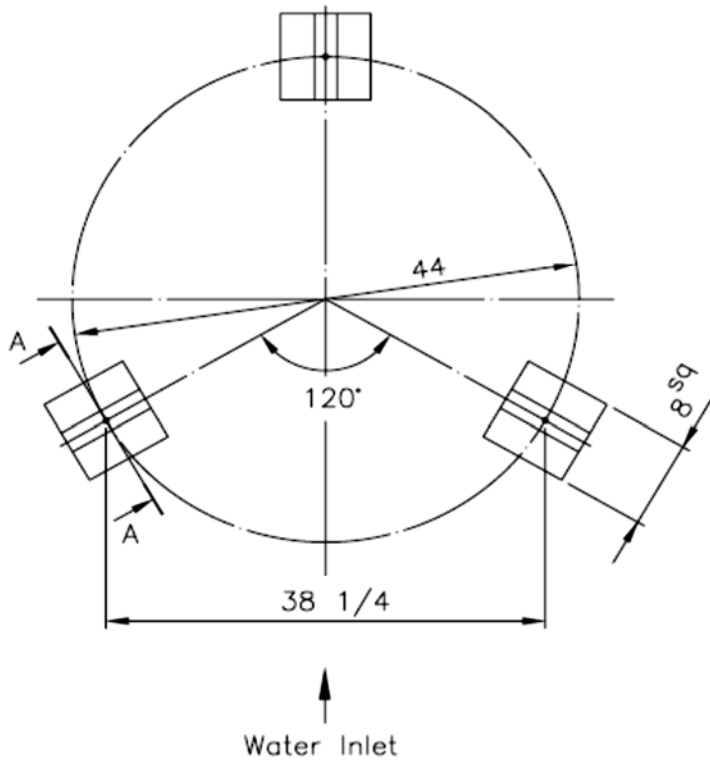
3170 Mercer University Dr., Macon, GA 31204

TF: 800.752.1905

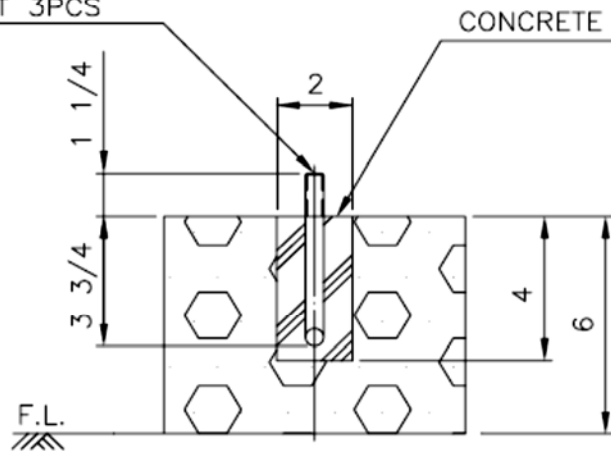
F: 478.755.8304

www.coolingtowersystems.com

info@coolingtowersystems.com



1 1/4L ALL THREAD PROJECTION
 W 1/2x5L, L TYPE ANCHOR BOLT 3PCS



A-A SECTION