



The Best Just Got Better

MODEL T-2250

TOWER SPECIFICATIONS





TOWER SPECIFICATIONS: MODEL T-2250 Cooling Tower Systems, Inc.

Design and Operating Conditions		Water Distribution System Construction Materials	
Tower Type:	Counter Flow Induced Draft	Stand Pipe:	PVC
Water Flow Rate (GPM):	737 GPM	Sprinkler Head:	AC
Entering Water Temperature	95°F	Sprinkler Pipes:	PVC
Leaving Water Temperature	85°F	Mechanical Equipment	
Wet Bulb Temperature:	75°F	Fan Unit:	One Unit per Tower
Total Fan BHP:	7.5 HP	Type:	Axial Flow
Total Pump Head:	12'	Manufacturer:	CTS
Drift Loss of Water Flow:	0.1%	Diameter:	93"
Evaporation Loss of Water Flow:	0.93%	Blade Material:	AC
Design Wind Load:	41 lbs/sq. ft.	Hub Material:	AC
Structural Details		Nominal Air Volume:	61,270 CFM
Overall Diameter:	148 3/8"	Fan Motor	
Overall Height:	125 5/8"	Number of motors:	One Unit per Tower
Dry Weight:	2,266 lbs.	Type:	Induction
Operating Weight:	7,854 lbs.	Manufacturer:	CTS
Basic Tower Construction Materials		Insulation:	F Class
Tower Support Frame Assembly	HDGS	Rated HP:	7.5 HP
Casing:	FRP	Voltage and phase:	220/440V/3
Casing Supporters	HDGS	Piping Connections	
Cold Water Basin	FRP	Primary Water Inlet Diameter	8"
Filling:	PVC	Primary Water Outlet Diameter:	8"
Filling Supports:	HDGS	Auto fill inlet diameter:	1.25"
Fan Guard	HDGS	Quick fill inlet diameter:	1.25"
Mechanical Equipment Supports:	HDGS	Overflow outlet diameter:	2"
Inlet Louvers:	PVC	Drain diameter:	2"
Bolts, Nuts & Washers:	STS	Water Flow (GPM):	737 GPM
Materials Key			
FRP	Fiberglass Reinforced Polyester	STS	Stainless Steel
HDGS	Hot Dipped Galvanized Steel	AC	Aluminum Alloy Cast

Cooling Tower Systems, Inc.

3170 Mercer University Dr., Macon, GA 31204

TF: 800.752.1905

F: 478.755.8304

www.coolingtowersystems.com

info@coolingtowersystems.com

PARTS LIST: MODEL T-2250

FOR ASSEMBLY DIAGRAM		
Ref. No.	Description	QTY
01-02	Ring Frame	8
01-05	Truss Pipe Assembly	4
02-01	Water Sump	1
02-02	Outlet Nozzle	1
02-03	Inlet Nozzle	1
02-04	Over Flow Nozzle	1
02-05	Drain Nozzle	1
02-06	Automatic Filler Nozzle	1
02-07	Quick Filler Nozzle	1
02-08	Float Valve Assembly	1
02-09	Over Flow	1
02-10	Suction Strainer	1
02-12A	Connector Pipe	1
02-13	Elbow	2
02-16	Elbow	-
03-01	Water Basin	8
04-00	Casing Supporter	8
04-02	Stiffener Ring - 1	-
05-01A	Casing	8
05-06	Hand Hole Cover	1
06-01	Stand Pipe	1
06-02	Stand Pipe Base	1
06-03	Packing	1
07-02	Column	1
08-01	Filling Supporter - A	8
08-02	Filling Supporter - B	8
08-03	Filling Supporter - C	16
08-04	Fill Supt. Clamping Band	16
10-01	Ladder (A Section)	1
10-02	Ladder (B Section)	1
10-03	Ladder Bracket - A	2
10-04	Ladder Bracket - B	2
11-01	Filling (Inner Section)	-

FOR ASSEMBLY DIAGRAM		
Ref. No.	Description	QTY
11-04	Filling (1/4 Section)	8
11-06	Filling (1/6 Section)	-
12-01	Sprinkler Head	1
12-02	Center Post	1
12-03	Turnbuckle	4
12-04	Tension Wire	4
13-01	Sprinkler Pipe	4
13-02	End Cap	4
13-03	Eliminator	4
14-01	Frame Ass'y Main Pipe	2
14-02	Frame Ass'y Main Pipe	2
15-01	Motor Base	1
15-02	U-Bolt	8
16-01	Motor	1
16-02	Speed Reducer	1
16-03	Fan Key	1
16-04	Fasten Nut	1
16-05	Lock Nut	-
17-01	Fan Hub	1
17-02	Fan Blade	4
17-04	U-Bolt	8
18-01	Fan Guard	8
20-02	Inlet Louver	9
20-03	PVC Frame	18
20-04	Louver Clip	24
20-05	Louver Hook	24
20-06	Lug Plate	24
20-07	Wing Nut	24
OTHERS	Bolts & Nuts	1 SET

Cooling Tower Systems, Inc.

3170 Mercer University Dr., Macon, GA 31204

TF: 800.752.1905

F: 478.755.8304

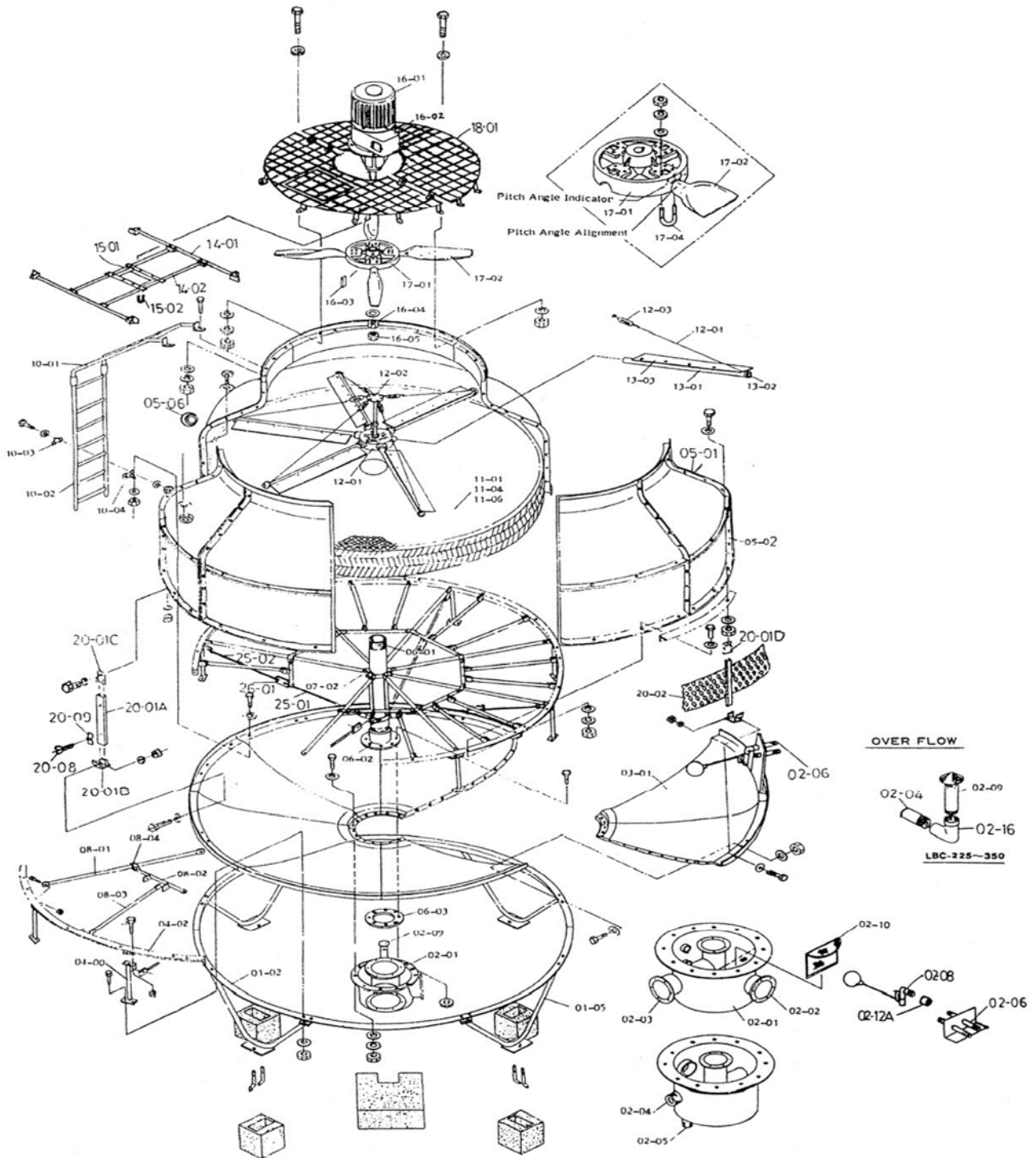
www.coolingtowersystems.com

info@coolingtowersystems.com



ASSEMBLY DIAGRAM: MODEL T-2250

Cooling Tower Systems, Inc.



Cooling Tower Systems, Inc.

3170 Mercer University Dr., Macon, GA 31204

TF: 800.752.1905

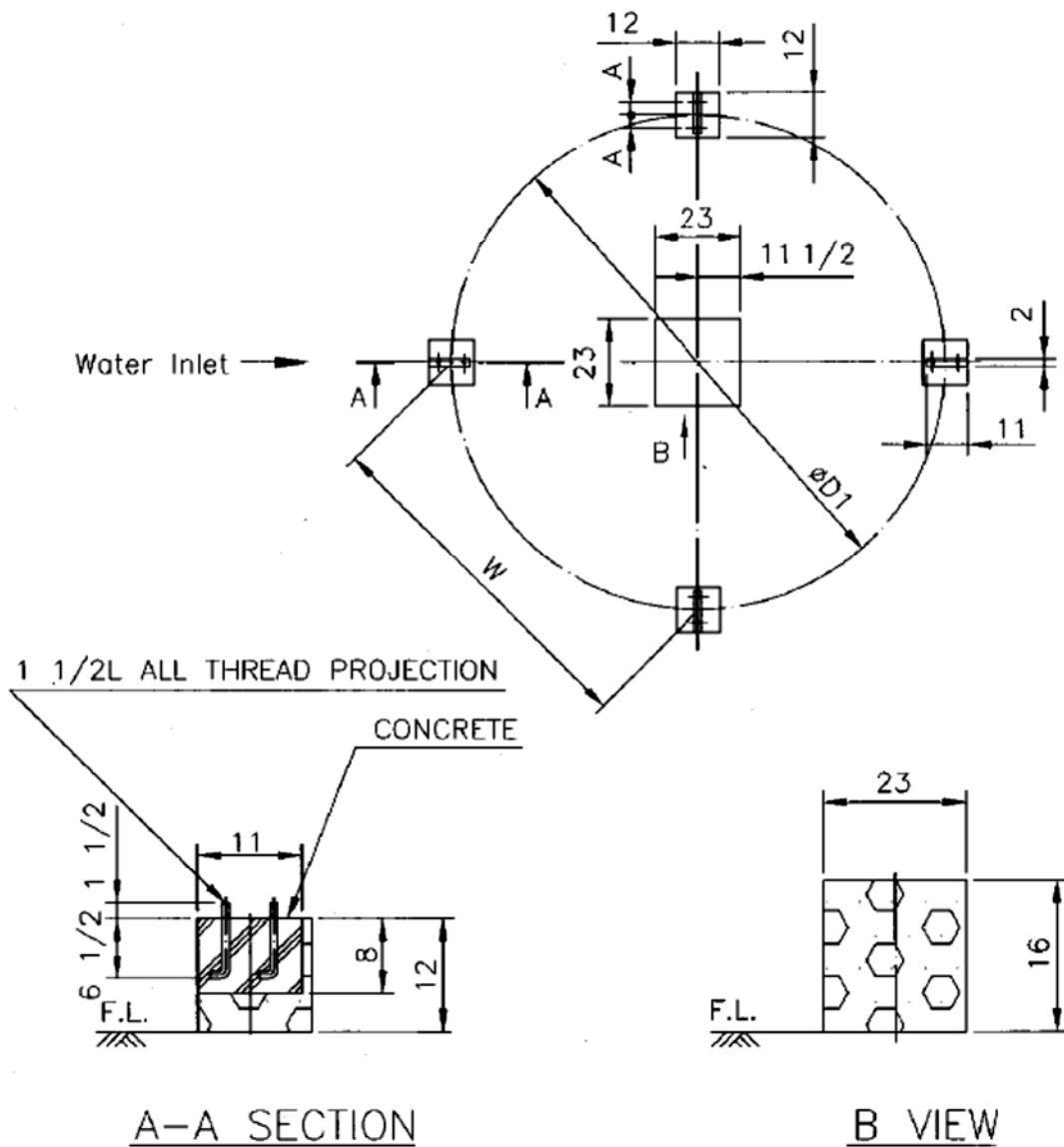
F: 478.755.8304

www.coolingtowersystems.com

info@coolingtowersystems.com

FOUNDATION DRAWING: MODEL T-2250 Cooling Tower Systems, Inc.

T-	øD1	W	A	L TYPE ANCHOR BOLT		
				SIZE	L	PCS
2200	132	93 3/8	2 1/2	W5/8	8	8
2225~2250	132	93 3/8	2 1/2	W5/8	8	8
2300	156 1/8	110 3/8	2 3/4	W5/8	8	8
2350	169 1/8	119 5/8	2 3/4	W5/8	8	8



Cooling Tower Systems, Inc.

3170 Mercer University Dr., Macon, GA 31204

TF: 800.752.1905

F: 478.755.8304

www.coolingtowersystems.com

info@coolingtowersystems.com