



The Best Just Got Better

MODEL T-2225

TOWER SPECIFICATIONS



Cooling Tower Systems, Inc.

196 Lower Cherry Street Macon, GA 31201

TF: 800.752.1905

F: 478.755.8304

www.coolingtowersystems.com

info@coolingtowersystems.com



TOWER SPECIFICATIONS: MODEL T-2225 Cooling Tower Systems, Inc.

Design and Operating Conditions		Water Distribution System Construction Materials	
Tower Type:	Counter Flow Induced Draft	Stand Pipe:	PVC
Water Flow Rate (GPM):	656 GPM	Sprinkler Head:	AC
Entering Water Temperature	95°F	Sprinkler Pipes:	PVC
Leaving Water Temperature	85°F	Mechanical Equipment	
Wet Bulb Temperature:	75°F	Fan Unit:	One Unit per Tower
Total Fan BHP:	7.5 HP	Type:	Axial Flow
Total Pump Head:	11'	Manufacturer:	CTS
Drift Loss of Water Flow:	0.1%	Diameter:	93"
Evaporation Loss of Water Flow:	0.93%	Blade Material:	AC
Design Wind Load:	41 lbs/sq. ft.	Hub Material:	AC
Structural Details		Nominal Air Volume:	61,270 CFM
Overall Diameter:	148 3/8"	Fan Motor	
Overall Height:	125 5/8"	Number of motors:	One Unit per Tower
Dry Weight:	2,116 lbs.	Type:	Induction
Operating Weight:	8,569 lbs.	Manufacturer:	CTS
Basic Tower Construction Materials		Insulation:	F Class
Tower Support Frame Assembly	HDGS	Rated HP:	7.5 HP
Casing:	FRP	Voltage and phase:	220/440V/3
Casing Supporters	HDGS	Piping Connections	
Cold Water Basin	FRP	Primary Water Inlet Diameter	6"
Filling:	PVC	Primary Water Outlet Diameter:	6"
Filling Supports:	HDGS	Auto fill inlet diameter:	1.25"
Fan Guard	HDGS	Quick fill inlet diameter:	1.25"
Mechanical Equipment Supports:	HDGS	Overflow outlet diameter:	2"
Inlet Louvers:	PVC	Drain diameter:	2"
Bolts, Nuts & Washers:	STS	Water Flow (GPM):	656 GPM
Materials Key			
FRP	Fiberglass Reinforced Polyester	STS	Stainless Steel
HDGS	Hot Dipped Galvanized Steel	AC	Aluminum Alloy Cast

Cooling Tower Systems, Inc.

196 Lower Cherry Street Macon, GA 31201

TF: 800.752.1905

F: 478.755.8304

www.coolingtowersystems.com

info@coolingtowersystems.com

PARTS LIST: MODEL T-2225

FOR ASSEMBLY DIAGRAM		
Ref. No.	Description	QTY
01-02	Ring Frame	8
01-05	Truss Pipe Assembly	4
02-01	Water Sump	1
02-02	Outlet Nozzle	1
02-03	Inlet Nozzle	1
02-04	Over Flow Nozzle	1
02-05	Drain Nozzle	1
02-06	Automatic Filler Nozzle	1
02-07	Quick Filler Nozzle	1
02-08	Float Valve Assembly	1
02-09	Over Flow	1
02-10	Suction Strainer	1
02-12A	Connector Pipe	1
02-13	Elbow	2
02-16	Elbow	-
03-01	Water Basin	8
04-00	Casing Supporter	8
04-02	Stiffener Ring - 1	-
05-01A	Casing	8
05-06	Hand Hole Cover	1
06-01	Stand Pipe	1
06-02	Stand Pipe Base	1
06-03	Packing	1
07-02	Column	1
08-01	Filling Supporter - A	8
08-02	Filling Supporter - B	8
08-03	Filling Supporter - C	16
08-04	Fill Supt. Clamping Band	16
10-01	Ladder (A Section)	1
10-02	Ladder (B Section)	1
10-03	Ladder Bracket - A	2
10-04	Ladder Bracket - B	2
11-01	Filling (Inner Section)	-
11-04	Filling (1/4 Section)	8
11-06	Filling (1/6 Section)	-
12-01	Sprinkler Head	1
12-02	Center Post	1
12-03	Turnbuckle	4
12-04	Tension Wire	4
13-01	Sprinkler Pipe	4
13-02	End Cap	4
13-03	Eliminator	4
14-01	Frame Ass'y Main Pipe	2
14-02	Frame Ass'y Main Pipe	2
15-01	Motor Base	1
15-02	U-Bolt	8
16-01	Motor	1
16-02	Speed Reducer	1
16-03	Fan Key	1
16-04	Fasten Nut	1
16-05	Lock Nut	-
17-01	Fan Hub	1
17-02	Fan Blade	4
17-04	U-Bolt	8
18-01	Fan Guard	8

20-02	Inlet Louver	9
20-03	PVC Frame	18
20-04	Louver Clip	24
20-05	Louver Hook	24
20-06	Lug Plate	24
20-07	Wing Nut	24
OTHERS	Bolts & Nuts	1 SET

FOR TECHNICAL DIAGRAMS			
Item	Description	Material	QTY
1	Fan Motor	-	1 pcs
2	V-Belt Reducer	-	1 set
3	Motor Frame Assembly	HDGS	1 set
4	Fan	A	1 set
5	Fan Guard	HDGS	1 set
6	Casing	FRP	8 pcs
7	Hand Hole	EVA	1 pcs
8	Sprinkler Head	A	1 set
9	Sprinkler Pipe	PVC	4 pcs
10	Eliminator	FRP	4 pcs
11	Tension Device	ABS	1 set
12	Stand Pipe	PVC	1 set
13	Filling	PVC	1 set
14	Stopper or Column	HDGS	1 set
15	Filling Supporter	HDGS	1 set
16	Casing Supporter	HDGS	8 pcs
17	Inlet Louver	PVC	1 set
18	Frame Assembly	HDGS	1 set
19	Water Basin	FRP	8 pcs
20	Water Sump	FRP	1 pcs
21	Ladder	HDGS	1 set
22	Strainer	STS	1 pcs
23	Flange	HDGS	2 pcs
24	Basin Supporter	-	-

Materials Key	
FRP	Fiberglass Reinforced Polyester
HDGS	Hot Dipped Galvanized Steel
STS	Stainless Steel
AC	Aluminum Alloy Cast
Water Basin Sealing Material	
Fiberglass	1 Set—A
Polyester Resin	1 Keg—B
Catalyst	1 Bottle—C

Cooling Tower Systems, Inc.

196 Lower Cherry Street Macon, GA 31201

TF: 800.752.1905

F: 478.755.8304

www.coolingtowersystems.com

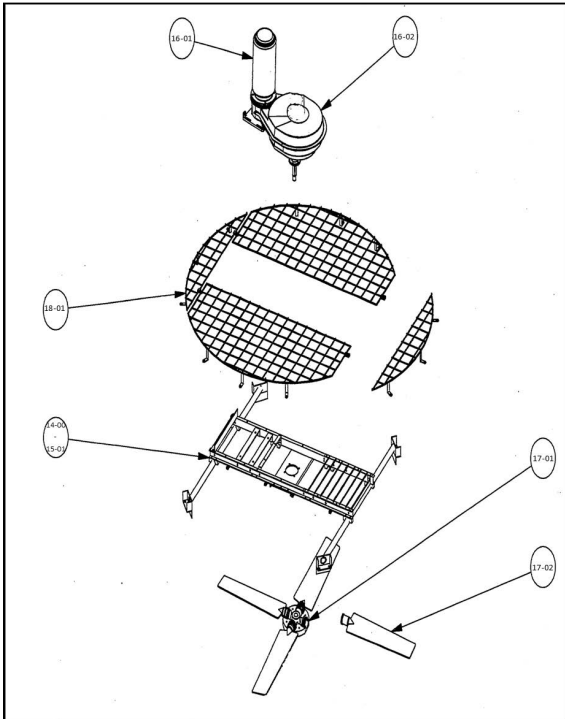
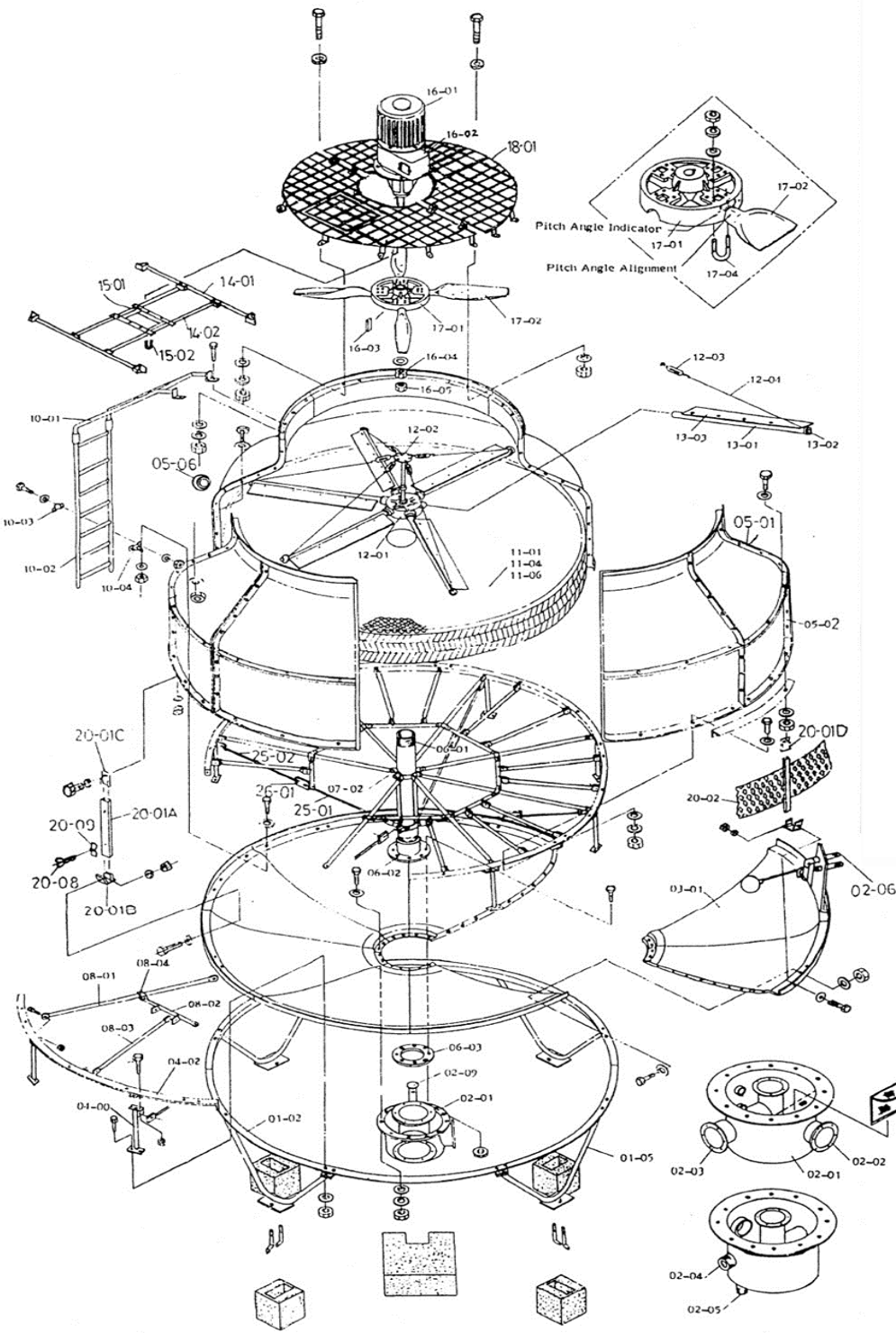
info@coolingtowersystems.com



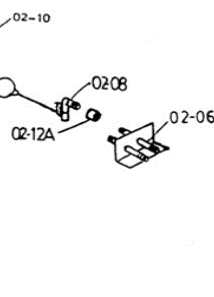
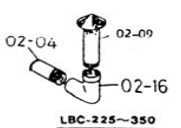
Cooling Tower Systems, Inc.

ASSEMBLY DIAGRAM: MODEL T-2225

*Pictured below is LBM Vbelt speed reducer hook up



*Pictured above is VBA style right angle drive vbelt speed reducer hook up. All parts are the same but mounting is as shown above.



Cooling Tower Systems, Inc.

196 Lower Cherry Street Macon, GA 31201

TF: 800.752.1905

F: 478.755.8304

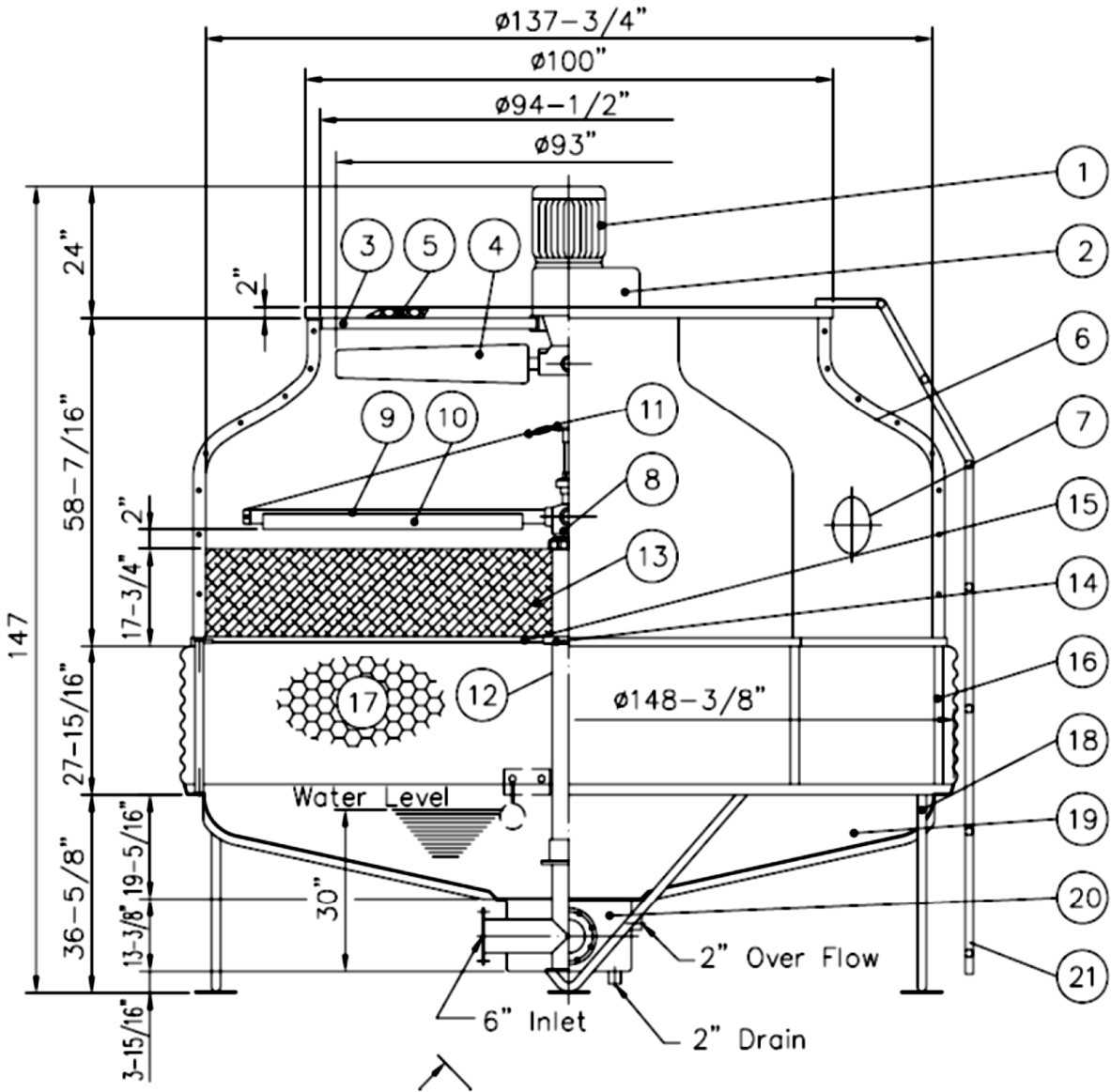
www.coolingtowersystems.com

info@coolingtowersystems.com



Cooling Tower Systems, Inc.

TECHNICAL IMAGE A: MODEL T-2225



Cooling Tower Systems, Inc.

196 Lower Cherry Street Macon, GA 31201

TF: 800.752.1905

F: 478.755.8304

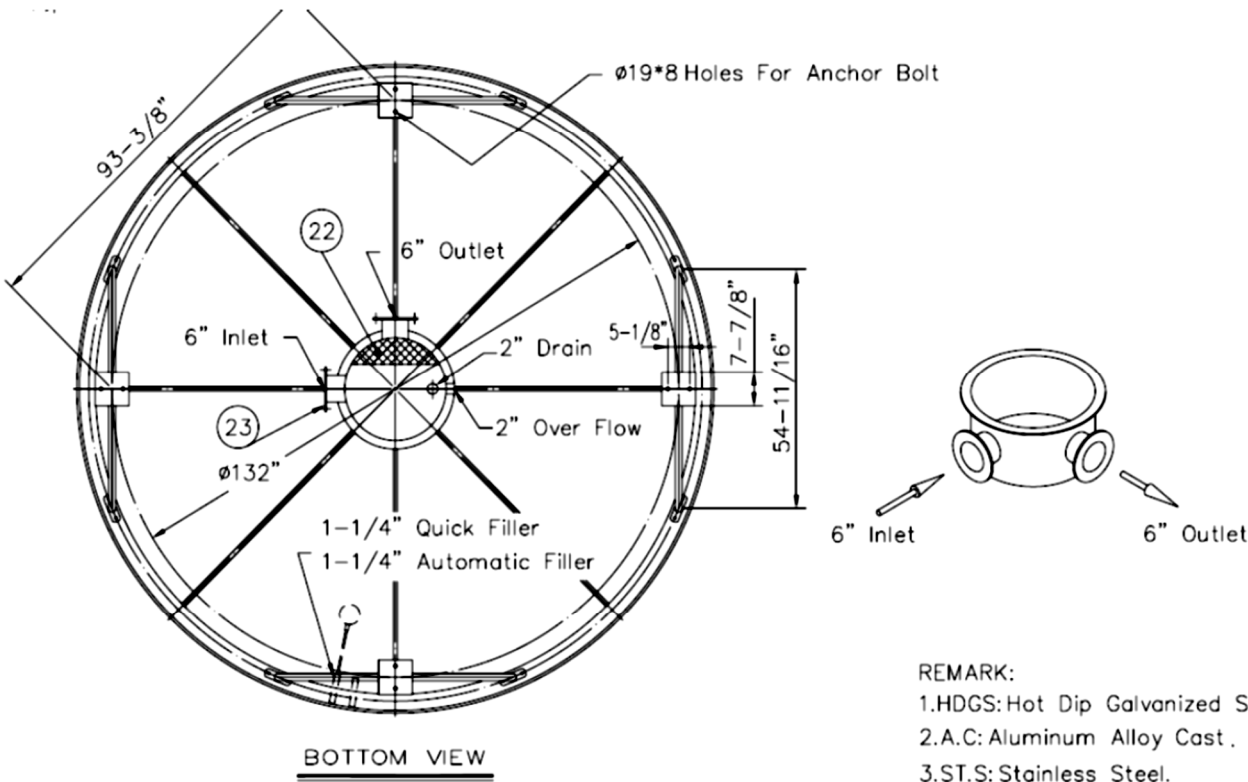
www.coolingtowersystems.com

info@coolingtowersystems.com



Cooling Tower Systems, Inc.

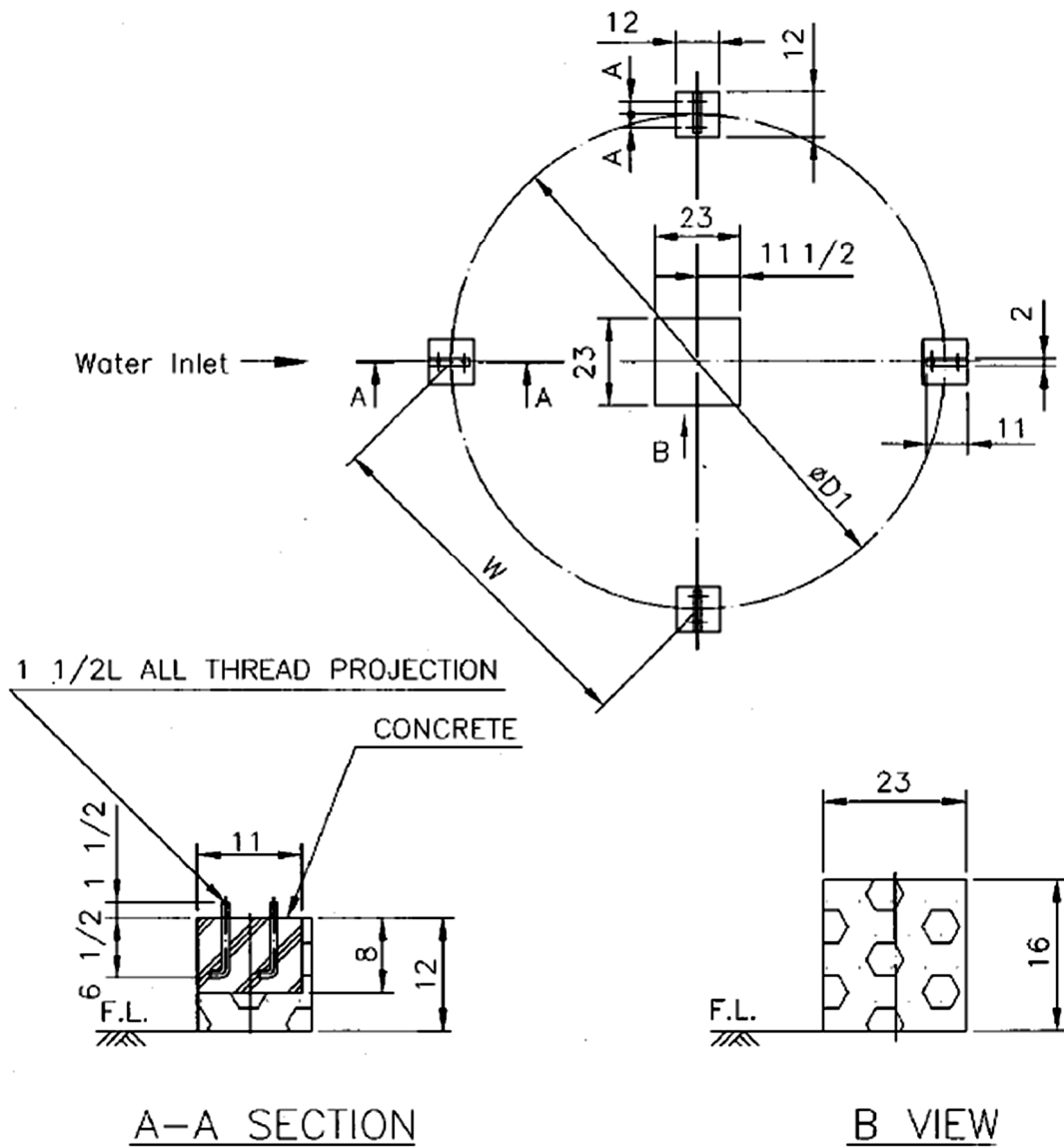
TECHNICAL IMAGE B: MODEL T-2225



REMARK:
 1.HDGS: Hot Dip Galvanized Steel
 2.A.C: Aluminum Alloy Cast.
 3.ST.S: Stainless Steel.

FOUNDATION DRAWING: MODEL T-2225 Cooling Tower Systems, Inc.

T-	øD1	W	A	L TYPE ANCHOR BOLT		
				SIZE	L	PCS
2200	132	93 3/8	2 1/2	W5/8	8	8
2225~2250	132	93 3/8	2 1/2	W5/8	8	8
2300	156 1/8	110 3/8	2 3/4	W5/8	8	8
2350	169 1/8	119 5/8	2 3/4	W5/8	8	8



Cooling Tower Systems, Inc.

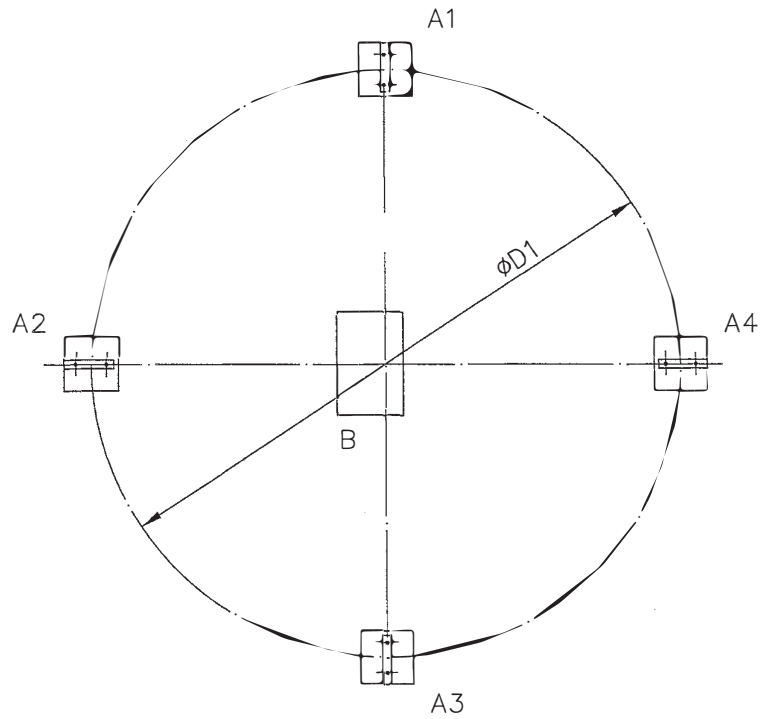
196 Lower Cherry Street Macon, GA 31201

TF: 800.752.1905

F: 478.755.8304

www.coolingtowersystems.com

info@coolingtowersystems.com



TOWER MODEL T-2	ϕD	LIVE LOAD		DEAD LOAD	
		A1=...=A4	B	A1=...=A4	B
150	112 5/8"	142lb	807lb	738lb	3230lb
175	112 5/8"	162lb	921lb	763lb	3327lb
200	132"	198lb	1124lb	893lb	4800lb
225	132"	219lb	1240lb	925lb	4869lb)
250	132"	235lb	1331lb	953lb	4912lb
300	(156 1/8")	292lb	1658lb	957lb	5385lb
350	(169 1/8")	310lb)	1760lb	1031lb	5840lb

			NOTE		
TITLE	T-2150~2350		CTS		
	DESIGN LIVE LOAD AND DEAD LOAD ON FOUNDATION BASE				
	<i>Lee</i>		MM	/	'20·08 25
			