



*The Best Just Got Better*

---

# MODEL T-2200

# TOWER SPECIFICATIONS



---

Cooling Tower Systems, Inc.

196 Lower Cherry Street Macon, GA 31201

TF: 800.752.1905

F: 478.755.8304

[www.coolingtowersystems.com](http://www.coolingtowersystems.com)

[info@coolingtowersystems.com](mailto:info@coolingtowersystems.com)



# TOWER SPECIFICATIONS: MODEL T-2200 Cooling Tower Systems, Inc.

Design and Operating Conditions		Water Distribution System Construction Materials	
Tower Type:	Counter Flow Induced Draft	Stand Pipe:	PVC
Water Flow Rate (GPM):	592 GPM	Sprinkler Head:	AC
Entering Water Temperature	95°F	Sprinkler Pipes:	PVC
Leaving Water Temperature	85°F	Mechanical Equipment	
Wet Bulb Temperature:	75°F	Fan Unit:	One Unit per Tower
Total Fan BHP:	5 HP	Type:	Axial Flow
Total Pump Head:	11'	Manufacturer:	CTS
Drift Loss of Water Flow:	0.1%	Diameter:	68 7/8"
Evaporation Loss of Water Flow:	0.93%	Blade Material:	AC
Design Wind Load:	41 lbs/sq. ft.	Hub Material:	AC
Structural Details		Nominal Air Volume:	43,760 CFM
Overall Diameter:	148 3/8"	Fan Motor	
Overall Height:	117 3/4"	Number of motors:	One Unit per Tower
Dry Weight:	1,918 lbs.	Type:	Induction
Operating Weight:	8,370 lbs.	Manufacturer:	CTS
Basic Tower Construction Materials		Insulation:	F Class
Tower Support Frame Assembly	HDGS	Rated HP:	5 HP
Casing:	FRP	Voltage and phase:	208-230/460V/3
Casing Supporters	HDGS	Piping Connections	
Cold Water Basin	FRP	Primary Water Inlet Diameter	6"
Filling:	PVC	Primary Water Outlet Diameter:	6"
Filling Supports:	HDGS	Auto fill inlet diameter:	1.25"
Fan Guard	HDGS	Quick fill inlet diameter:	1.25"
Mechanical Equipment Supports:	HDGS	Overflow outlet diameter:	2"
Inlet Louvers:	PVC	Drain diameter:	2"
Bolts, Nuts & Washers:	STS	Water Flow (GPM):	592 GPM
Materials Key			
FRP	Fiberglass Reinforced Polyester	STS	Stainless Steel
HDGS	Hot Dipped Galvanized Steel	AC	Aluminum Alloy Cast

### Cooling Tower Systems, Inc.

196 Lower Cherry Street Macon, GA 31201

TF: 800.752.1905

F: 478.755.8304

www.coolingtowersystems.com

info@coolingtowersystems.com

# PARTS LIST: MODEL T-2200

FOR ASSEMBLY DIAGRAM		
Ref. No.	Description	QTY
01-02	Ring Frame	8
01-05	Truss Pipe Assembly	4
02-01	Water Sump	1
02-02	Outlet Nozzle	1
02-03	Inlet Nozzle	1
02-04	Over Flow Nozzle	1
02-05	Drain Nozzle	1
02-06	Automatic Filler Nozzle	1
02-08	Float Valve Assembly	1
02-09	Over Flow	1
02-10	Suction Strainer	1
02-12A	Connector Pipe	1
02-16	Elbow	1
03-01	Water Basin	8
04-00	Casing Supporter	8
05-01A	Casing	8
05-06	Hand Hole Cover	1
06-01	Stand Pipe	1
06-02	Stand Pipe Base	1
06-03	Packing	1
07-02	Column	1
08-01	Filling Supporter - A	8
08-02	Filling Supporter - B	8
08-03	Filling Supporter - C	16
08-04	Fill Supt. Clamping Band	16
10-01	Ladder (A Section)	1
10-02	Ladder (B Section)	1
10-03	Ladder Bracket - A	2
10-04	Ladder Bracket - B	2
11-01	Filling (Inner Section)	-
11-04	Filling (1/4 Section)	8
11-06	Filling (1/6 Section)	-
12-01	Sprinkler Head	1
12-02	Center Post	1
12-03	Turnbuckle	4
12-04	Tension Wire	4
13-02	End Cap	4
13-03	Eliminator	4
14-01	Frame Ass'y Main Pipe	2
14-02	Frame Ass'y Main Pipe	-
15-01	Motor Base	1
15-02	U-Bolt	-
16-01	Motor	1
16-00	Motor Base Plate	0
16-03	Fan Key	1
16-04	Fasten Nut	1
16-05	Lock Nut	-
17-01	Fan Hub	1
17-02	Fan Blade	1
17-04	U-Bolt	8
18-01	Fan Guard	2

20-02	Inlet Louver	16
20-01A	Louver Support	16
20-01B	Down Plug	16
20-01C	Up Plug	16
20-08	Wing Bolt	32
20-09	Plastic Washer	32
OTHERS	Bolts & Nuts	1 SET

FOR TECHNICAL DIAGRAMS			
Item	Description	Material	QTY
1	Fan Motor	-	1 pcs
2	V-Belt Reducer	-	-
3	Motor Frame Assembly	HDGS	1 set
4	Fan Blade Assembly	AC	1 set
5	Fan Guard	HDGS	1 set
6	Casing	FRP	6 pcs
7	Hand Hole	EVA	1 pcs
8	Sprinkler Head	Nylon	1 set
9	Sprinkler Pipes	PVC	4 pcs
10	Eliminator	PVC	4 pcs
11	Tension Device	ABS	-
12	Stand Pipe	PVC	1 set
13	Filling	PVC	1 set
14	Stopper or Column	HDGS	1 set
15	Filling Supporter	HDGS	1 set
16	Casing Supporter	HDGS	6 pcs
17	Inlet Louver	PVC	1 set
18	Frame Assembly	HDGS	-
19	Water Basin	FRP	5 pcs
20	Water Sump	FRP	1 pcs
21	Ladder	HDGS	1 set
22	Strainer	PE	1 pcs
23	Flange	HDGS	2 pcs
24	Basin Supporter	-	-

Materials Key	
FRP	Fiberglass Reinforced Polyester
HDGS	Hot Dipped Galvanized Steel
STS	Stainless Steel
AC	Aluminum Alloy Cast
Water Basin Sealing Material	
Fiberglass	1 Set—A
Polyester Resin	1 Keg—B
Catalyst	1 Bottle—C

Cooling Tower Systems, Inc.

196 Lower Cherry Street Macon, GA 31201

TF: 800.752.1905

F: 478.755.8304

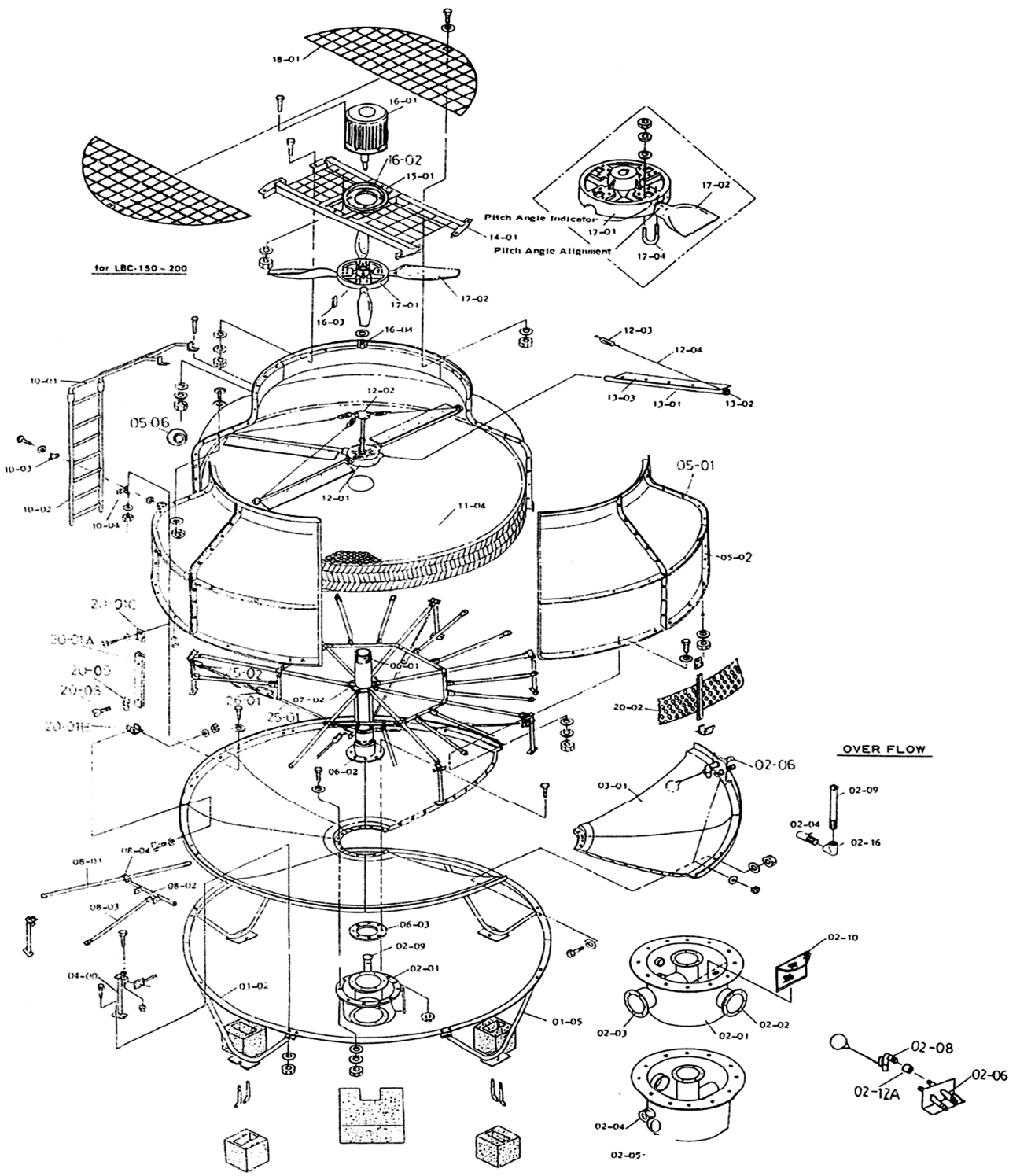
www.coolingtowersystems.com

info@coolingtowersystems.com



Cooling Tower Systems, Inc.

# ASSEMBLY DIAGRAM: MODEL T-2200



Cooling Tower Systems, Inc.

196 Lower Cherry Street Macon, GA 31201

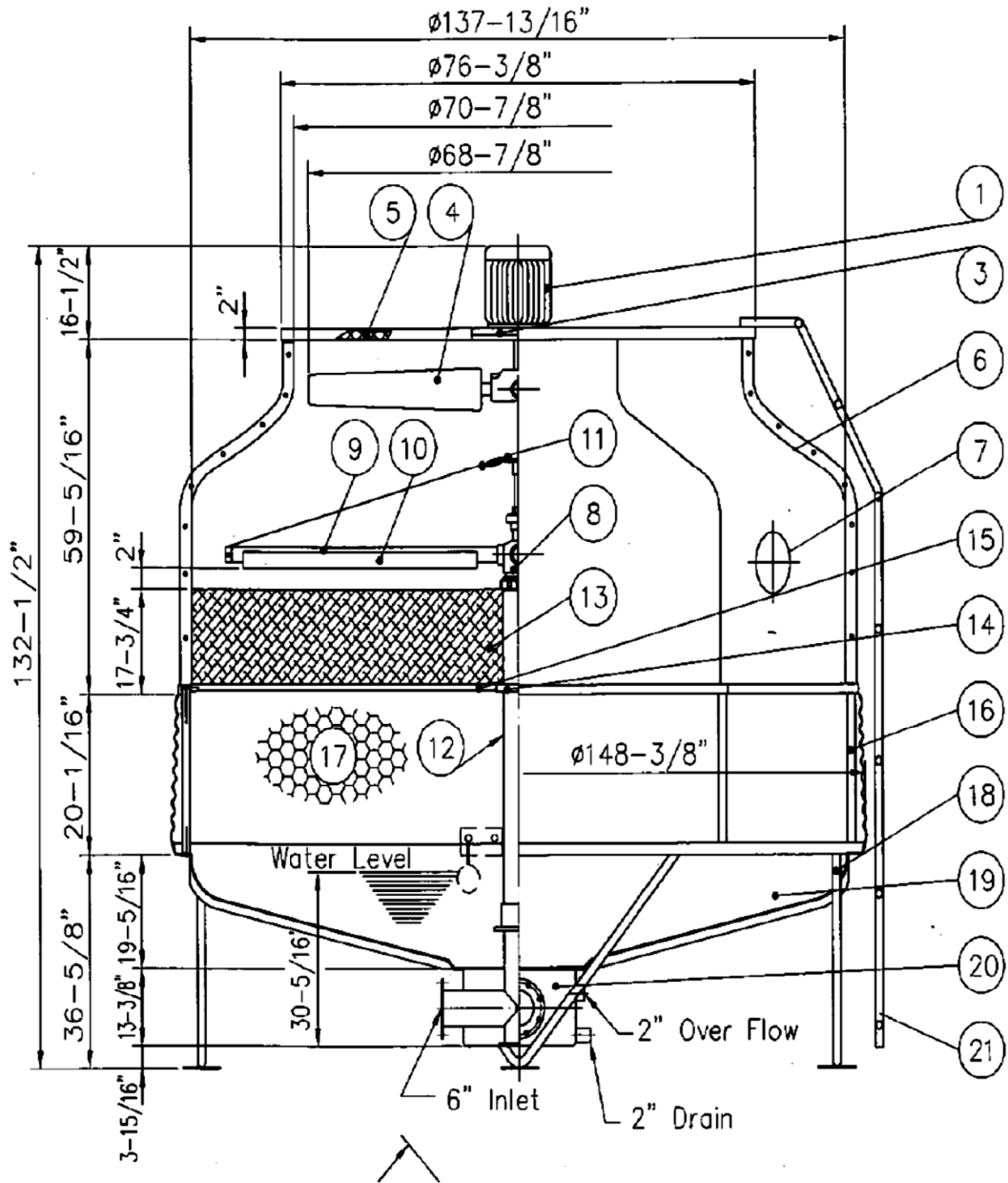
TF: 800.752.1905

F: 478.755.8304

www.coolingtowersystems.com

info@coolingtowersystems.com

TECHNICAL IMAGE A: MODEL T-2200



Cooling Tower Systems, Inc.

196 Lower Cherry Street Macon, GA 31201

TF: 800.752.1905

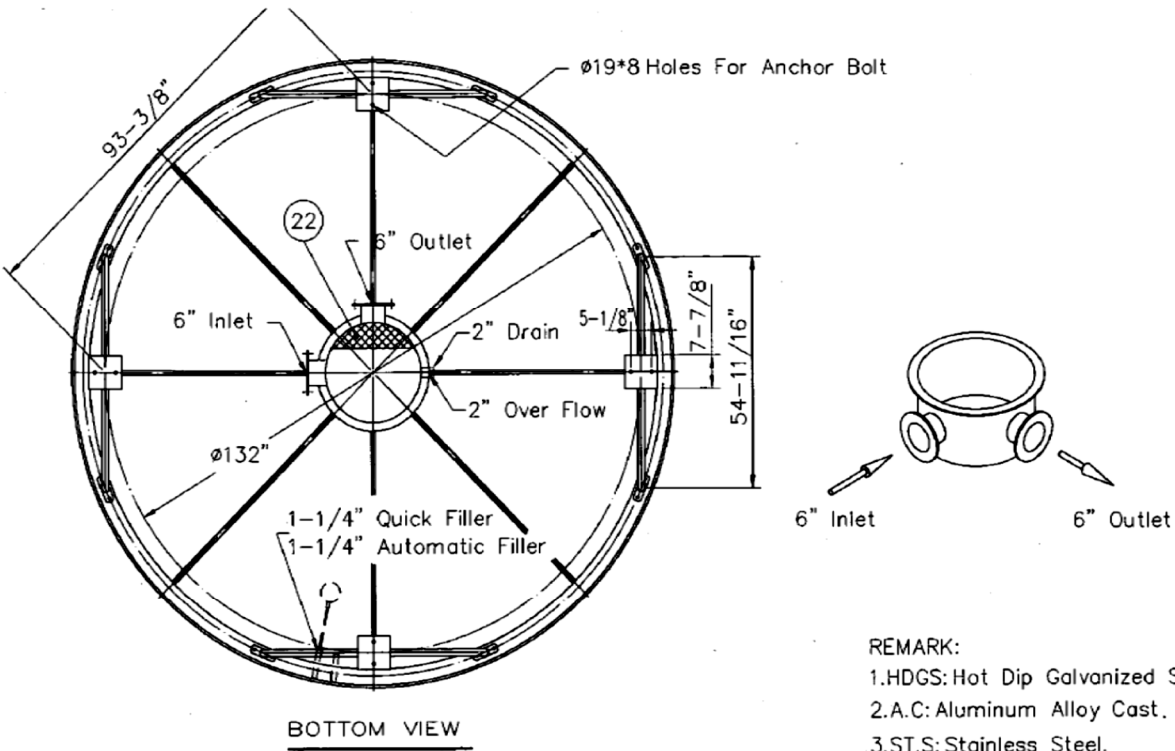
F: 478.755.8304

www.coolingtowersystems.com

info@coolingtowersystems.com



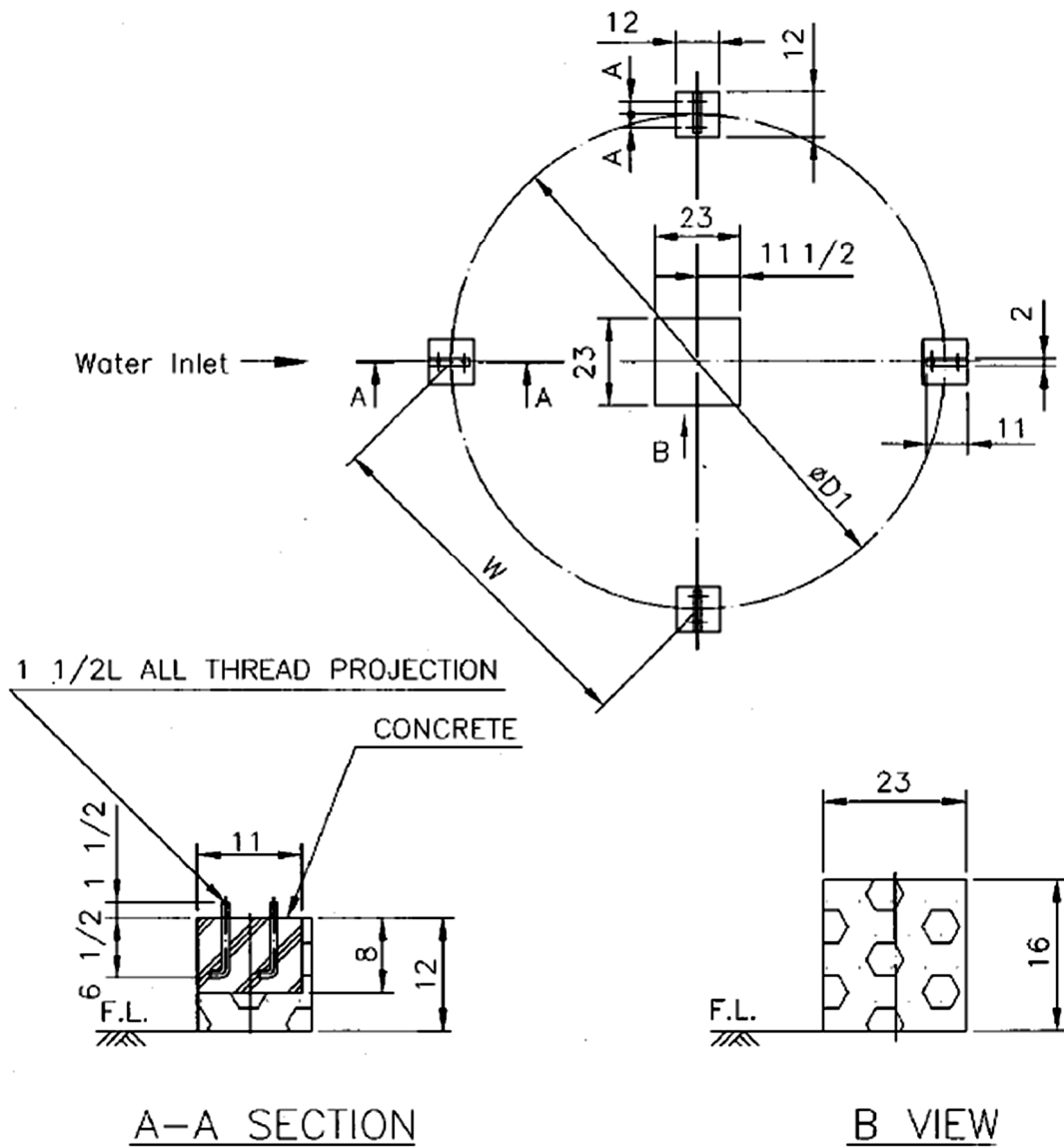
**TECHNICAL IMAGE B: MODEL T-2200** Cooling Tower Systems, Inc.



REMARK:  
1.HDGS: Hot Dip Galvanized Steel.  
2.A.C: Aluminum Alloy Cast.  
3.ST.S: Stainless Steel.

# FOUNDATION DRAWING: MODEL T-2200 Cooling Tower Systems, Inc.

T-	øD1	W	A	L TYPE ANCHOR BOLT		
				SIZE	L	PCS
2200	132	93 3/8	2 1/2	W5/8	8	8
2225~2250	132	93 3/8	2 1/2	W5/8	8	8
2300	156 1/8	110 3/8	2 3/4	W5/8	8	8
2350	169 1/8	119 5/8	2 3/4	W5/8	8	8



A-A SECTION

B VIEW

Cooling Tower Systems, Inc.

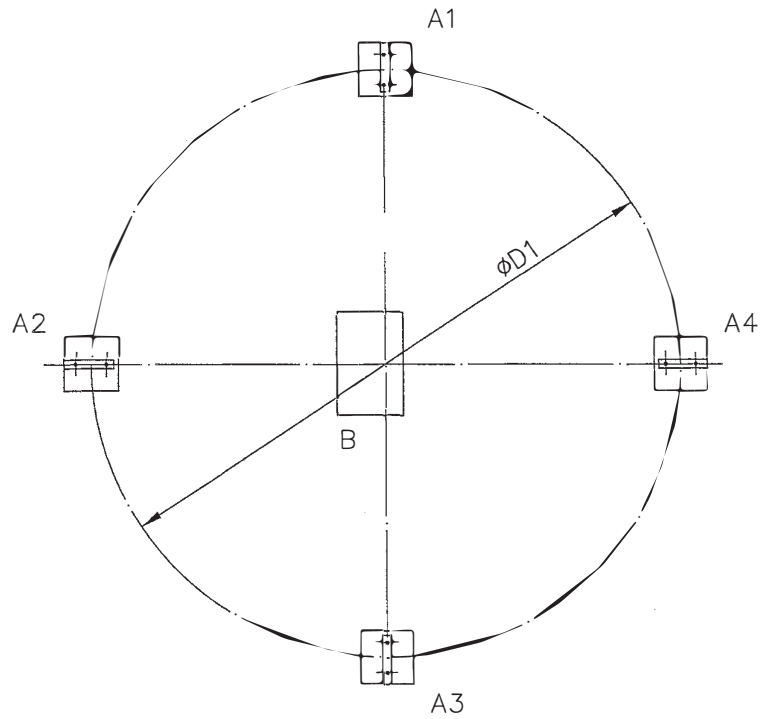
196 Lower Cherry Street Macon, GA 31201

TF: 800.752.1905

F: 478.755.8304

www.coolingtowersystems.com

info@coolingtowersystems.com



TOWER MODEL T-2	$\phi D$	LIVE LOAD		DEAD LOAD	
		A1=...=A4	B	A1=...=A4	B
150	112 5/8"	142lb	807lb	738lb	3230lb
175	112 5/8"	162lb	921lb	763lb	3327lb
200	132"	198lb	1124lb	893lb	4800lb
225	132"	219lb	1240lb	925lb	4869lb)
250	132"	235lb	1331lb	953lb	4912lb
300	(156 1/8")	292lb	1658lb	957lb	5385lb
350	(169 1/8")	310lb)	1760lb	1031lb	5840lb

			NOTE		
TITLE	T-2150~2350		CTS		
	DESIGN LIVE LOAD AND DEAD LOAD ON FOUNDATION BASE				
	<i>Lee</i>		MM	/	'20·08 25
			