



MODEL T-215 TOWER SPECIFICATIONS



Cooling Tower Systems, Inc.

3170 Mercer University Dr., Macon, GA 31204

TF: 800.752.1905

F: 478.755.8304

www.coolingtowersystems.com

info@coolingtowersystems.com



TOWER SPECIFICATIONS: MODEL T-215 Cooling Tower Systems, Inc.

| Design and Operating Conditions | | Water Distribution System Construction Materials | |
|---|----------------------------|--|--------------------|
| Tower Type: | Counter Flow Induced Draft | Stand Pipe: | PVC |
| Water Flow Rate (GPM): | 44 GPM | Sprinkler Head: | Nylon |
| Entering Water Temperature | 95°F | Sprinkler Pipes: | PVC |
| Leaving Water Temperature | 85°F | Mechanical Equipment | |
| Wet Bulb Temperature: | 75°F | Fan Unit: | One Unit per Tower |
| Total Fan BHP: | 1/4 HP | Type: | Axial Flow |
| Total Pump Head: | 5.3' | Manufacturer: | CTS |
| Drift Loss of Water Flow: | 0.1% | Diameter: | 26 3/8" |
| Evaporation Loss of Water Flow: | 0.93% | Blade Material: | Nylon |
| Design Wind Load: | 30.7 lbs/sq. ft. | Hub Material: | Nylon |
| Structural Details | | Nominal Air Volume: | 4,700 CFM |
| Overall Diameter: | 46" | Fan Motor | |
| Overall Height: | 59" | Number of motors: | One Unit per Tower |
| Dry Weight: | 139 lbs. | Type: | Induction |
| Operating Weight: | 536 lbs. | Manufacturer: | CTS |
| Basic Tower Construction Materials | | Insulation: | F Class |
| Tower Support Frame Assembly | - | Rated HP: | 1/4 HP |
| Casing: | FRP | Voltage and phase: | 110/220V/1 |
| Casing Supporters | Nylon | Piping Connections | |
| Cold Water Basin | FRP | Primary Water Inlet Diameter | 2" |
| Filling: | PVC | Primary Water Outlet Diameter: | 2" |
| Filling Supports: | PVC | Auto fill inlet diameter: | 1/2" |
| Fan Guard | PP | Quick fill inlet diameter: | - |
| Mechanical Equipment Supports: | HDGS | Overflow outlet diameter: | 1" |
| Inlet Louvers: | PVC | Drain diameter: | 1" |
| Bolts, Nuts & Washers: | STS | Water Flow (GPM): | 44 GPM |

Materials Key

| | | | |
|------|---------------------------------|-----|---------------------|
| FRP | Fiberglass Reinforced Polyester | STS | Stainless Steel |
| HDGS | Hot Dipped Galvanized Steel | AC | Aluminum Alloy Cast |

Cooling Tower Systems, Inc.

3170 Mercer University Dr., Macon, GA 31204

TF: 800.752.1905

F: 478.755.8304

www.coolingtowersystems.com

info@coolingtowersystems.com



PARTS LIST: MODEL T-215

Cooling Tower Systems, Inc.

| FOR ASSEMBLY DIAGRAM | | | FOR ASSEMBLY DIAGRAM | | |
|----------------------|-------------------------|-----|----------------------|----------------------|-------|
| Ref. No. | Description | QTY | Ref. No. | Description | QTY |
| 02-02 | Outlet Nozzle | 1 | 13-03 | Eliminator | - |
| 02-03 | Inlet Nozzle | 1 | 13-04 | Lock Nut | 4 |
| 02-04 | Over Flow Nozzle | 1 | 14-00 | Motor Frame Assembly | 1 |
| 02-05 | Drain Nozzle | 1 | 16-01 | Fan Motor | 1 |
| 02-06 | Automatic Filler Nozzle | 1 | 16-03 | Fan Key | 1 |
| 02-07 | Quick Filler Nozzle | 1 | 16-04 | Fasten Nut | 1 |
| 02-08 | Float Valve Assembly | 1 | 17-00 | Fan Assembly | 1 |
| 02-09 | Over Flow | 1 | 18-01 | Fan Guard | 1 |
| 02-10 | Suction Strainer | 1 | 20-02 | Inlet Louver | 3 |
| 02-12A | Z Type Connector | 1 | 20-10 | Louver Bracket | 6 |
| 02-16 | Elbow | 1 | 20-11 | Knob Pin | 6 |
| 02-19 | Inlet Pipe | 1 | OTHERS | Bolts & Nuts | 1 SET |
| 03-00 | Water Basin | 1 | | | |
| 04-00 | Casing Supporter | 3 | | | |
| 05-01A | Casing | 3 | | | |
| 05-06 | Hand Hole Cover | 1 | | | |
| 06-01 | Stand Pipe | 1 | | | |
| 06-04 | Stand Pipe Base | 1 | | | |
| 07-01 | Stopper | 1 | | | |
| 08-01 | Filling Supporter - A | 3 | | | |
| 11-00 | Filling | 2 | | | |
| 12-01 | Sprinkler Head | 1 | | | |
| 13-01 | Sprinkler Pipe | 4 | | | |
| 13-02 | End Cap | - | | | |

Cooling Tower Systems, Inc.

3170 Mercer University Dr., Macon, GA 31204

TF: 800.752.1905

F: 478.755.8304

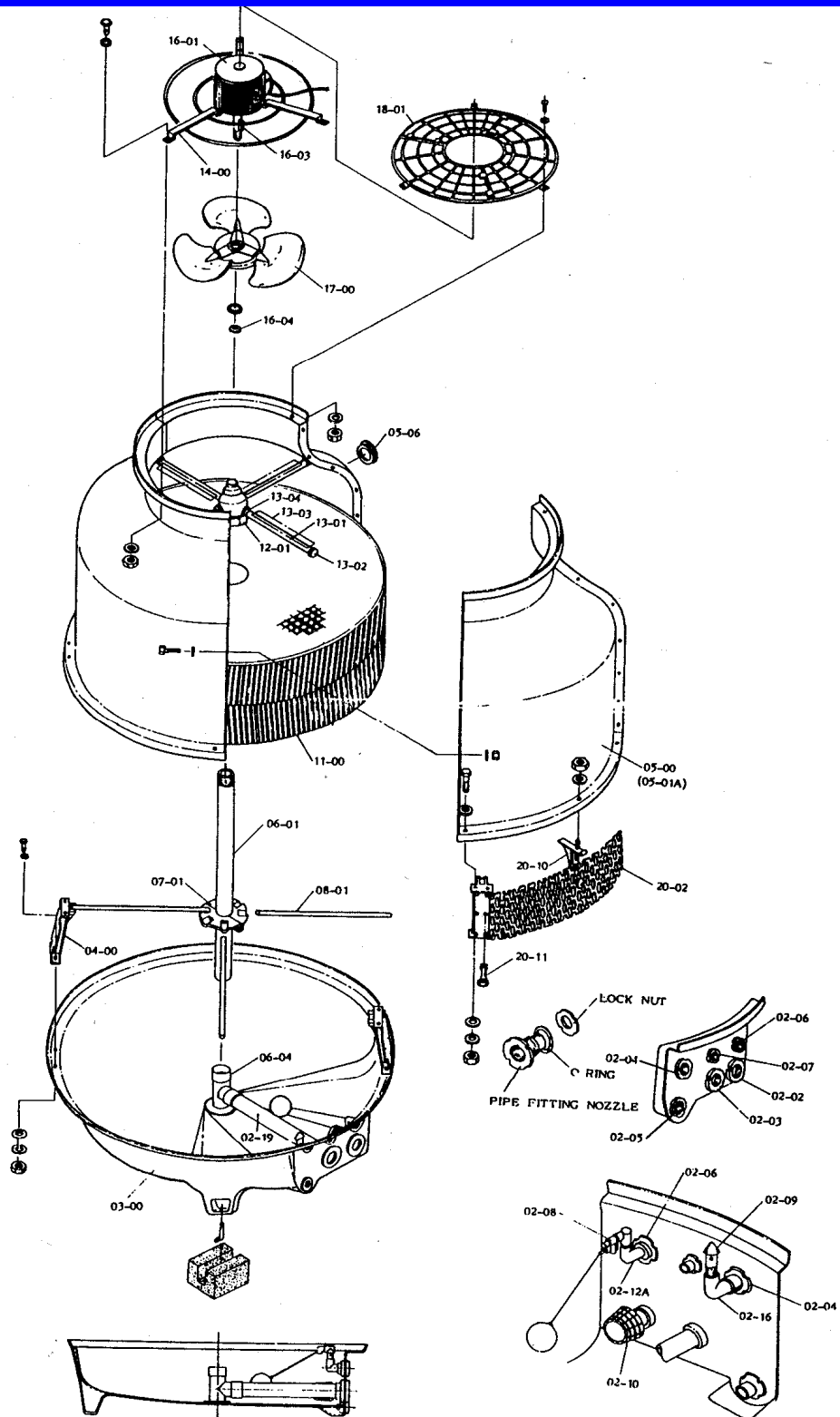
www.coolingtowersystems.com

info@coolingtowersystems.com



Cooling Tower Systems, Inc.

ASSEMBLY DIAGRAM: MODEL T-215



Cooling Tower Systems, Inc.

3170 Mercer University Dr., Macon, GA 31204

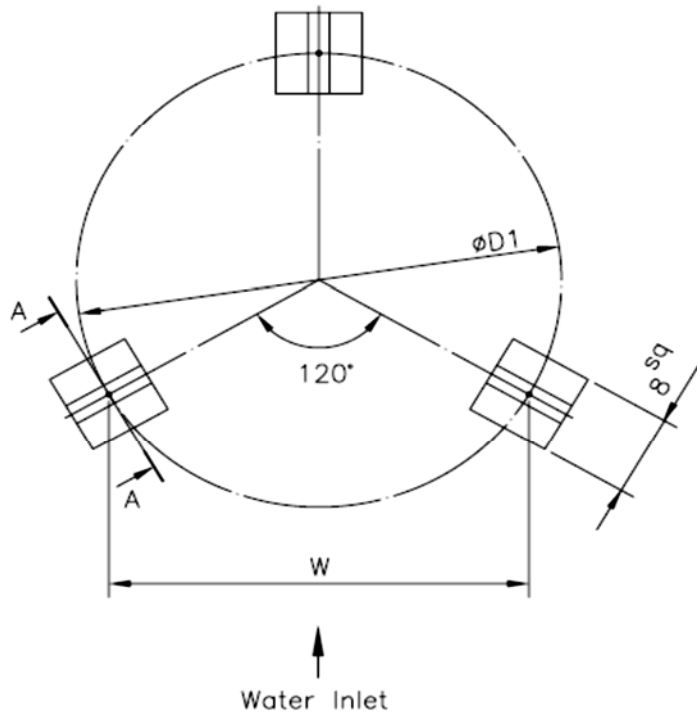
TF: 800.752.1905

F: 478.755.8304

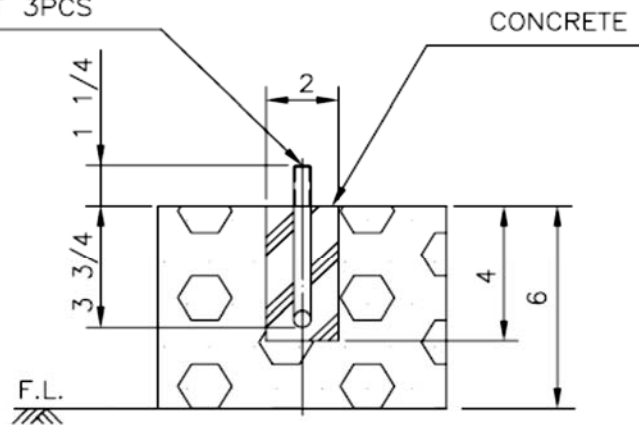
www.coolingtowersystems.com

info@coolingtowersystems.com

| T- | øD1 | W |
|-------|--------|--------|
| 25~28 | 21 5/8 | 18 3/4 |
| 210 | 29 1/2 | 25 5/8 |
| 215 | 34 5/8 | 30 |
| 220 | 44 | 38 1/4 |



1 1/4" ALL THREAD PROJECTION
 W1/2x5L, L TYPE ANCHOR BOLT 3PCS



A-A SECTION

Cooling Tower Systems, Inc.

3170 Mercer University Dr., Macon, GA 31204

TF: 800.752.1905

F: 478.755.8304

www.coolingtowersystems.com

info@coolingtowersystems.com