



The best just got better

MODEL T-2150

TOWER SPECIFICATIONS



Cooling Tower Systems, Inc.

196 Lower Cherry Street Macon, GA 31201

TF: 800.752.1905

F: 478.755.8304

www.coolingtowersystems.com

info@coolingtowersystems.com



TOWER SPECIFICATIONS: MODEL T-2150 Cooling Tower Systems, Inc.

| Design and Operating Conditions | | Water Distribution System Construction Materials | |
|------------------------------------|---------------------------------|--|---------------------|
| Tower Type: | Counter Flow Induced Draft | Stand Pipe: | PVC |
| Water Flow Rate (GPM): | 446 GPM | Sprinkler Head: | AC |
| Entering Water Temperature | 95°F | Sprinkler Pipes: | PVC |
| Leaving Water Temperature | 85°F | Mechanical Equipment | |
| Wet Bulb Temperature: | 75°F | Fan Unit: | One Unit per Tower |
| Total Fan BHP: | 5 HP | Type: | Axial Flow |
| Total Pump Head: | 10' | Manufacturer: | CTS |
| Drift Loss of Water Flow: | 0.1% | Diameter: | 68 7/8" |
| Evaporation Loss of Water Flow: | 0.93% | Blade Material: | AC |
| Design Wind Load: | 41 lbs/sq. ft. | Hub Material: | AC |
| Structural Details | | Nominal Air Volume: | 33,260 CFM |
| Overall Diameter: | 130" | Fan Motor | |
| Overall Height: | 90" | Number of motors: | One Unit per Tower |
| Dry Weight: | 1,377 lbs. | Type: | Induction |
| Operating Weight: | 6,181 lbs. | Manufacturer: | CTS |
| Basic Tower Construction Materials | | Insulation: | F Class |
| Tower Support Frame Assembly | - | Rated HP: | 5 HP |
| Casing: | FRP | Voltage and phase: | 208-230/460V/3 |
| Casing Supporters | HDGS | Piping Connections | |
| Cold Water Basin | FRP | Primary Water Inlet Diameter | 6" |
| Filling: | PVC | Primary Water Outlet Diameter: | 6" |
| Filling Supports: | HDGS | Auto fill inlet diameter: | 1" |
| Fan Guard | HDGS | Quick fill inlet diameter: | - |
| Mechanical Equipment Supports: | HDGS | Overflow outlet diameter: | 2" |
| Inlet Louvers: | PVC | Drain diameter: | 1" |
| Bolts, Nuts & Washers: | STS | Water Flow (GPM): | 446 GPM |
| Materials Key | | | |
| FRP | Fiberglass Reinforced Polyester | STS | Stainless Steel |
| HDGS | Hot Dipped Galvanized Steel | AC | Aluminum Alloy Cast |

Cooling Tower Systems, Inc.

196 Lower Cherry Street Macon, GA 31201

TF: 800.752.1905

F: 478.755.8304

www.coolingtowersystems.com

info@coolingtowersystems.com

PARTS LIST: MODEL T-2150

| FOR ASSEMBLY DIAGRAM | | |
|----------------------|--------------------------|-----|
| Ref. No. | Description | QTY |
| 01-02 | Ring Frame | 4 |
| 01-05 | Truss Pipe Assembly | 4 |
| 02-01 | Water Sump | 1 |
| 02-02 | Outlet Nozzle | 1 |
| 02-03 | Inlet Nozzle | 1 |
| 02-04 | Over Flow Nozzle | 1 |
| 02-05 | Drain Nozzle | 1 |
| 02-06 | Automatic Filler Nozzle | 1 |
| 02-08 | Float Valve Assembly | 1 |
| 02-09 | Over Flow | 1 |
| 02-10 | Suction Strainer | 1 |
| 02-12A | Connector Pipe | 1 |
| 02-16 | Elbow | 1 |
| 03-01 | Water Basin | 6 |
| 04-00 | Casing Supporter | 6 |
| 05-01A | Casing | 6 |
| 05-06 | Hand Hole Cover | 1 |
| 06-01 | Stand Pipe | 1 |
| 06-02 | Stand Pipe Base | 1 |
| 06-03 | Packing | 1 |
| 07-02 | Column | 1 |
| 08-01 | Filling Supporter - A | 6 |
| 08-02 | Filling Supporter - B | 6 |
| 08-03 | Filling Supporter - C | 12 |
| 08-04 | Fill Supt. Clamping Band | 12 |
| 10-01 | Ladder (A Section) | 1 |
| 10-02 | Ladder (B Section) | 1 |
| 10-03 | Ladder Bracket - A | 2 |
| 10-04 | Ladder Bracket - B | 2 |
| 11-01 | Filling (Inner Section) | - |
| 11-04 | Filling (1/4 Section) | 8 |
| 11-06 | Filling (1/6 Section) | - |
| 12-01 | Sprinkler Head | 1 |
| 12-02 | Center Post | 1 |
| 12-03 | Turnbuckle | 4 |
| 12-04 | Tension Wire | 4 |
| 13-02 | End Cap | 4 |
| 13-03 | Eliminator | 4 |
| 14-01 | Frame Ass'y Main Pipe | 2 |
| 14-02 | Frame Ass'y Main Pipe | - |
| 15-01 | Motor Base | 1 |
| 15-02 | U-Bolt | - |
| 16-01 | Motor | 1 |
| 16-00 | Motor Base Plate | 1 |
| 16-03 | Fan Key | 1 |
| 16-04 | Fasten Nut | 1 |
| 16-05 | Lock Nut | - |
| 17-01 | Fan Hub | 1 |
| 17-02 | Fan Blade | 1 |
| 17-04 | U-Bolt | - |
| 18-01 | Fan Guard | 1 |

| | | |
|--------|------------------|-------|
| 20-02 | Inlet Louver | 12 |
| 20-01A | Louver Supporter | 12 |
| 20-01B | Down Plug | 12 |
| 20-01C | Up Plug | 12 |
| 20-08 | Wing Bolt | 24 |
| 20-09 | Plastic Washer | 24 |
| OTHERS | Bolts & Nuts | 1 SET |

| FOR TECHNICAL DIAGRAMS | | | |
|------------------------|----------------------|----------|-------|
| Item | Description | Material | QTY |
| 1 | Fan Motor | - | 1 pcs |
| 2 | V-Belt Reducer | - | - |
| 3 | Motor Frame Assembly | HDGS | 1 set |
| 4 | Fan Blade Assembly | AC | 1 set |
| 5 | Fan Guard | HDGS | 1 set |
| 6 | Casing | FRP | 6 pcs |
| 7 | Hand Hole | EVA | 1 pcs |
| 8 | Sprinkler Head | Nylon | 1 set |
| 9 | Sprinkler Pipes | PVC | 4 pcs |
| 10 | Eliminator | PVC | 4 pcs |
| 11 | Tension Device | - | - |
| 12 | Stand Pipe | PVC | 1 set |
| 13 | Filling | PVC | 1 set |
| 14 | Stopper or Column | AC | 1 set |
| 15 | Filling Supporter | HDGS | 1 set |
| 16 | Casing Supporter | HDGS | 6 pcs |
| 17 | Inlet Louver | PVC | 1 set |
| 18 | Frame Assembly | - | - |
| 19 | Water Basin | FRP | 5 pcs |
| 20 | Water Sump | FRP | 1 pcs |
| 21 | Ladder | HDGS | 1 set |
| 22 | Strainer | PE | 1 pcs |
| 23 | Flange | HDGS | 2 pcs |
| 24 | Basin Supporter | - | - |

| Materials Key | |
|------------------------------|---------------------------------|
| FRP | Fiberglass Reinforced Polyester |
| HDGS | Hot Dipped Galvanized Steel |
| STS | Stainless Steel |
| AC | Aluminum Alloy Cast |
| Water Basin Sealing Material | |
| Fiberglass | 1 Set—A |
| Polyester Resin | 1 Keg—B |
| Catalyst | 1 Bottle—C |

Cooling Tower Systems, Inc.

196 Lower Cherry Street Macon, GA 31201

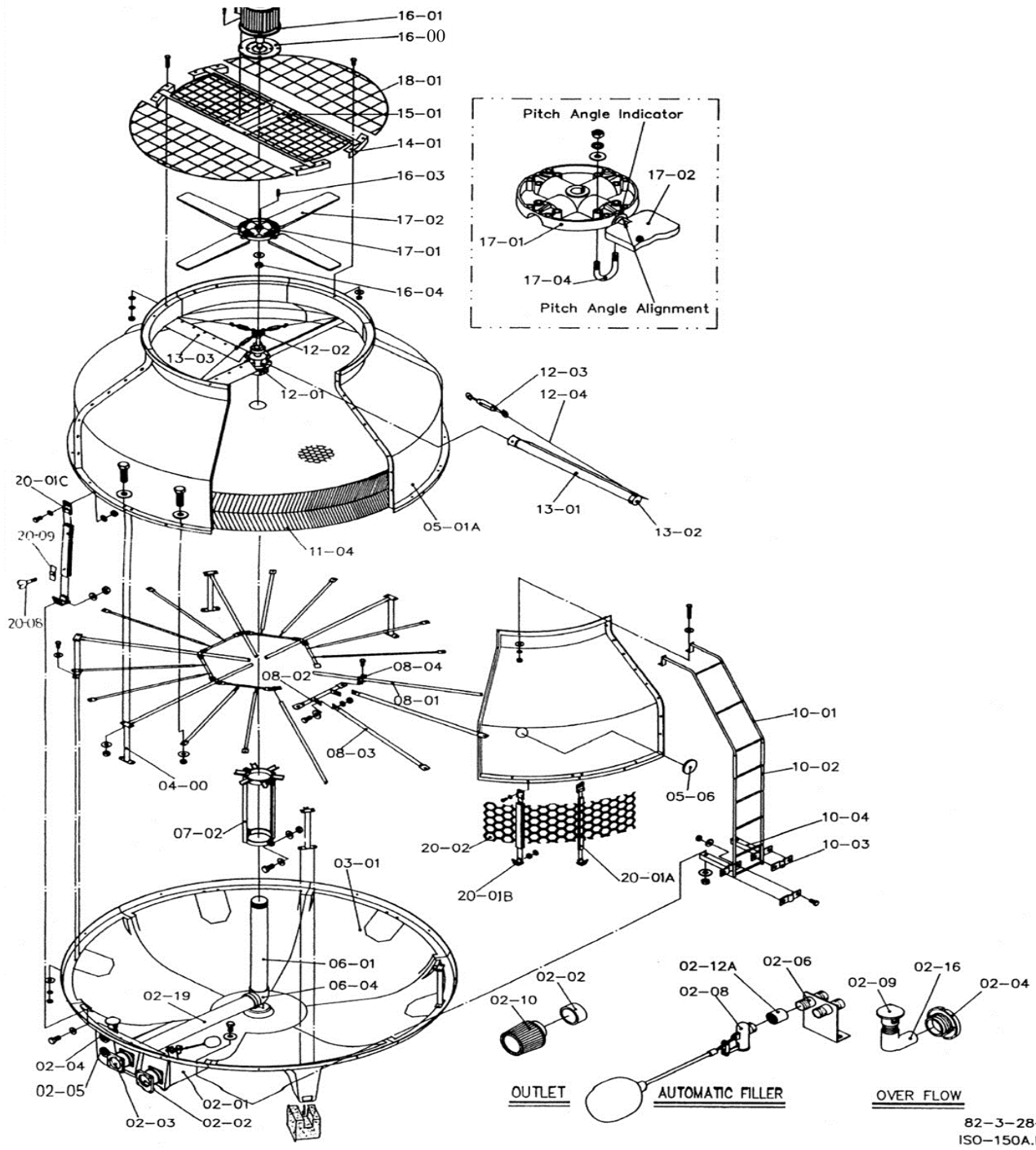
TF: 800.752.1905

F: 478.755.8304

www.coolingtowersystems.com

info@coolingtowersystems.com

ASSEMBLY DIAGRAM: MODEL T-2150



Cooling Tower Systems, Inc.

196 Lower Cherry Street Macon, GA 31201

TF: 800.752.1905

F: 478.755.8304

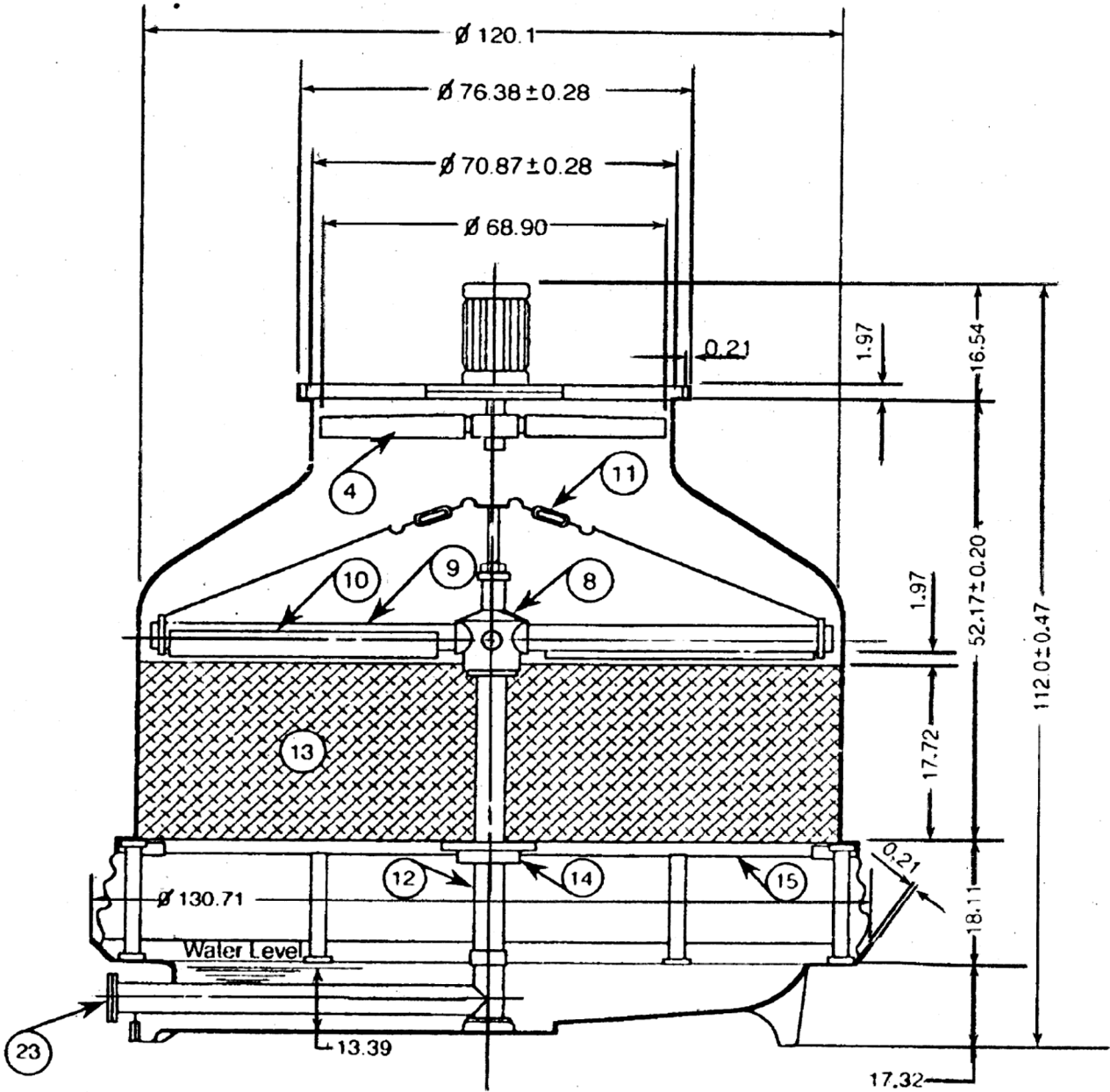
www.coolingtowersystems.com

info@coolingtowersystems.com



Cooling Tower Systems, Inc.

TECHNICAL IMAGE A: MODEL T-2150



Cooling Tower Systems, Inc.

196 Lower Cherry Street Macon, GA 31201

TF: 800.752.1905

F: 478.755.8304

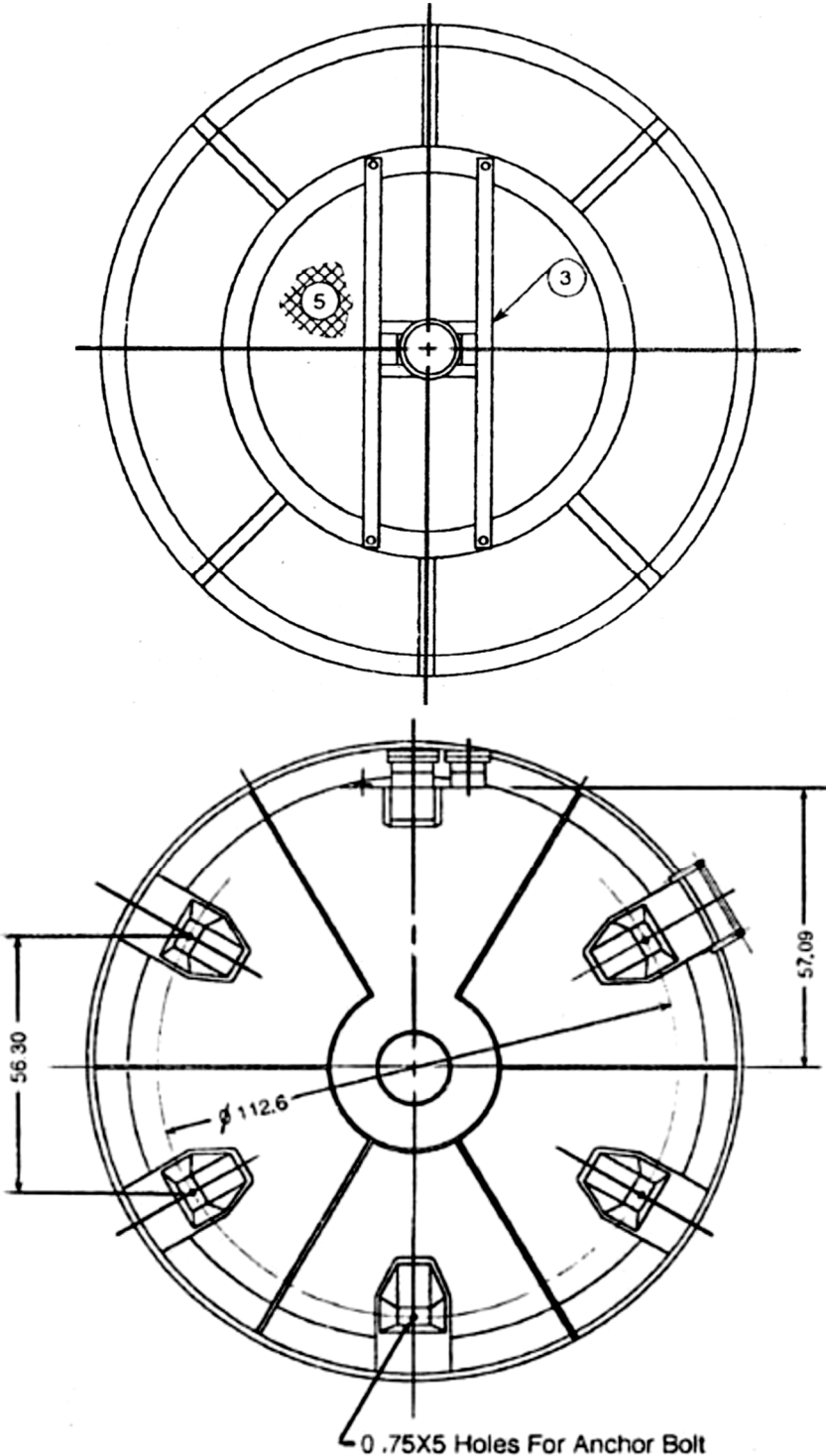
www.coolingtowersystems.com

info@coolingtowersystems.com



Cooling Tower Systems, Inc.

TECHNICAL IMAGE B & C: MODEL T-



Cooling Tower Systems, Inc.

196 Lower Cherry Street Macon, GA 31201

TF: 800.752.1905

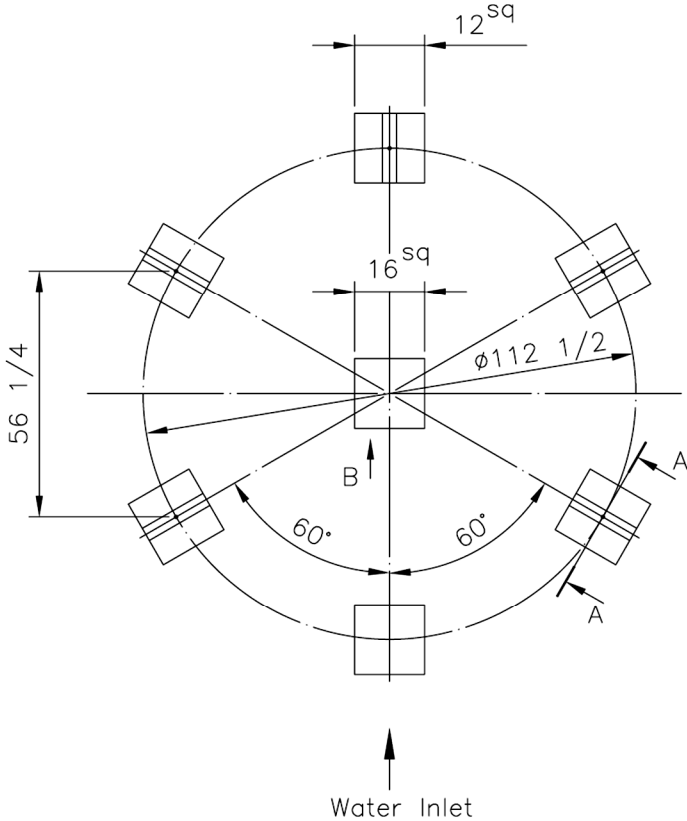
F: 478.755.8304

www.coolingtowersystems.com

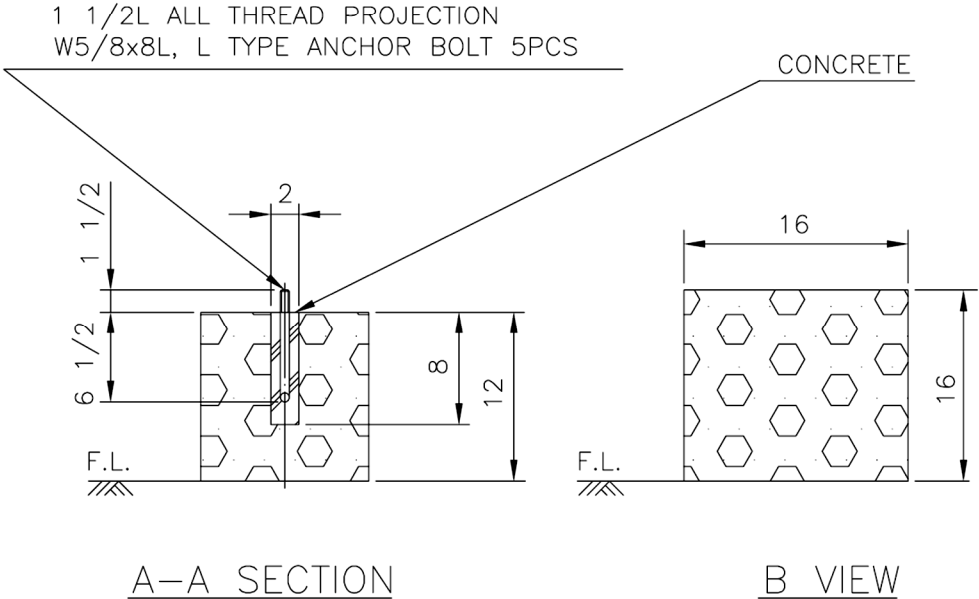
info@coolingtowersystems.com



FOUNDATION DRAWING: MODEL T-2150 Cooling Tower Systems, Inc.



On all tower models T-270 and above, please pay close attention to recommended support foundation for center of cooling tower and outward area where inlet/outlet fittings of cooling tower exist



Cooling Tower Systems, Inc.

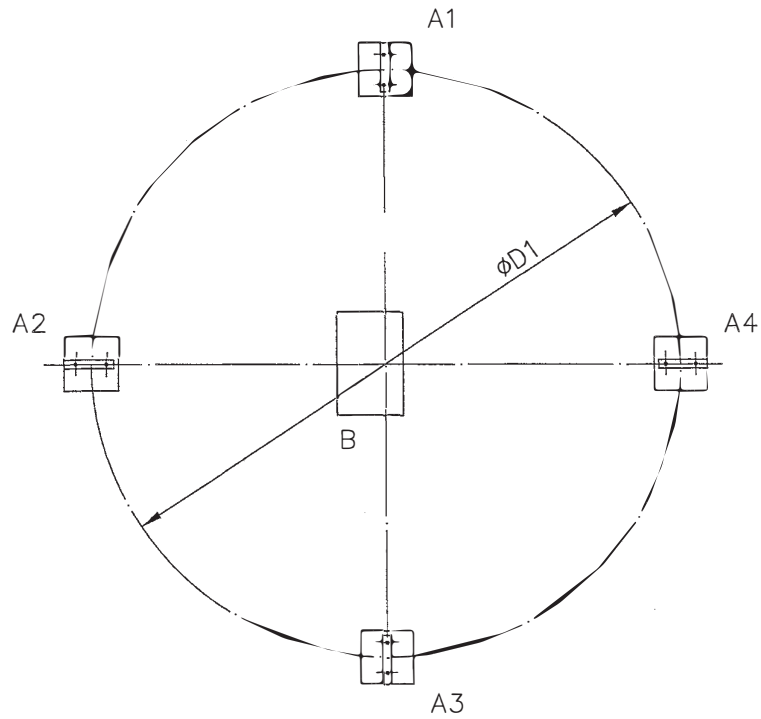
3170 Mercer University Dr., Macon, GA 31204

TF: 800.752.1905


F: 478.755.8304

www.coolingtowersystems.com

info@coolingtowersystems.com



| TOWER MODEL T-2 | ϕD | LIVE LOAD | | DEAD LOAD | |
|--------------------|------------|-----------|--------|-----------|---------|
| | | A1=...=A4 | B | A1=...=A4 | B |
| 150 | 112 5/8" | 142lb | 807lb | 738lb | 3230lb |
| 175 | 112 5/8" | 162lb | 921lb | 763lb | 3327lb |
| 200 | 132" | 198lb | 1124lb | 893lb | 4800lb |
| 225 | 132" | 219lb | 1240lb | 925lb | 4869lb) |
| 250 | 132" | 235lb | 1331lb | 953lb | 4912lb |
| 300 | (156 1/8") | 292lb | 1658lb | 957lb | 5385lb |
| 350 | (169 1/8") | 310lb) | 1760lb | 1031lb | 5840lb |

| | | | NOTE | | |
|-------|---|--|---|---|-----------|
| TITLE | T-2150~2350 | | CTS | | |
| | DESIGN LIVE LOAD AND DEAD LOAD ON FOUNDATION BASE | | | | |
| | <i>Lee</i> | | MM | / | '20·08 25 |
| | | |  | | |