



The best just got better

MODEL T-2125

TOWER SPECIFICATIONS





TOWER SPECIFICATIONS: MODEL T-2125 Cooling Tower Systems, Inc.

Design and Operating Conditions		Water Distribution System Construction Materials	
Tower Type:	Counter Flow Induced Draft	Stand Pipe:	PVC
Water Flow Rate (GPM):	369 GPM	Sprinkler Head:	AC
Entering Water Temperature	95°F	Sprinkler Pipes:	PVC
Leaving Water Temperature	85°F	Mechanical Equipment	
Wet Bulb Temperature:	75°F	Fan Unit:	One Unit per Tower
Total Fan BHP:	3 HP	Type:	Axial Flow
Total Pump Head:	10'	Manufacturer:	CTS
Drift Loss of Water Flow:	0.1%	Diameter:	57 7/8"
Evaporation Loss of Water Flow:	0.93%	Blade Material:	AC
Design Wind Load:	41 lbs/sq. ft.	Hub Material:	AC
Structural Details		Nominal Air Volume:	29,060 CFM
Overall Diameter:	120 1/8"	Fan Motor	
Overall Height:	87"	Number of motors:	One Unit per Tower
Dry Weight:	1,025 lbs.	Type:	Induction
Operating Weight:	2,983 lbs.	Manufacturer:	CTS
Basic Tower Construction Materials		Insulation:	F Class
Tower Support Frame Assembly	-	Rated HP:	3 HP
Casing:	FRP	Voltage and phase:	220/440V/3
Casing Supporters	HDGS	Piping Connections	
Cold Water Basin	FRP	Primary Water Inlet Diameter	6"
Filling:	PVC	Primary Water Outlet Diameter:	6"
Filling Supports:	HDGS	Auto fill inlet diameter:	1"
Fan Guard	HDGS	Quick fill inlet diameter:	-
Mechanical Equipment Supports:	HDGS	Overflow outlet diameter:	2"
Inlet Louvers:	PVC	Drain diameter:	1"
Bolts, Nuts & Washers:	STS	Water Flow (GPM):	369 GPM
Materials Key			
FRP	Fiberglass Reinforced Polyester	STS	Stainless Steel
HDGS	Hot Dipped Galvanized Steel	AC	Aluminum Alloy Cast

Cooling Tower Systems, Inc.

3170 Mercer University Dr., Macon, GA 31204

TF: 800.752.1905

F: 478.755.8304

www.coolingtowersystems.com

info@coolingtowersystems.com



PARTS LIST: MODEL T-2125

Cooling Tower Systems, Inc.

FOR ASSEMBLY DIAGRAM				FOR ASSEMBLY DIAGRAM			
Ref. No.	Description	QTY		Ref. No.	Description	QTY	
02-01	Water Sump	1		10-01	Ladder (A Section)	1	
02-02	Outlet Nozzle	1		10-02	Ladder (B Section)	1	
02-03	Inlet Nozzle	1		10-03	Ladder Bracket - A	2	
02-04	Over Flow Nozzle	1		10-04	Ladder Bracket - B	2	
02-05	Drain Nozzle	1		11-02	Filling 1/2 Section	-	
02-06	Automatic Filler Nozzle	1		11-03	Filling 1-3 Section	6	
02-07	Quick Filler Nozzle	1		12-01	Sprinkler Head	1	
02-08	Float Valve Assembly	1		12-02	Center Post	1	
02-09	Over Flow	1		12-03	Turnbuckle	4	
02-10	Suction Strainer	1		12-04	Tension Wire	4	
02-12A	Z Type Connector	1		13-02	Sprinkler Pipe	4	
02-16	Elbow	1		13-03	End Cap	4	
02-19	Inlet Pipe	1		14-00	Motor Frame Assembly	4	
03-01	Water Basin	5		16-01	Fan Motor	1	
04-00	Casing Supporter	6		16-03	Fan Key	1	
05-01A	Casing	6		16-04	Fasten Nut	1	
05-06	Hand Hole Cover	1		17-01	Fan Hub	1	
06-01	Stand Pipe	1		17-02	Fan Blade	4	
06-04	Stand Pipe Base	-		17-04	U-Bolt	4	
07-01	Stopper	-		18-01	Fan Guard	2	
07-02	Column	1		20-02	Inlet Louver	12	
08-01	Filling Supporter - A	6		20-03	PVC Frame	7	
08-02	Filling Supporter - B	6		20-04	Louver Clip	14	
08-03	Filling Supporter - C	12		20-05	Louver Hook	18	
08-04	Fill Supt. Clamping Band	6		20-06	Lug Plate	18	
				20-07	Wing Nut	18	
				OTHERS	Bolts & Nuts	1 SET	

Cooling Tower Systems, Inc.

3170 Mercer University Dr., Macon, GA 31204

TF: 800.752.1905

F: 478.755.8304

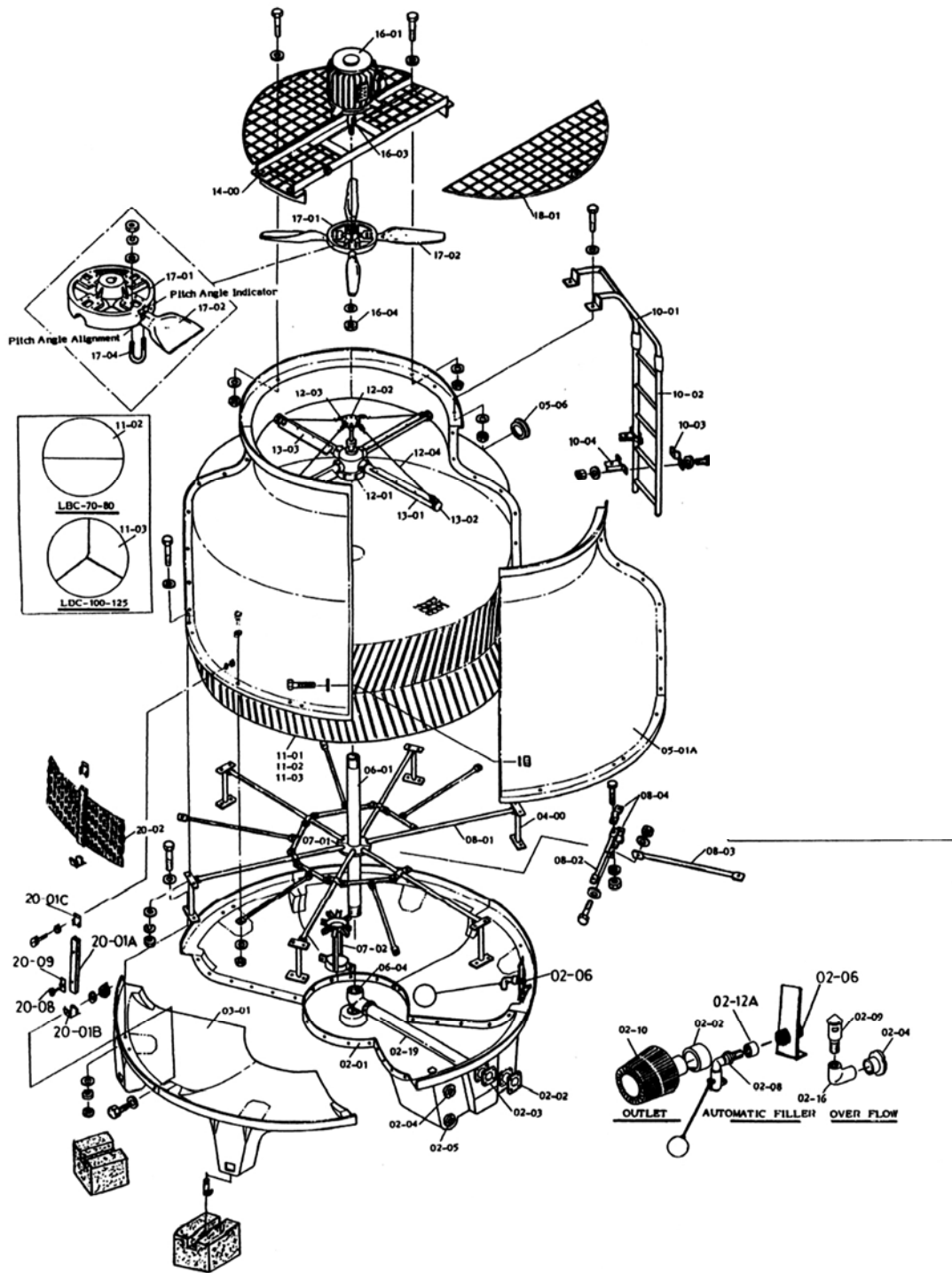
www.coolingtowersystems.com

info@coolingtowersystems.com



ASSEMBLY DIAGRAM: MODEL T-2125

Cooling Tower Systems, Inc.



Cooling Tower Systems, Inc.

3170 Mercer University Dr., Macon, GA 31204

TF: 800.752.1905

F: 478.755.8304

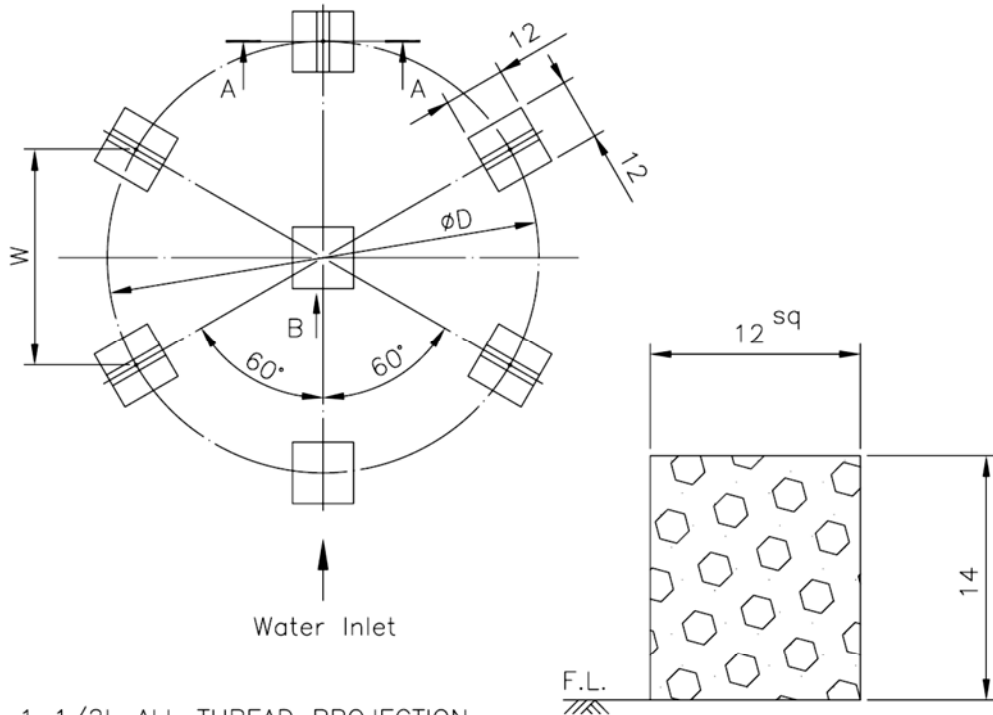
www.coolingtowersystems.com

info@coolingtowersystems.com



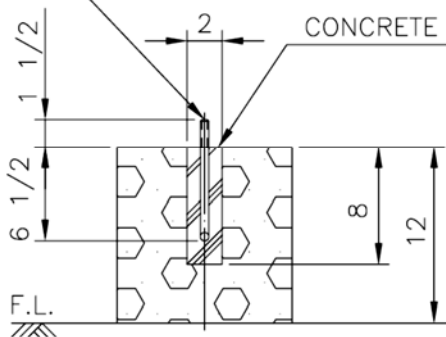
FOUNDATION DRAWING: MODEL T-2125 Cooling Tower Systems, Inc.

T-	øD	W	L TYPE ANCHOR BOLT		
			SIZE	L	PCS
2100	92 1/2	46 1/4	W 5/8	8	5
2125	103 1/8	51 1/2	W 5/8	8	5



1 1/2L ALL THREAD PROJECTION
W5/8X8L, L TYPE ANCHOR BOLT 5 PCS

B VIEW



A-A SECTION

Cooling Tower Systems, Inc.

3170 Mercer University Dr., Macon, GA 31204

TF: 800.752.1905

F: 478.755.8304

www.coolingtowersystems.com

info@coolingtowersystems.com