



# MODEL T-210 TOWER SPECIFICATIONS



Cooling Tower Systems, Inc.

3170 Mercer University Dr., Macon, GA 31204

TF: 800.752.1905

F: 478.755.8304

[www.coolingtowersystems.com](http://www.coolingtowersystems.com)

[info@coolingtowersystems.com](mailto:info@coolingtowersystems.com)



# TOWER SPECIFICATIONS: MODEL T-210 Cooling Tower Systems, Inc.

Design and Operating Conditions		Water Distribution System Construction Materials	
Tower Type:	Counter Flow Induced Draft	Stand Pipe:	PVC
Water Flow Rate (GPM):	29 GPM	Sprinkler Head:	Nylon
Entering Water Temperature	95°F	Sprinkler Pipes:	PVC
Leaving Water Temperature	85°F	<b>Mechanical Equipment</b>	
Wet Bulb Temperature:	75°F	Fan Unit:	One Unit per Tower
Total Fan BHP:	1/4 HP	Type:	Axial Flow
Total Pump Head:	5.0'	Manufacturer:	CTS
Drift Loss of Water Flow:	0.1%	Diameter:	26 3/8"
Evaporation Loss of Water Flow:	0.93%	Blade Material:	Nylon
Design Wind Load:	30.7 lbs/sq. ft.	Hub Material:	Nylon
<b>Structural Details</b>		Nominal Air Volume:	3,500 CFM
Overall Diameter:	41 3/4"	<b>Fan Motor</b>	
Overall Height:	54"	Number of motors:	One Unit per Tower
Dry Weight:	123 lbs.	Type:	Induction
Operating Weight:	443 lbs.	Manufacturer:	CTS
<b>Basic Tower Construction Materials</b>		Insulation:	F Class
Tower Support Frame Assembly	-	Rated HP:	1/4 HP
Casing:	FRP	Voltage and phase:	110/220V/1
Casing Supporters	Nylon	<b>Piping Connections</b>	
Cold Water Basin	FRP	Primary Water Inlet Diameter	1.5"
Filling:	PVC	Primary Water Outlet Diameter:	1.5"
Filling Supports:	PVC	Auto fill inlet diameter:	1/2"
Fan Guard	PP	Quick fill inlet diameter:	-
Mechanical Equipment Supports:	HDGS	Overflow outlet diameter:	1"
Inlet Louvers:	PVC	Drain diameter:	3/4"
Bolts, Nuts & Washers:	STS	Water Flow (GPM):	29 GPM
<b>Materials Key</b>			
FRP	Fiberglass Reinforced Polyester	STS	Stainless Steel
HDGS	Hot Dipped Galvanized Steel	AC	Aluminum Alloy Cast

### Cooling Tower Systems, Inc.

3170 Mercer University Dr., Macon, GA 31204

TF: 800.752.1905

F: 478.755.8304

www.coolingtowersystems.com

info@coolingtowersystems.com

# PARTS LIST: MODEL T-210

FOR ASSEMBLY DIAGRAM				FOR ASSEMBLY DIAGRAM		
Ref. No.	Description	QTY		Ref. No.	Description	QTY
02-02	Outlet Nozzle	1		13-03	Eliminator	-
02-03	Inlet Nozzle	1		13-04	Lock Nut	4
02-04	Over Flow Nozzle	1		14-00	Motor Frame Assembly	1
02-05	Drain Nozzle	1		16-01	Fan Motor	1
02-06	Automatic Filler Nozzle	1		16-03	Fan Key	1
02-07	Quick Filler Nozzle	1		16-04	Fasten Nut	1
02-08	Float Valve Assembly	1		17-00	Fan Assembly	1
02-09	Over Flow	1		18-01	Fan Guard	1
02-10	Suction Strainer	1		20-02	Inlet Louver	3
02-12A	Z Type Connector	1		20-10	Louver Bracket	-
02-16	Elbow	1		20-11	Knob Pin	6
02-19	Inlet Pipe	1		OTHERS	Bolts & Nuts	1 SET
03-00	Water Basin	1				
04-00	Casing Supporter	3				
05-01A	Casing	3				
05-06	Hand Hole Cover	1				
06-01	Stand Pipe	1				
06-04	Stand Pipe Base	1				
07-01	Stopper	1				
08-01	Filling Supporter - A	3				
11-00	Filling	2				
12-01	Sprinkler Head	1				
13-01	Sprinkler Pipe	4				
13-02	End Cap	-				

**Cooling Tower Systems, Inc.**

3170 Mercer University Dr., Macon, GA 31204

TF: 800.752.1905

F: 478.755.8304

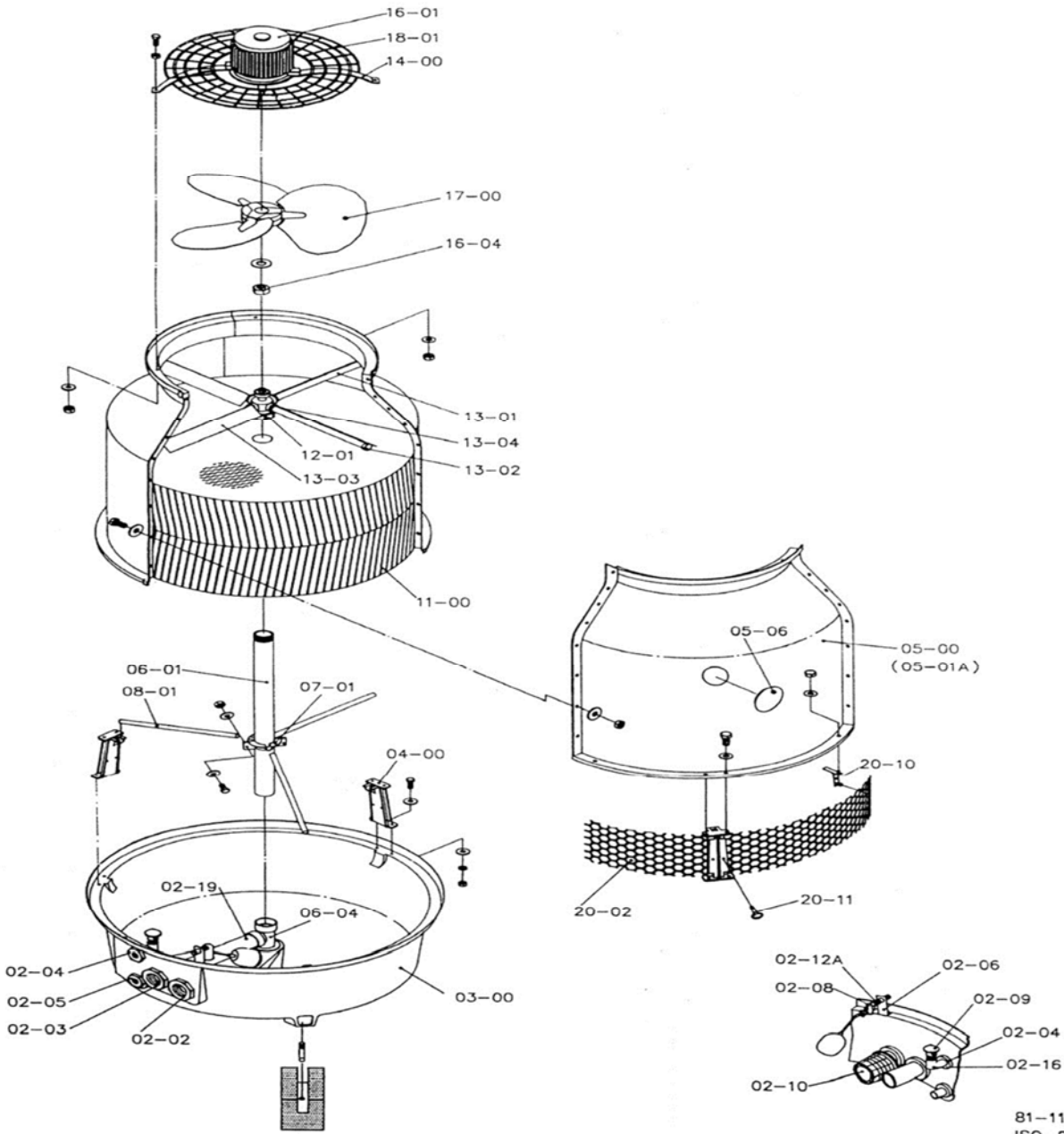
[www.coolingtowersystems.com](http://www.coolingtowersystems.com)

[info@coolingtowersystems.com](mailto:info@coolingtowersystems.com)



Cooling Tower Systems, Inc.

# ASSEMBLY DIAGRAM: MODEL T-210



81-11-26-8  
ISO-25-C.DWG

Cooling Tower Systems, Inc.

3170 Mercer University Dr., Macon, GA 31204

TF: 800.752.1905

F: 478.755.8304

www.coolingtowersystems.com

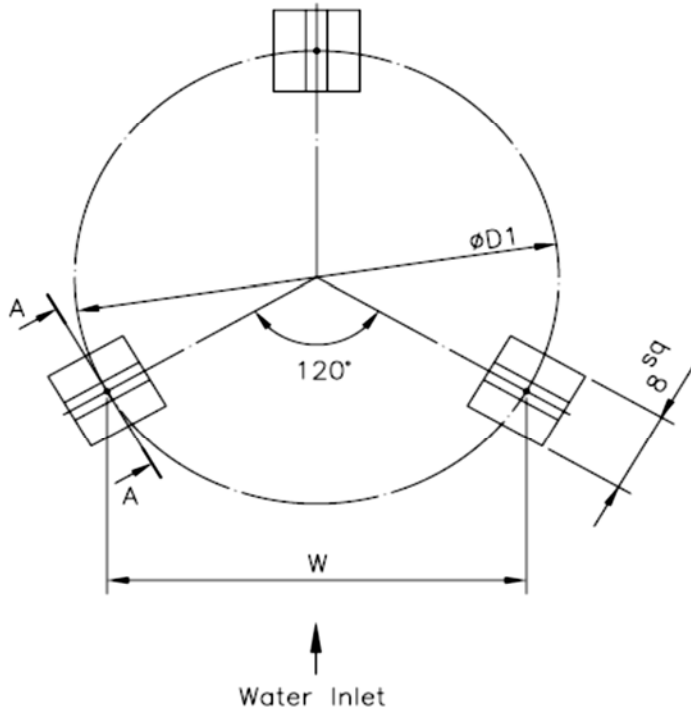
info@coolingtowersystems.com



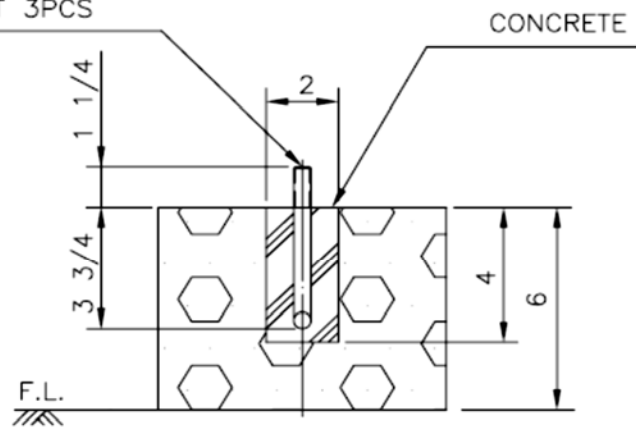
# FOUNDATION DRAWING: MODEL T-210

Cooling Tower Systems, Inc.

T-	øD1	W
25~28	21 5/8	18 3/4
210	29 1/2	25 5/8
215	34 5/8	30
220	44	38 1/4



1 1/4" ALL THREAD PROJECTION  
 W1/2x5L, L TYPE ANCHOR BOLT 3PCS



A-A SECTION

Cooling Tower Systems, Inc.

3170 Mercer University Dr., Macon, GA 31204

TF: 800.752.1905

F: 478.755.8304

www.coolingtowersystems.com

info@coolingtowersystems.com