



The best just got better

---

# MODEL T-2100

# TOWER SPECIFICATIONS



---

Cooling Tower Systems, Inc.

196 Lower Cherry Street Macon, GA 31201

TF: 800.752.1905

F: 478.755.8304

[www.coolingtowersystems.com](http://www.coolingtowersystems.com)

[info@coolingtowersystems.com](mailto:info@coolingtowersystems.com)



# TOWER SPECIFICATIONS: MODEL T-2100 Cooling Tower Systems, Inc.

Design and Operating Conditions		Water Distribution System Construction Materials	
Tower Type:	Counter Flow Induced Draft	Stand Pipe:	PVC
Water Flow Rate (GPM):	295 GPM	Sprinkler Head:	AC
Entering Water Temperature	95°F	Sprinkler Pipes:	PVC
Leaving Water Temperature	85°F	<b>Mechanical Equipment</b>	
Wet Bulb Temperature:	79°F	Fan Unit:	One Unit per Tower
Total Fan BHP:	3 HP	Type:	Axial Flow
Total Pump Head:	8.2'	Manufacturer:	CTS
Drift Loss of Water Flow:	0.1%	Diameter:	57 7/8"
Evaporation Loss of Water Flow:	0.93%	Blade Material:	AC
Design Wind Load:	41 lbs/sq. ft.	Hub Material:	AC
<b>Structural Details</b>		Nominal Air Volume:	24,500 CFM
Overall Diameter:	104 3/8"	<b>Fan Motor</b>	
Overall Height:	85 1/16"	Number of motors:	One Unit per Tower
Dry Weight:	889 lbs.	Type:	Induction
Operating Weight:	3,952 lbs.	Manufacturer:	CTS
<b>Basic Tower Construction Materials</b>		Insulation:	F Class
Tower Support Frame Assembly	-	Rated HP:	3 HP
Casing:	FRP	Voltage and phase:	208-230/460V/3
Casing Supporters	HDGS	<b>Piping Connections</b>	
Cold Water Basin	FRP	Primary Water Inlet Diameter	4"
Filling:	PVC	Primary Water Outlet Diameter:	4"
Filling Supports:	HDGS	Auto fill inlet diameter:	1"
Fan Guard	HDGS	Quick fill inlet diameter:	-
Mechanical Equipment Supports:	HDGS	Overflow outlet diameter:	1"
Inlet Louvers:	PVC	Drain diameter:	1"
Bolts, Nuts & Washers:	STS	Water Flow (GPM):	295 GPM
<b>Materials Key</b>			
FRP	Fiberglass Reinforced Polyester	STS	Stainless Steel
HDGS	Hot Dipped Galvanized Steel	AC	Aluminum Alloy Cast

### Cooling Tower Systems, Inc.

196 Lower Cherry Street Macon, GA 31201

TF: 800.752.1905

F: 478.755.8304

www.coolingtowersystems.com

info@coolingtowersystems.com



Cooling Tower Systems, Inc.

# PARTS LIST: MODEL T-2100

FOR ASSEMBLY DIAGRAM		
Ref. No.	Description	QTY
02-01	Water Sump	1
02-02	Outlet Nozzle	1
02-03	Inlet Nozzle	1
02-04	Over Flow Nozzle	1
02-05	Drain Nozzle	1
02-06	Automatic Filler Nozzle	1
02-08	Float Valve Assembly	1
02-09	Over Flow	1
02-10	Suction Strainer	1
02-12A	Connector	1
02-16	Elbow	1
02-19	Inlet Pipe	1
03-01	Water Basin	5
04-00	Casing Supporter	6
05-01A	Casing	6
05-06	Hand Hole Cover	1
06-01	Stand Pipe	1
06-04	Stand Pipe Base	1
07-01	Stopper	1
07-02	Column	-
08-01	Filling Supporter - A	6
08-02	Filling Supporter - B	6
08-03	Filling Supporter - C	12
08-04	Fill Supt. Clamping Band	12
10-01	Ladder (A Section)	1
10-02	Ladder (B Section)	1
10-03	Ladder Bracket - A	2
10-04	Ladder Bracket - B	2
11-02	Filling 1/2 Section	-
11-03	Filling 1/3 Section	6
12-01	Sprinkler Head	1
12-02	Center Post	1
12-03	Turnbuckle	1
12-04	Tension Wire	1
13-01	Sprinkler Pipe	4
13-02	End Cap	4
13-03	Eliminator	4
14-00	Motor Frame Assembly	1
16-01	Fan Motor	1
16-03	Fan Key	1
16-04	Fasten Nut	1
17-01	Fan Hub	1
17-02	Fan Blade	4
17-04	U-Bolt	8
18-01	Fan Guard	2
20-02	Inlet Louver	12
20-01-A	Louver Supporter	12
20-01-B	Down Plug	12
20-01-C	Up Plug	12
20-08	Wing Bolt	24
20-09	Plastic Washer	24
OTHERS	Bolts & Nuts	1 SET

FOR TECHNICAL DIAGRAMS			
Item No.	Description	Material	QTY
1	Fan Motor	-	1 pcs
2	V-Belt Reducer	-	-
3	Motor Frame Assembly	HDGS	1 set
4	Fan Blade Assembly	AC	1 set
5	Fan Guard	HDGS	1 set
6	Casing	FRP	6 pcs
7	Hand Hole	EVA	1 pcs
8	Sprinkler Head	Nylon	1 set
9	Sprinkler Pipes	PVC	4 pcs
10	Eliminator	PVC	4 pcs
11	Tension Device	-	-
12	Stand Pipe	PVC	1 set
13	Filling	PVC	1 set
14	Stopper or Column	AC	1 set
15	Filling Supporter	HDGS	1 set
16	Casing Supporter	HDGS	6 pcs
17	Inlet Louver	PVC	1 set
18	Frame Assembly	-	-
19	Water Basin	FRP	6 pcs
20	Water Sump	FRP	1 pcs
21	Ladder	HDGS	1 set
22	Strainer	PE	1 pcs
23	Flange	HDGS	2 pcs
24	Basin Supporter	-	-

### Materials Key

FRP	Fiberglass Reinforced Polyester
HDGS	Hot Dipped Galvanized Steel
STS	Stainless Steel
AC	Aluminum Alloy Cast

### Water Basin Sealing Material

Fiberglass	1 Set—A
Polyester Resin	1 Keg—B
Catalyst	1 Bottle—C

Cooling Tower Systems, Inc.

196 Lower Cherry Street Macon, GA 31201

TF: 800.752.1905

F: 478.755.8304

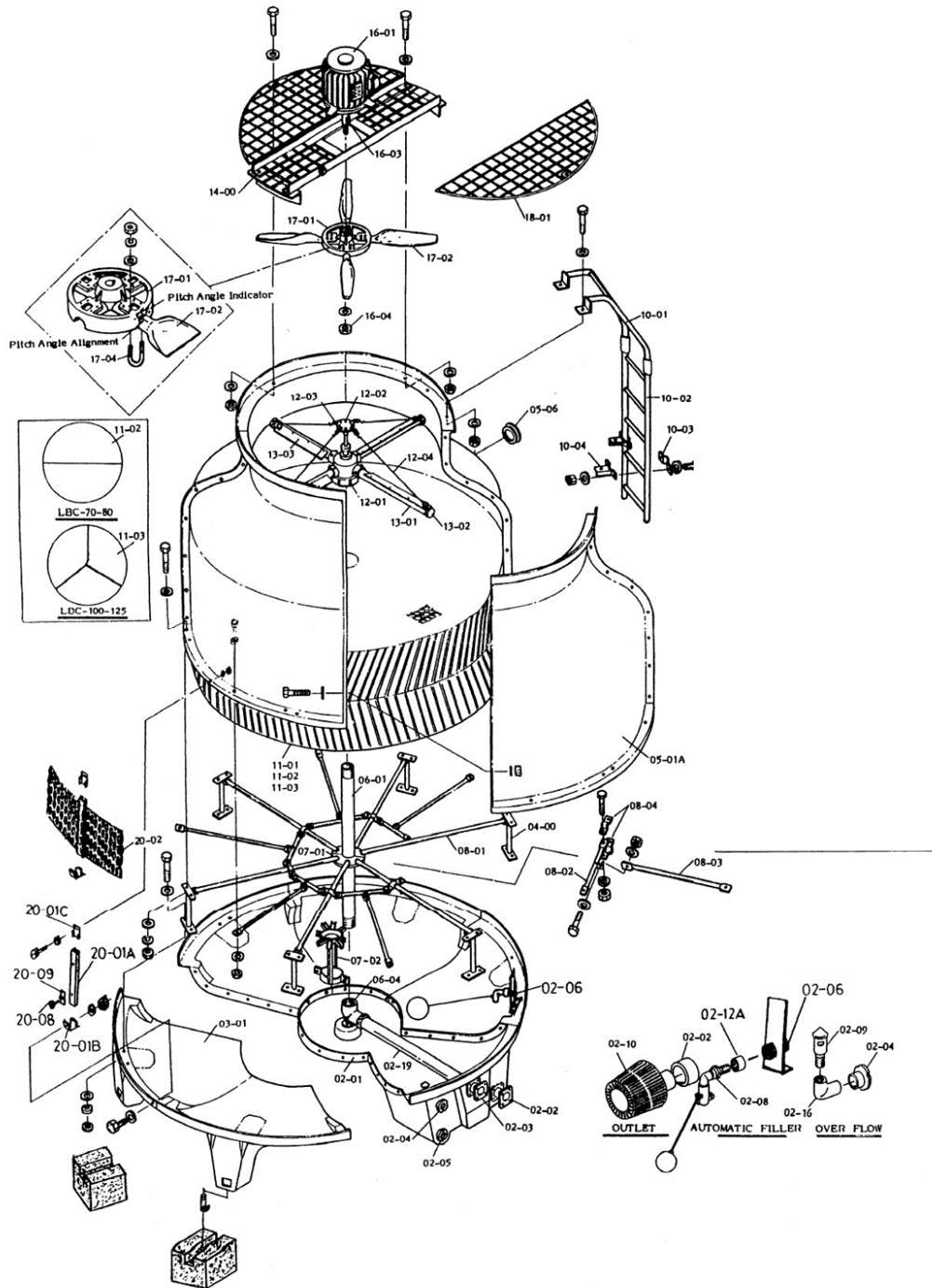
www.coolingtowersystems.com

info@coolingtowersystems.com



# ASSEMBLY DIAGRAM: MODEL T-2100

Cooling Tower Systems, Inc.



Cooling Tower Systems, Inc.

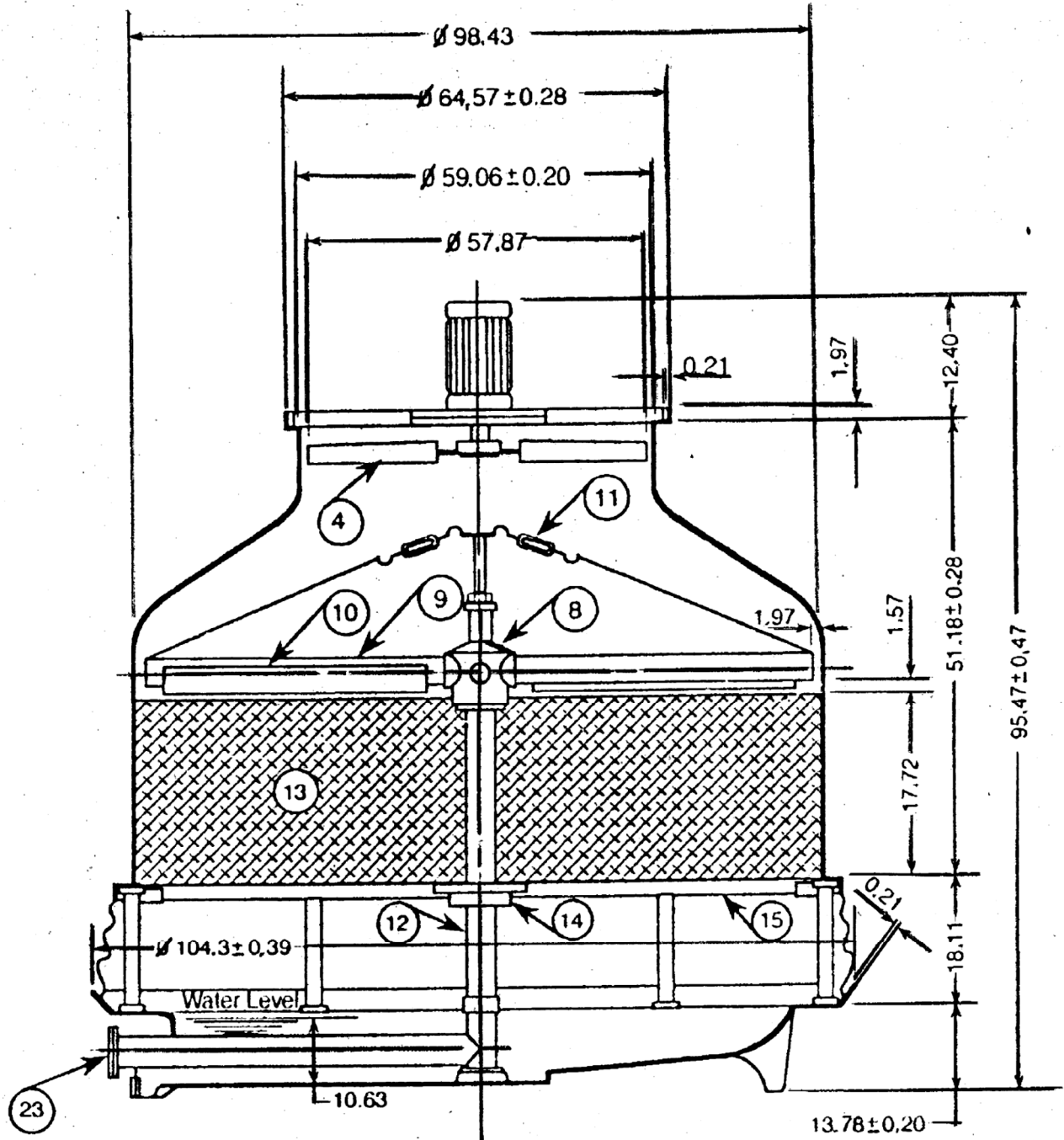
196 Lower Cherry Street Macon, GA 31201

TF: 800.752.1905

F: 478.755.8304

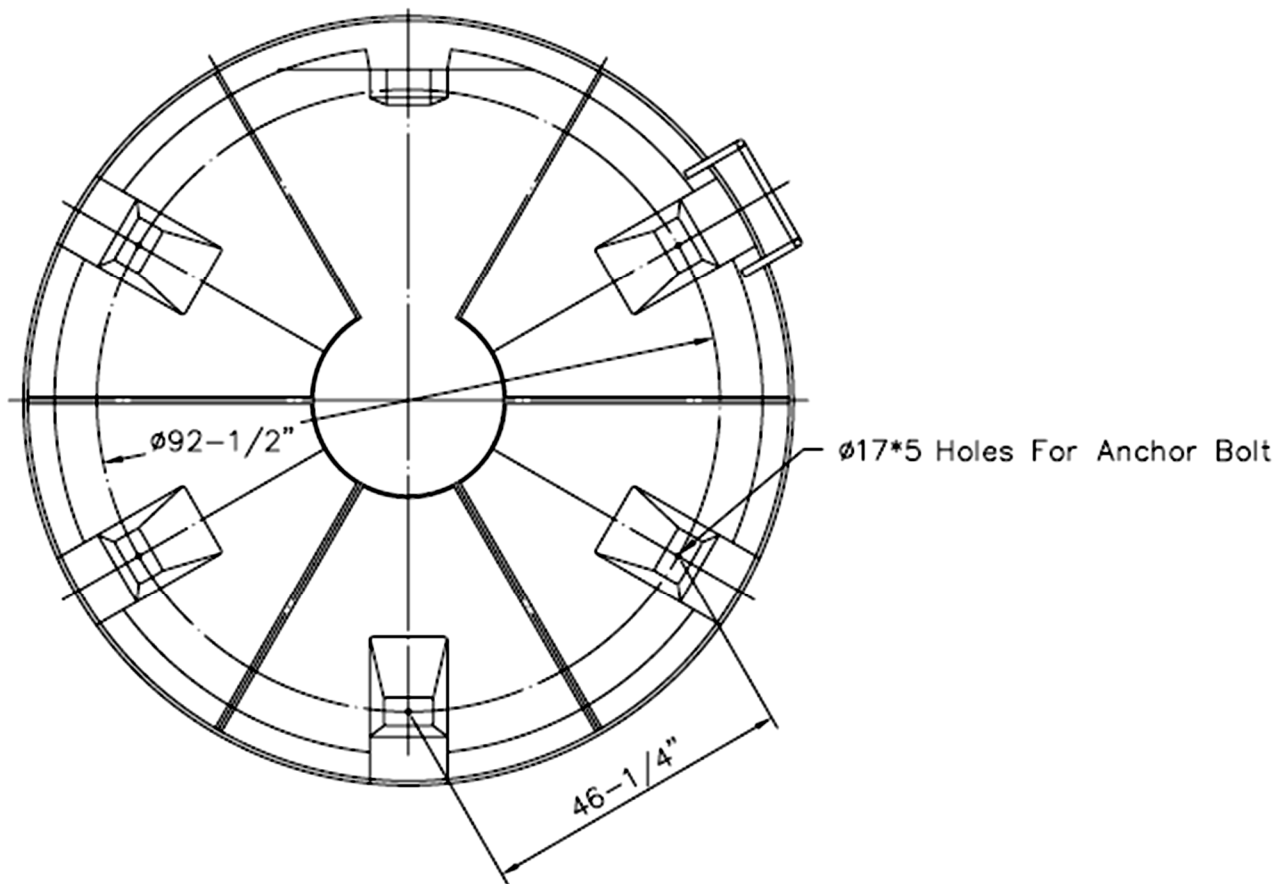
[www.coolingtowersystems.com](http://www.coolingtowersystems.com)

[info@coolingtowersystems.com](mailto:info@coolingtowersystems.com)





**TECHNICAL IMAGE B & C: MODEL T-2100** Cooling Tower Systems, Inc.



**Cooling Tower Systems, Inc.**

196 Lower Cherry Street Macon, GA 31201

TF: 800.752.1905

F: 478.755.8304

[www.coolingtowersystems.com](http://www.coolingtowersystems.com)

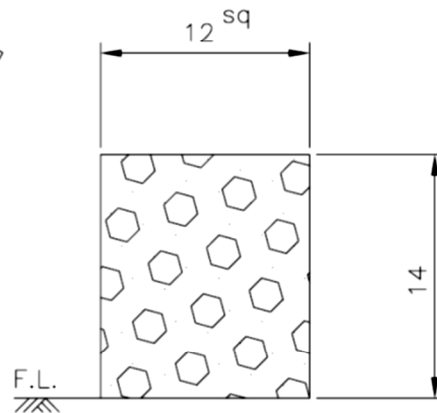
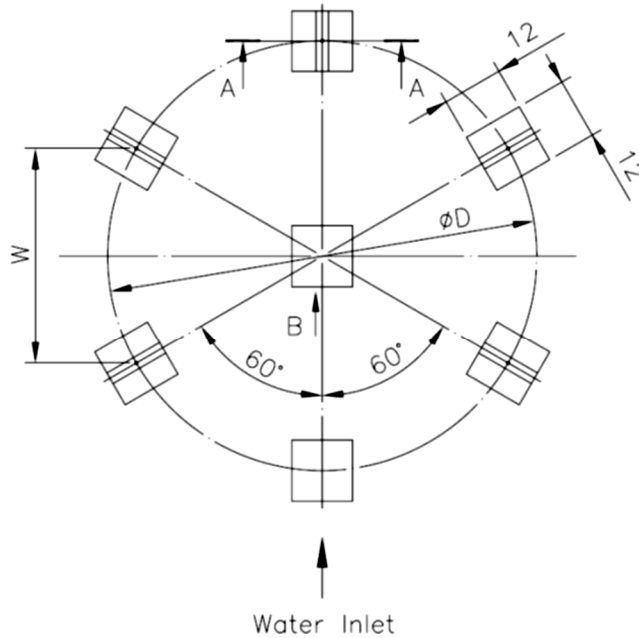
[info@coolingtowersystems.com](mailto:info@coolingtowersystems.com)



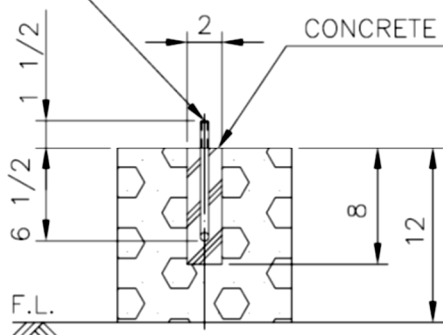
# FOUNDATION DRAWING: MODEL T-2100 Cooling Tower Systems, Inc.

T-	øD	W	L TYPE ANCHOR BOLT		
			SIZE	L	PCS
2100	92 1/2	46 1/4	W 5/8	8	5
2125	103 1/8	51 1/2	W 5/8	8	5

On all tower models T-270 and above, please pay close attention to recommended support foundation for center of cooling tower and outward area where inlet/outlet fittings of cooling tower exist



1 1/2L ALL THREAD PROJECTION  
W5/8X8L, L TYPE ANCHOR BOLT 5 PCS



A-A SECTION

**Cooling Tower Systems, Inc.**

196 Lower Cherry Street Macon, GA 31201

TF: 800.752.1905

F: 478.755.8304

www.coolingtowersystems.com

info@coolingtowersystems.com