



Cooling Tower Systems, Inc.

END-SUCTION CENTRIFUGAL PUMPS

Series: IC1¼

1 - 7.5 HP / 3500 RPM Suction: 1½" NPT

Discharge: 1¼" NPT

APPLICATIONS

Booster systems

Water transfer

- ▶ Chilled water system
- ▶ High flow-rate / medium pressure

VOLUTE

Cast iron ASTM A-48 class 30.

INTERMEDIATE COUPLING

Cast iron ASTM A-48 class 30.

IMPELLER

Design: 5 vanes, closed, statically balanced.

Material: cast iron ASTM A-48 class 30.

SEAL

Design: mechanical, type 01.

Material: Ceramic stationary part, carbon ring seal and exclusion in the rotating part. Buna-N elastomer and stainless steel spring.

SHAFT SLEEVE

O-RINGS

Buna-N.

MOTOR

High quality premium efficiency TEFC or ODP electric motors, designed & developed in accordance with industry standards for industrial and commercial pumping applications.

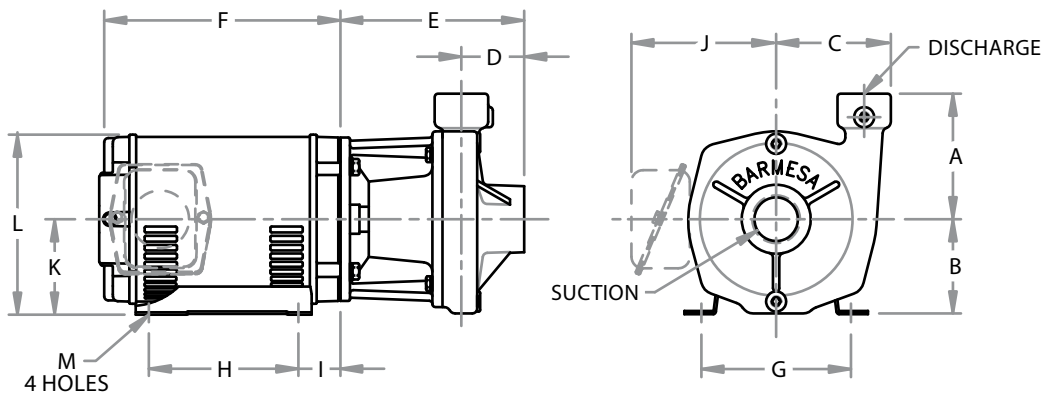
- ▶ 1 & 3 phases, 60 Hz
- ▶ Rated output: 1 to 7.5 HP
- ▶ 3500 RPM

HARDWARE

Carbon steel.

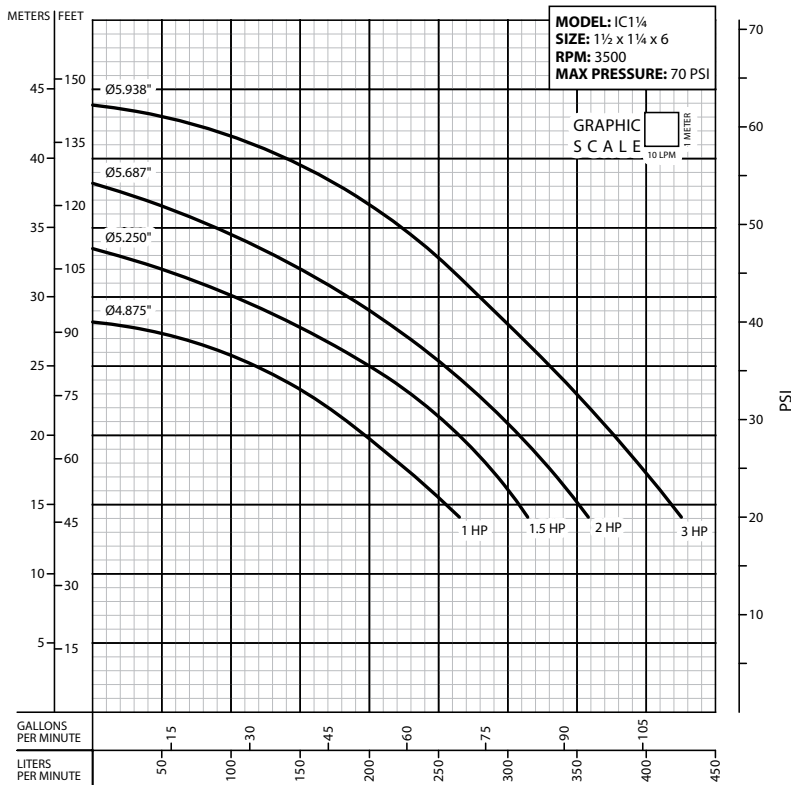
PAINT

Air dry enamel, water based.



MODEL	PART No.	SIZE	HP	PHASE	ENCL.	FRAME	A	B	C	D	E	F	G	H	I	J	K	L	M														
IC1¼-1-2	62070501	1½" x 1¼"	1	3	ODP	56 J	5	3.75	3.5	2.5	5.5	9.31	4.88	3	2.75	-	3.5	6.75	0.34														
IC1¼-1-2-1	62070502		1	1		56 J						10.31																					
IC1¼-1.5-2	62070503		1.5	3		56 J						9.31																					
IC1¼-1.5-2-1	62070504		1.5	1		56 J						10.31																					
IC1¼-2-2	62070505		2	3		145 JM						12																					
IC1¼-2-2-1	62070506		2	1		145 JM						5.5																					
IC1¼-3-2	62070507		3	3		182 JM						7.31																					
IC1¼-3-2-1	62070508		3	1		182 JM						11.81																					
IC1¼-5-2	-		5	1		-						-																					
IC1¼-5-2-1	-		5	3		-						-																					
IC1¼-7.5-2-1	-		7.5	1		-						-																					
IC1¼-1-2	62070501		1½" x 1¼"	1		3						TEFC								-	-	-	-	-	-	-	-	-	-	-	-	-	-
IC1¼-1-2-1	62070502			1		1														-	-												
IC1¼-1.5-2	62070503			1.5		3														-	-												
IC1¼-1.5-2-1	62070504	1.5		1	-	-																											
IC1¼-2-2	62070505	2		3	-	-																											
IC1¼-2-2-1	62070506	2		1	-	-																											
IC1¼-3-2	62070507	3		3	-	-																											
IC1¼-3-2-1	62070508	3		1	-	-																											
IC1¼-5-2	-	5		1	-	-																											
IC1¼-5-2-1	-	5		3	-	-																											

All dimensions are in inches, and may vary depending on the motor manufacturer.



IMPORTANT!

1. Never use this pump to handle explosive liquids.
2. This pump is not approved to be used in swimming pools, recreational installations or any application where human contact may be common.
3. Testing is performed with water specific gravity of 1.0 @ 68°F (20°C); other fluids may vary performance.