



The Best Just Got Better

ENGINEERING BROCHURE

T-2 & T-3 MODELS



Cooling Tower Systems, Inc.

3170 Mercer University Dr., Macon, GA 31204

TF: 800.752.1905

F: 478.755.8304

www.coolingtowersystems.com

info@coolingtowersystems.com

Design Features:

The non-rusting FRP casing and basin, circular in shape, eliminates special installation requirements. Prevailing wind directions will not affect tower performance.

Casing:

Easy access through casing simplifies cleaning. Individual fiberglass panels are stainless steel bolted together for periodic wash down and general clean up.

The CTS FRP cooling tower is designed for durability and long life even under the most severe environmental weather conditions.

Fan Blades:

Aerodynamically designed propeller type fan blades are used to conserve power and assure quiet operations. CTS models T-25 through T-230 feature a factory-balanced ABS plastic blade. CTS models T-240 and above feature an all aluminum alloy adjustable fan.

Fan Drive:

CTS models T-25 through T-2200 have direct drive fan motors. CTS models T-2225 and larger feature a unique belt drive, designed to reduce noise levels, with optional gear drives.

Water Distribution System:

CTS models T-25 through T-260 use an ABS plastic sprinkler with stainless steel shaft. CTS models T-270 and above use an aluminum alloy sprinkler head. Both types of sprinkler head require little or no head pressure loss and minimum maintenance.

Inlet Louvers:

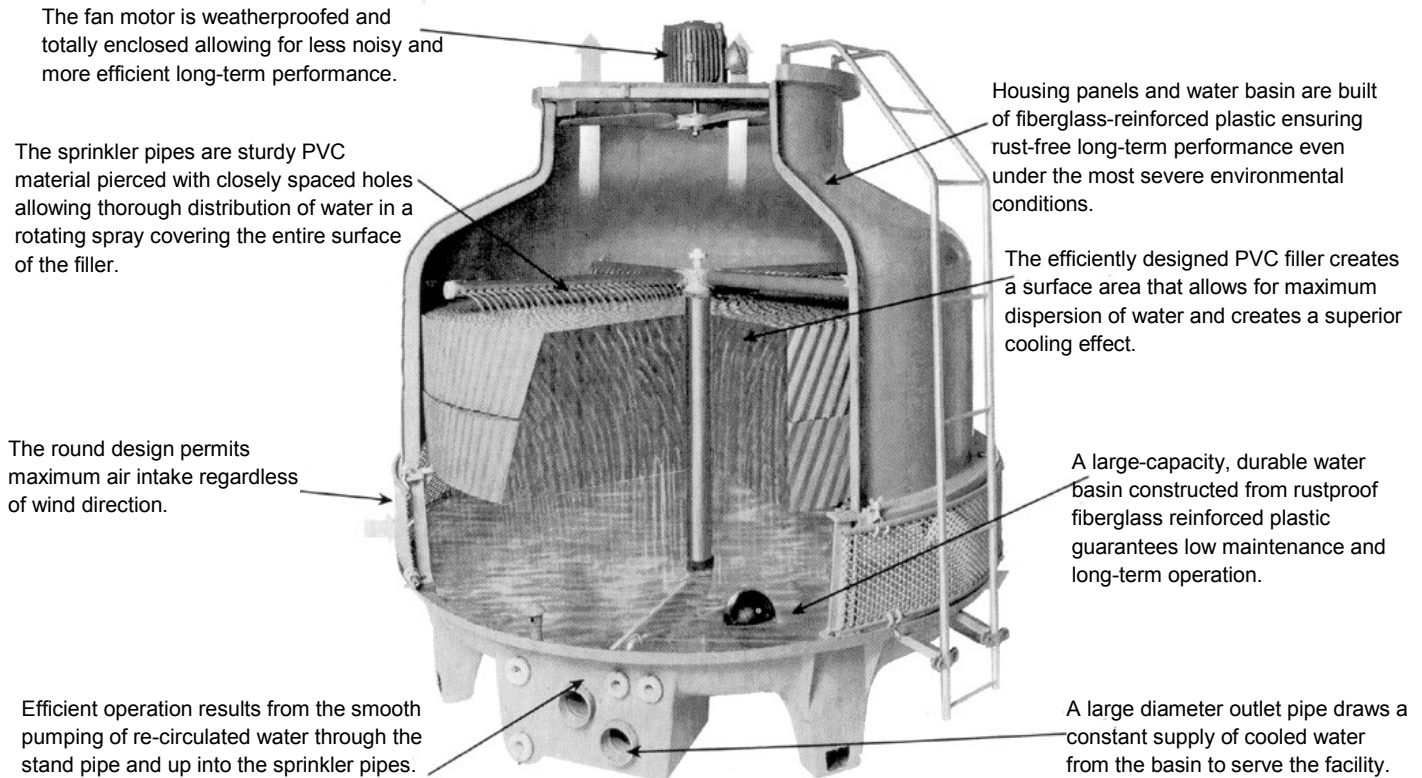
Non-rusting PVC plastic mesh provides easy access to sump while preventing foreign objects from entering water basin.

Ladder:

Provided for maintenance and inspection accessibility to fan and sprinkler systems. (Models T-240 and above.)

Fill Material:

Honeycomb heat-embossed PVC is formed to permit high heat transfer efficiency. The CTS fill is suitable for operation with inlet water temperatures of 125° F. For higher temperatures, contact your representative for quote.



Cooling Tower Systems, Inc.

3170 Mercer University Dr., Macon, GA 31204

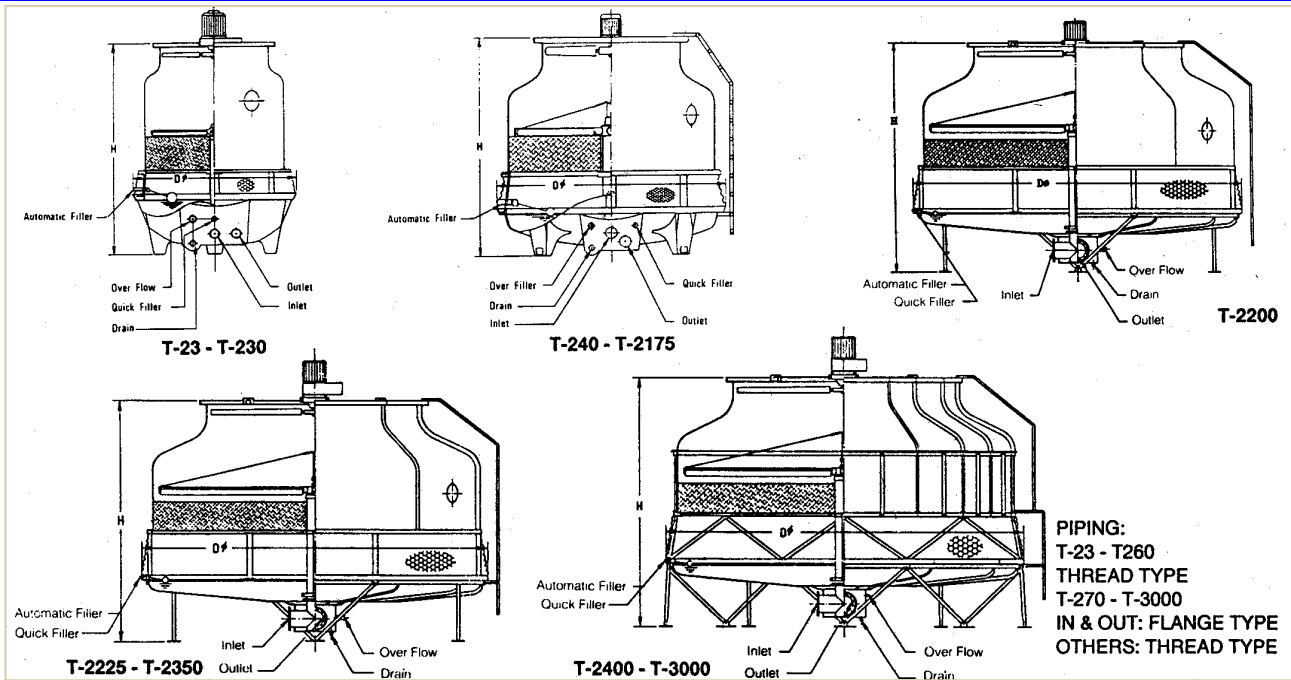
TF: 800.752.1905

F: 478.755.8304

www.coolingtowersystems.com

info@coolingtowersystems.com

Dimensions & Pipe Connections



T MODEL	DIMENSIONS		PIPE CONNECTIONS						FAN MOTOR (HP)	FAN DIAMETER (INCH)	AIR VOLUME (CFM)	NOMINAL WATER FLOW (GPM)
	HEIGHT	DIA.	IN	OUT	O	Dr	FLO AT	Q				
T-25	52	33 1/2	1 1/2	1 1/2	1	3/4	1/2	-	1/6 *	19 1/2	2118	15
T-28	56	33 1/2	1 1/2	1 1/2	1	3/4	1/2	-	1/6 *	19 1/2	2648	23
T-210	54	41 3/4	1 1/2	1 1/2	1	3/4	1/2	-	1/4 *	26 3/8	3531	30
T-215	59	46	2	2	1	1	1/2	-	1/4 *	26 3/8	4767	44
T-220	63	54 3/8	2	2	1	1	1/2	-	1/2 **	30 1/4	6356	58
T-225	70 15/16	54 3/8	2 1/2	2 1/2	1	1	1/2	-	3/4 ***	30 1/4	7000	73
T-230	68 3/8	62 1/4	2 1/2	2 1/2	1	1	1/2	-	1 ***	30 1/4	8100	88
T-240	74 1/2	71 5/8	2 1/2	2 1/2	1	1	3/4	-	1 1/2***	38 1/4	9800	118
T-250	74 1/2	78 3/4	3	3	1	1	3/4	-	1 1/2 ***	38 1/4	11500	148
T-260	74 11/16	78 3/4	3	3	1	1	3/4	-	1 1/2 ***	46	14700	177
T-270	79 3/8	85 5/8	4	4	1	1	3/4	-	1 1/2 ***	46	17500	207
T-280	79 3/8	85 5/8	4	4	1	1	3/4	-	2 ***	46	18900	237
T-2100	85 1/16	104 3/8	4	4	1	1	1	-	3 ***	57 7/8	24500	295
T-2125	87	120 1/8	6	6	2	1	1	-	3 ***	57 7/8	29060	369
T-2150	90	130	6	6	2	2	1	-	5 ***	68 7/8	33260	446
T-2175	97 7/8	130	6	6	2	2	1	-	5 ***	68 7/8	40250	518
T-2200	117 3/4	148 3/8	6	6	2	2	1 1/4	1 1/4	5 ***	68 7/8	43760	592
T-2225	125 5/8	148 3/8	6	6	2	2	1 1/4	1 1/4	7 1/2***	93	61270	656
T-2250	125 5/8	148 3/8	8	8	2	2	1 1/4	1 1/4	7 1/2 ***	93	61270	737
T-2300	131 7/8	174 3/4	8	8	2	2	1 1/4	1 1/4	10 ***	93	77020	883
T-2350	133 1/2	188 5/8	8	8	2	2	1 1/4	1 1/4	10 ***	93	77020	1036
T-2400	153 1/8	203 7/8	8	8	4	2	2	2	15 ***	117	91030	1190
T-2500	154 11/16	219 5/8	10	10	4	2	2	2	15 ***	117	91030	1505
T-2600	171 5/8	259 7/8	10	10	4	2	2	2	20 ***	133 1/8	125000	1777
T-2700	181 5/16	259 7/8	10	10	4	2	2	2	20 ***	133 1/8	125000	2101
T-2800	194 11/16	299 1/4	12	12	4	3	2	2	30 ***	141	175000	2370
T-3000	202 1/2	299 1/4	12	12	4	3	2	2	30 ***	141	175000	3011

Cooling Tower Systems, Inc.

3170 Mercer University Dr., Macon, GA 31204

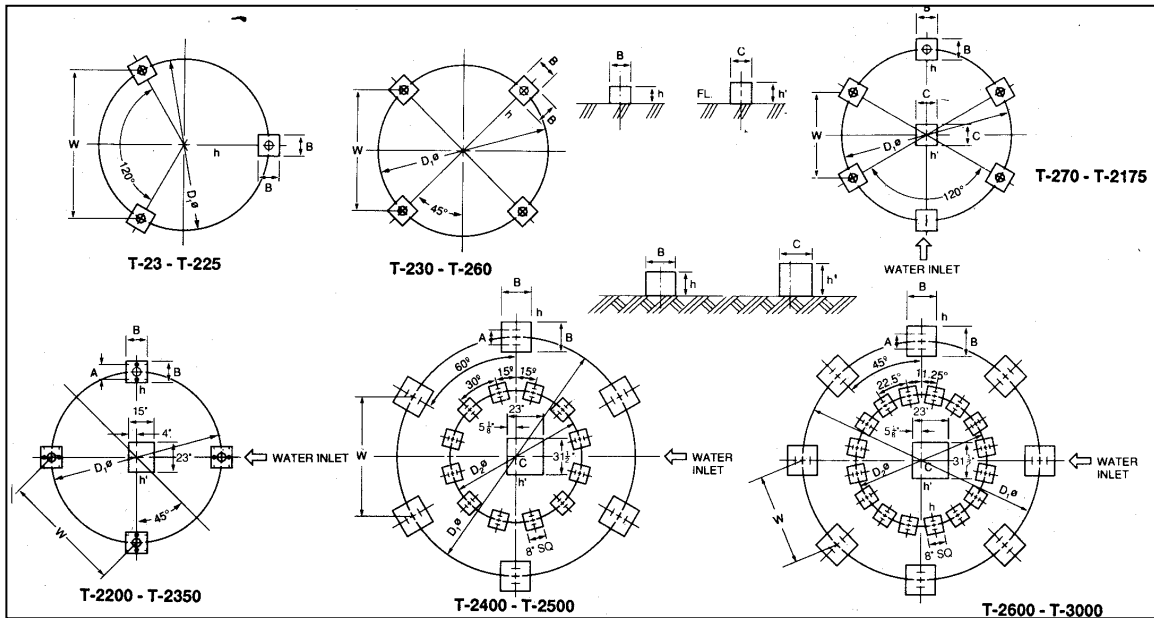
TF: 800.752.1905

F: 478.755.8304

www.coolingtowersystems.com

info@coolingtowersystems.com

Recommended Concrete Base of Tower Support



T MODEL	WEIGHT (LBS.)		DIMENSIONS (IN.)								ANCHOR BOLT		QTY (PCS.)	PUMP HEAD (FT.)
	DRY	OPERATING	D1	W	B	A	h	h'	C	D2	SIZE (INCH)	LENGTH (INCH)		
T-25	86	229	21 5/8	18 3/4	8		6				1/2	4 3/4	3	5.0
T-28	101	315	21 5/8	18 3/4	8		6				1/2	4 3/4	3	5.0
T-210	108	327	29 1/2	25 5/8	8		6				1/2	4 3/4	3	5.0
T-215	154	628	34 5/8	30	8		6				1/2	4 3/4	3	5.3
T-220	167	639	44	38 1/4	8		6				1/2	4 3/4	3	5.6
T-225	196	887	44	38 1/4	8		6				1/2	4 3/4	3	5.6
T-230	253	1074	52 1/2	37	8		6				1/2	4 3/4	4	6.0
T-240	308	1254	57 7/8	40 7/8	10		8				1/2	4 3/4	4	6.6
T-250	342	1657	66 1/8	46 3/4	10		8				1/2	4 3/4	4	6.6
T-260	437	1752	66 1/8	46 3/4	10		8				1/2	4 3/4	4	6.6
T-270	610	2268	69 3/8	34 1/2	10		8	9 1/2	10		1/2	4 3/4	5	6.6
T-280	645	2301	69 3/8	34 1/2	10		8	9 1/2	10		1/2	4 3/4	5	6.6
T-2100	889	3952	92 1/2	46 1/4	12		12	14	12		5/8	8	5	8.2
T-2125	1027	4850	103 1/8	51 1/2	12		12	14	12		5/8	8	5	10.0
T-2150	1377	6181	112 1/2	56 1/4	12		12	13 1/2	16		5/8	8	5	10.0
T-2175	1571	6375	112 1/2	56 1/4	12		12	13 1/2	16		5/8	8	5	11.0
T-2200	1918	8370	132	93 3/8	12	5 1/8	12	16	23		5/8	8	8	11.0
T-2225	2116	8569	132	93 3/8	12	5 1/8	12	16	23		5/8	8	8	11.0
T-2250	2270	8723	132	93 3/8	12	5 1/8	12	16	23		5/8	8	8	12.0
T-2300	2828	9213	156 1/8	110 3/8	12	5 1/2	12	16	23		5/8	8	8	12.0
T-2350	3002	9962	169 1/8	119 5/8	12	5 1/2	12	16	23		5/8	8	8	12.0
T-2400	4786	15174	200 3/4	100 3/8	20	5 1/2	12	16	31 1/2	114 1/4	3/4	8	12	13.2
T-2500	5352	18027	216 1/2	108 1/4	20	5 1/2	12	16	31 1/2	122	3/4	8	12	13.2
T-2600	7416	27447	255 1/8	97 5/8	20	5 1/2	12	16	31 1/2	141 3/4	3/4	8	16	16.5
T-2700	7863	27895	255 1/8	97 5/8	20	5 1/2	12	16	31 1/2	141 3/4	3/4	8	16	18.2
T-2800	9656	41349	295 1/4	113	20	5 1/2	12	16	31 1/2	163 1/2	3/4	8	16	20.0
T-3000	10220	41914	295 1/4	113	20	5 1/2	12	16	31 1/2	163 1/2	3/4	8	16	20.0

Cooling Tower Systems, Inc.

3170 Mercer University Dr., Macon, GA 31204

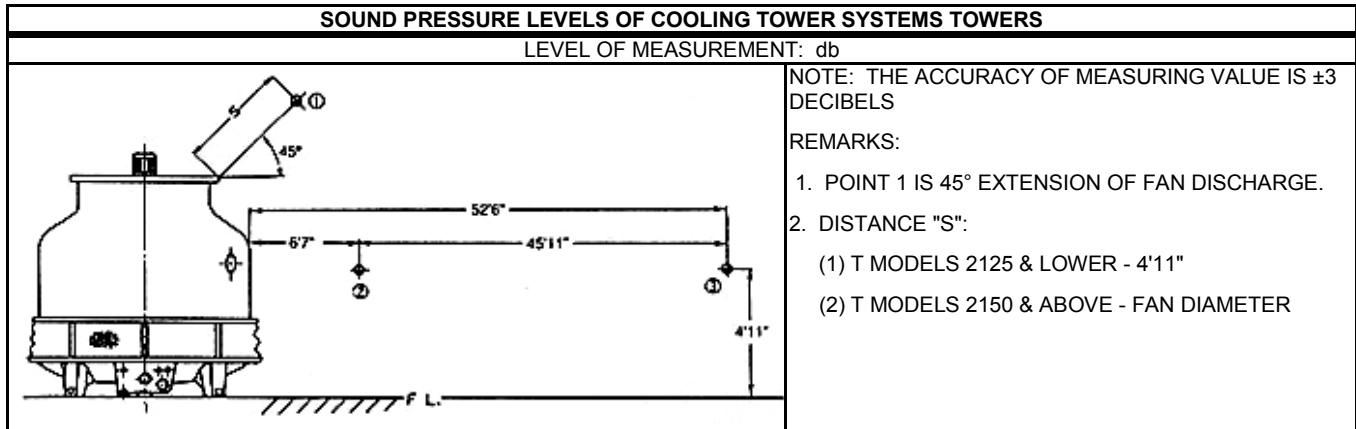
TF: 800.752.1905

F: 478.755.8304

www.coolingtowersystems.com

info@coolingtowersystems.com

Sound Pressure Levels and Tower Capacities



TOWER MODEL	T-25			T-28			T-210			T-215			T-220			T-225			T-230					
MEASURING PT.	1	2	3	1	2	3	1	2	3	1	2	3	1	2	3	1	2	3	1	2	3	1	2	3
SCALE A	62	59	48	63	58	47.5	64	59	48.5	69	66	53	69	66	53	70	67	57	73	67	59			
TOWER MODEL	T-240			T-250			T-260			T-270			T-280			T-2100			T-2125					
MEASURING PT.	1	2	3	1	2	3	1	2	3	1	2	3	1	2	3	1	2	3	1	2	3	1	2	3
SCALE A	77	70	59	77	70	59	79	73	64	81	75	66	82	76	67	79	71	60	84	74	64			
TOWER MODEL	T-2150			T-2175			T-2200			T-2225			T-2250			T-2300			T-2350					
MEASURING PT.	1	2	3	1	2	3	1	2	3	1	2	3	1	2	3	1	2	3	1	2	3	1	2	3
SCALE A	77	71	62	80	75	65	79	73	63	76	71	62	76	71	62	77	72	63	77	72	63			
TOWER MODEL	T-2400			T-2500			T-2600			T-2700			T-2800			T-3000								
MEASURING PT.	1	2	3	1	2	3	1	2	3	1	2	3	1	2	3	1	2	3						
SCALE A	79.5	74.5	65.5	79.5	74.5	65.5	77.5	72.5	63.5	77.5	72.5	63.5	78.5	74	65	80	75	66						

TOWER CAPACITIES

	90 ° F	90 ° F	95 ° F	92 ° F	95 ° F	97 ° F	95 ° F	95 ° F	96 ° F	98 ° F	90 ° F	94 ° F	T MODEL
HOT WATER	90 ° F	90 ° F	85 ° F	82 ° F	85 ° F	87 ° F	85 ° F	85 ° F	86 ° F	88 ° F	83 ° F	85 ° F	
COLD WATER	80 ° F	80 ° F	85 ° F	82 ° F	85 ° F	87 ° F	85 ° F	85 ° F	86 ° F	88 ° F	83 ° F	85 ° F	
WET BULB	65 ° F	70 ° F	70 ° F	72 ° F	75 ° F	75 ° F	77 ° F	78 ° F	80 ° F	82 ° F	75 ° F	75 ° F	
GPM	17	12	20	13	15	18	12	11	10	11	15	16	T-25
	27	20	32	21	23	29	20	18	16	17	25	26	T-28
	34	25	39	27	30	35	25	23	20	23	31	32	T-210
	51	37	60	40	44	54	37	33	31	33	46	48	T-215
	68	49	80	53	58	72	49	45	41	44	62	64	T-220
	85	62	97	66	73	90	62	56	52	56	77	79	T-225
	101	75	119	80	88	108	75	68	63	68	93	96	T-230
	134	100	156	106	118	142	101	92	85	91	124	128	T-240
	168	127	195	134	148	178	127	116	108	115	155	159	T-250
	201	150	224	160	177	211	151	138	128	137	185	191	T-260
	236	176	262	188	207	251	176	160	150	160	218	224	T-270
	268	203	308	215	237	253	203	185	173	184	248	256	T-280
	335	250	382	266	295	356	252	230	213	228	309	319	T-2100
	420	316	480	235	369	446	316	289	270	289	388	400	T-2125
	504	383	574	405	446	534	383	353	328	350	466	479	T-2150
	588	441	676	471	518	611	444	407	377	404	541	558	T-2175
	669	509	774	542	592	712	512	469	440	469	621	640	T-2200
	757	559	885	595	656	803	559	503	468	503	696	717	T-2225
	838	625	970	666	737	889	630	574	533	569	772	798	T-2250
	1011	775	1175	800	883	1075	755	685	634	678	934	960	T-2300
	1176	889	1340	946	1036	1240	895	818	767	818	1087	1119	T-2350
	1349	1023	1540	1084	1190	1420	1023	930	871	932	1240	1278	T-2400
	1657	1301	1885	1377	1505	1763	1324	1226	1157	1233	1551	1604	T-2500
	2006	1526	2322	1625	1777	2137	1537	1406	1319	1406	1864	1919	T-2600
	2317	1819	2640	1928	2101	2469	1841	1700	1641	1711	2177	2242	T-2700
	2675	2035	3096	2166	2370	2849	2050	1875	1759	1875	2486	2559	T-2800
	3303	2616	3760	2762	3011	3300	2660	2484	2353	2499	3098	3201	T-3000

Cooling Tower Systems, Inc.

3170 Mercer University Dr., Macon, GA 31204

TF: 800.752.1905

F: 478.755.8304

www.coolingtowersystems.com

info@coolingtowersystems.com