

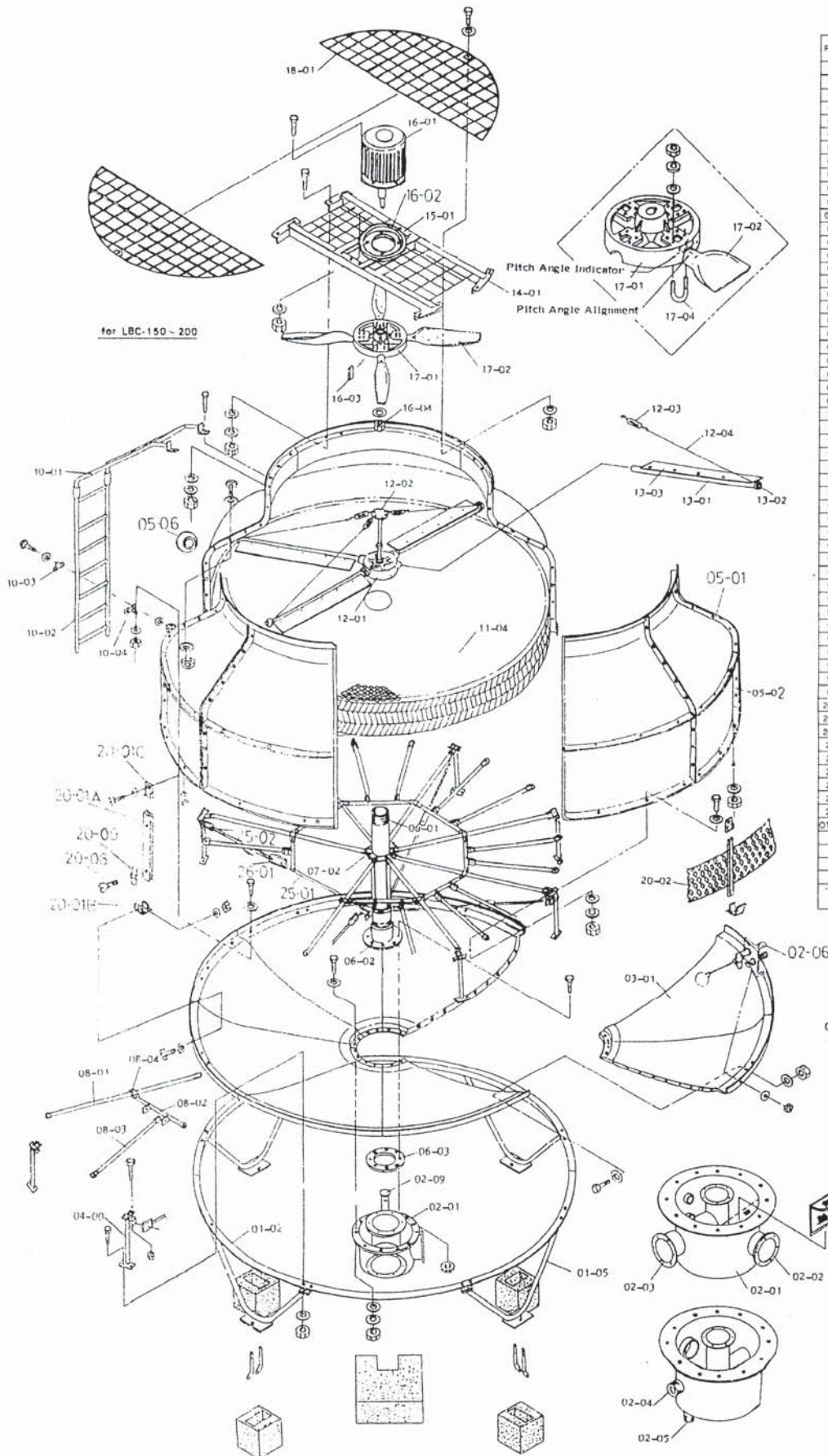
LBC-200 ASSEMBLY INSTRUCTIONS

PARTS TABLE

REF NO	DESCRIPTION	Qty
01-02	Ring Frame	8
01-05	Truss Pipe Assy	4
02-01	Water Sump	1
02-02	Outlet Nozzle	1
02-03	Inlet Nozzle	1
02-04	Over Flow Nozzle	1
02-05	Drain Nozzle	1
02-06	Automatic Filler Nozzle	1
02-08	Float Valve Assy	1
02-09	Over Flow	1
02-10	Suction Strainer	1
02-12A	Connector Pipe	1
02-16	Elbow	1
03-01	Water Basin	8
04-00	Casing Supportor	8
05-01	Casing (Diffuser)	8
05-02	Casing (Cylinder)	8
05-06	Hand Hole Cover	1
06-01	Stand Pipe	1
06-02	Stand Pipe Base	1
06-03	Packing	1
07-02	Column	2
08-01	Filing Supportor-A	8
08-02	Filing Supportor-B	8
08-03	Filing Supportor-C	16
08-04	Filing Supportor-Clamping Band	16
10-01	Ladder(A Sec.)	1
10-02	Ladder(B Sec.)	1
10-03	Ladder Bracket-A	2
10-04	Ladder Bracket-B	2
11-04	Filling(1.4 Sec.)	8
12-01	Sprinkler Head	1
12-02	Center Post	1
12-03	Turnbuckle	4
12-04	Tension Wire	4
13-01	Sprinkler Pipe	4
13-02	End Cap	4
13-03	Eliminator	4
14-01	Motor Frame Assy Main Pipe	2
15-01	Motor Base	1
16-01	Motor	1
16-02	Motor Base Frame	1
16-03	Fan Key	1
16-04	Fasten Nut	1
17-01	Fan Hub	1
17-02	Fan Blade	4
17-04	U-Bolt	8
18-01	Fan Guard	2
20-01A	Louver Supportor	16
20-01B	Down Plug	16
20-01C	Up Plug	16
20-02	Inlet Louver	16
20-08	Wing Bolt	32
20-09	Plastic Washer	32
25-01	Tie Retainer	4
25-02	Tie Retainer	4
26-01	Turn Buckle	4
OTHERS	BOLTS & NUTS	1 Set
WATER BASIN SEALING MATERIAL		
A	Fiberglass	1 Set
B	Polyester Resin	1 Kg
C	Catalyst	1 Bottle

* Please Check The Above Mentioned Parts Within Two Weeks After The Goods Received

OVER FLOW



for LBC-150 ~ 200