

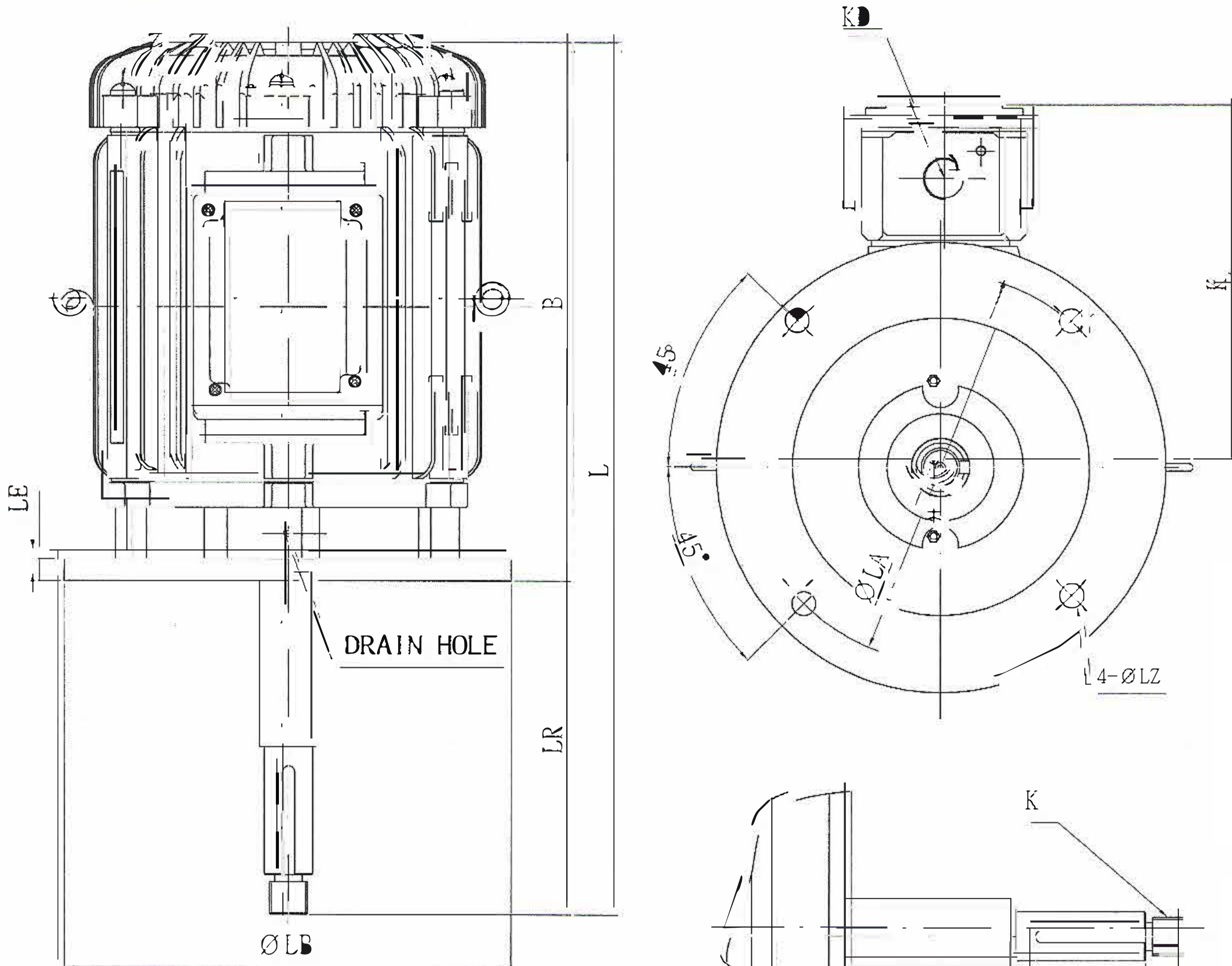
# 3-PHASE INDUCTION MOTOR

MOTOR TYPE : NV-D

CUSTOMER :

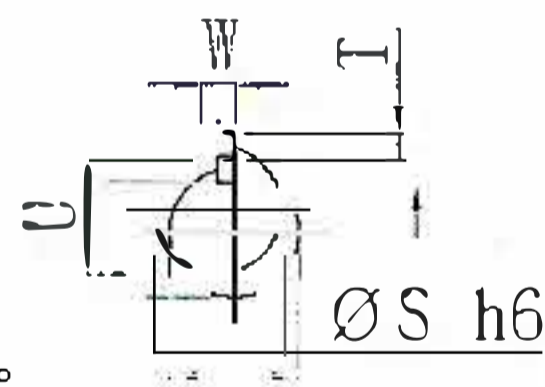
FRAME NO. 160M

Pole	HP	KW	Hz	VOLT	r/min(rpm)
10	5				
Ins	Rating	Dimension in	Approx Weight	Bearings	
	CONT.	MM (IN)		DE:6309zz	NDE:6307zz



REMARKS :

1. TERMINAL BOX-CAST IRON (WITH PACKING) °
2. FLANGE HAS THE DRAIN HOLE(4\_Ø5 HOLE)AND WITH RUBBER FLIGER & OIL SEAL °
3. CABLE ENTRANCE OF TERMINAL BOX IS TAPED PF1" °
4. TO APPEND NUT OF STAINLESS STEEL SUS304 °



LA	LB	LE	LZ	B	L	LR	K	---	---	---	---	---	---
300 (11.81)	348 (13.70)	20 (0.79)	15 (0.59)	416.5 (16.40)	674.5 (26.56)	258 (10.16)	M30XØ3.5	---	---	---	---	---	---

SHAFT EXTENSION							CONDUIT BOX		---	---	---	---
J	Q	Q1	S	T	U	W	KD	KL	---	---	---	---
30 (1.18)	100 (3.94)	85 (3.35)	38 (1.50)	8 (0.31)	33.5 (1.32)	10 (0.39)	NPT1"	280 (11.02)	---	---	---	---

DWN.	Y. Z. Yan	Feb.14'07	DWG NO. 94N0223
CHKD.	X. Z. Wu	Feb.14'07	
APPD.	C. W. LIN	Feb.14'07	