

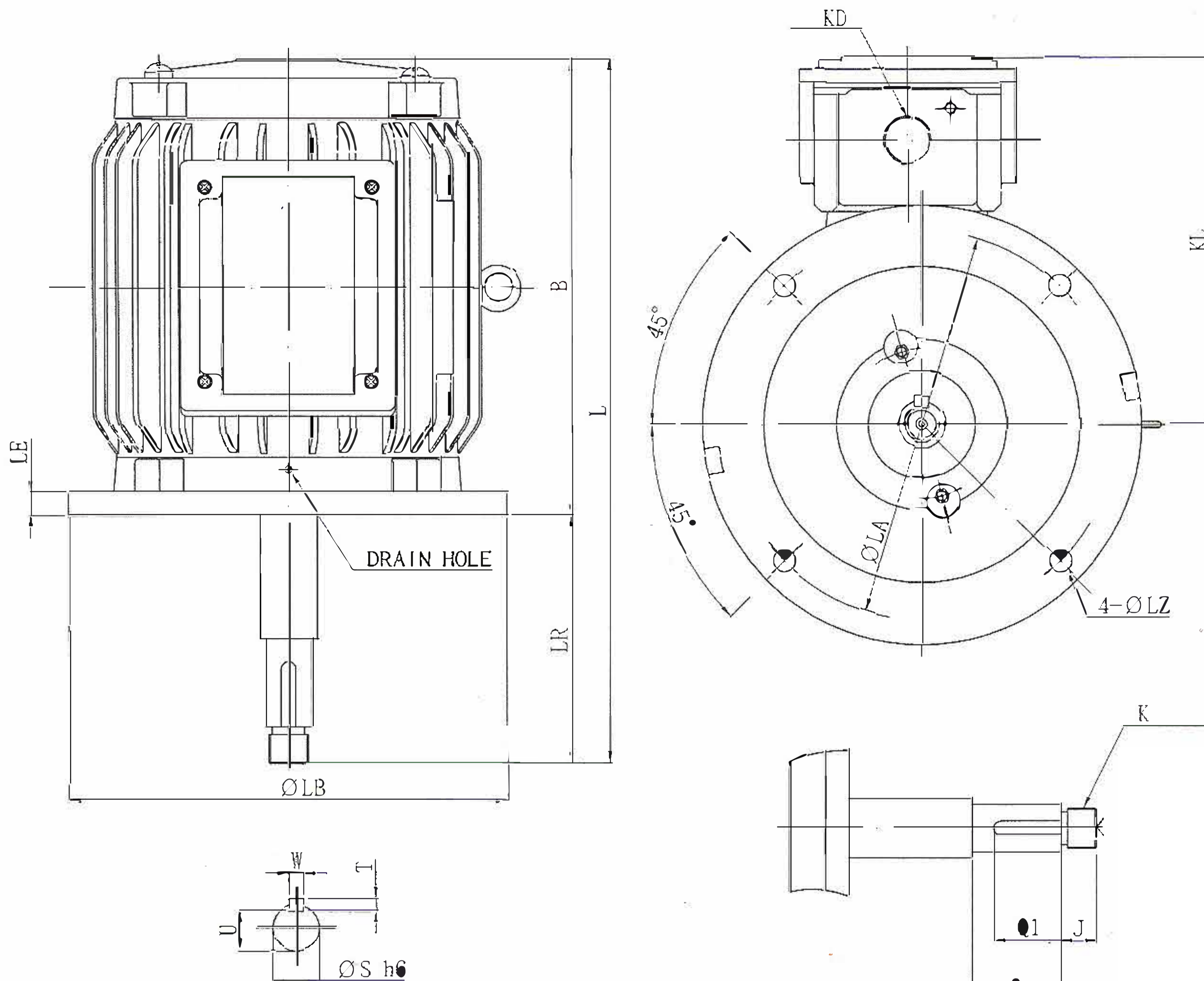
3-PHASE INDUCTION MOTOR

MOTOR TYPE : NV-D

CUSTOMER :

FRAME NO. 132S

Pole	HP	KW	Hz	VOLT	r/min(rpm)
8	3				
Ins	Rating	Dimension in	Approx Weight	Bearings	
	CONT.	MM (IN)		DE:6308zz	NDE:6306zz



REMARKES :

1. TERMINAL BOX-CAST IRON (WITH PACKING) .
2. FLANGE HAS THE DRAIN HOLE(3- Ø5 HOLE)AND WITH RUBBER FLIGER & OIL SEAL .
3. CABLE ENTRANCE OF TERMINAL BOX IS TAPED PF1" .
4. TO APPEND NUT OF STAINLESS STEEL SUS304 .

LA	LB	LE	LZ	B	L	LR	K	---	---	---	---	---	---
265 (10.43)	300 (11.81)	13 (0.51)	15 (0.59)	311 (12.24)	480 (18.90)	169 (6.65)	M24XP3	---	---	---	---	---	---
SHAFT EXTENSION							CONDUIT BOX		---	---	---	---	---
J	Q	Q1	S	T	U	W	KD	KL	---	---	---	---	---
25 (0.98)	60 (2.36)	46 (1.81)	32 (1.26)	8 (0.31)	27.5 (1.08)	10 (0.39)	NPT1"	250 (9.84)	---	---	---	---	---

DWN.	Y. Z. Yan	Feb. 14' 07	DWG NO. 94N0222
CHKD.	X. Z. Wu	Feb. 14' 07	
APPD.	C. W. LIN	Feb. 14' 07	