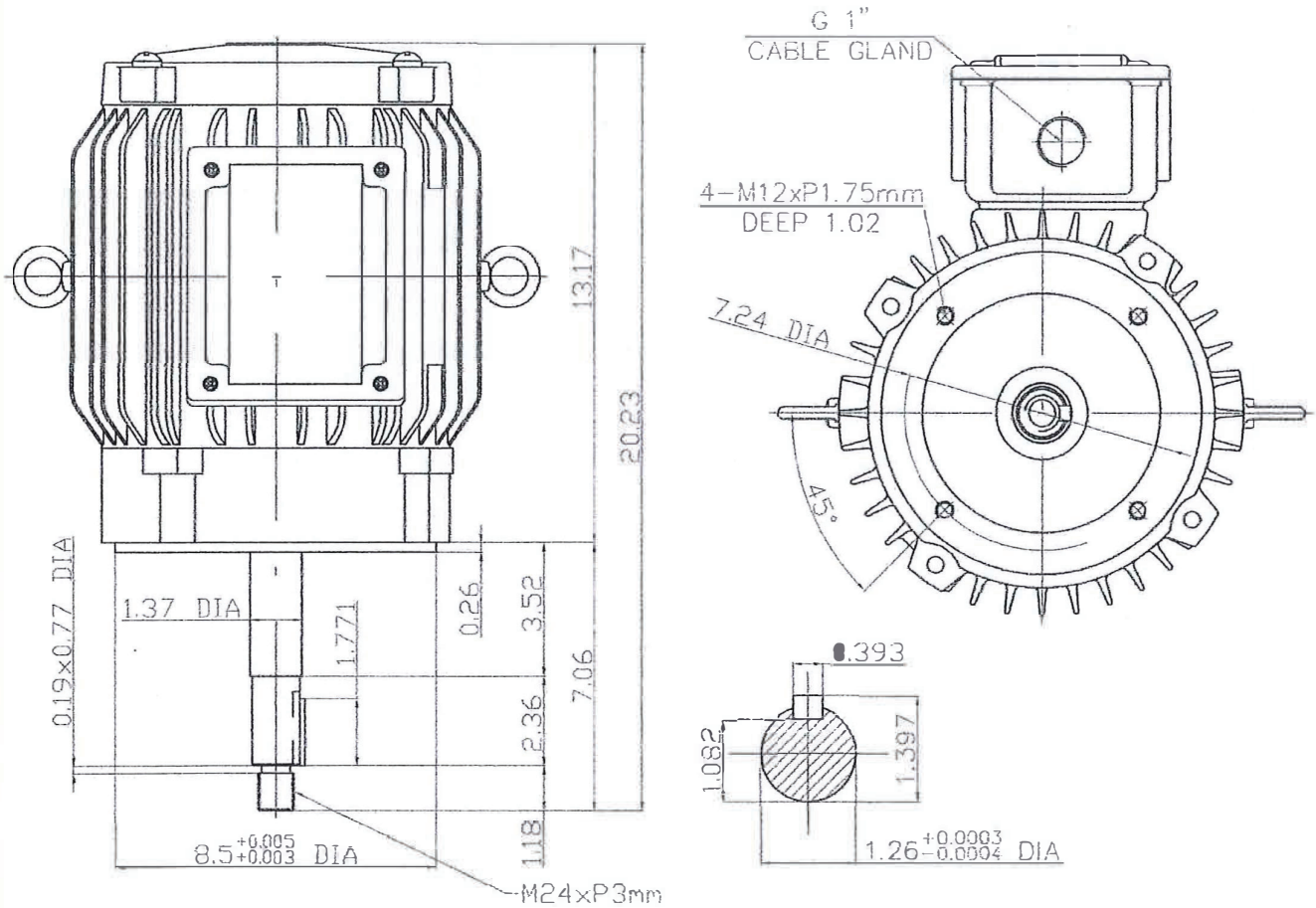


3-PHASE INDUCTION MOTOR

	Out Poles	Poles	Rating Voltages	Hertz	Frame	Ins. class	Weight
AEVF-NM	3HP	8P			213C	F	Kg
							B-3



- 1. IP55
- 2. Terminal box screw stainless steel
- 3. Add SUS304 nuts to shaft end
- 4. Shaft end eccentricity below 0.15mm

		OUTLINE DIMENSIONS		CUSTOMER
LCN120003		SU ZHOU LIANG CHI MOTOR CO., LTD.		