

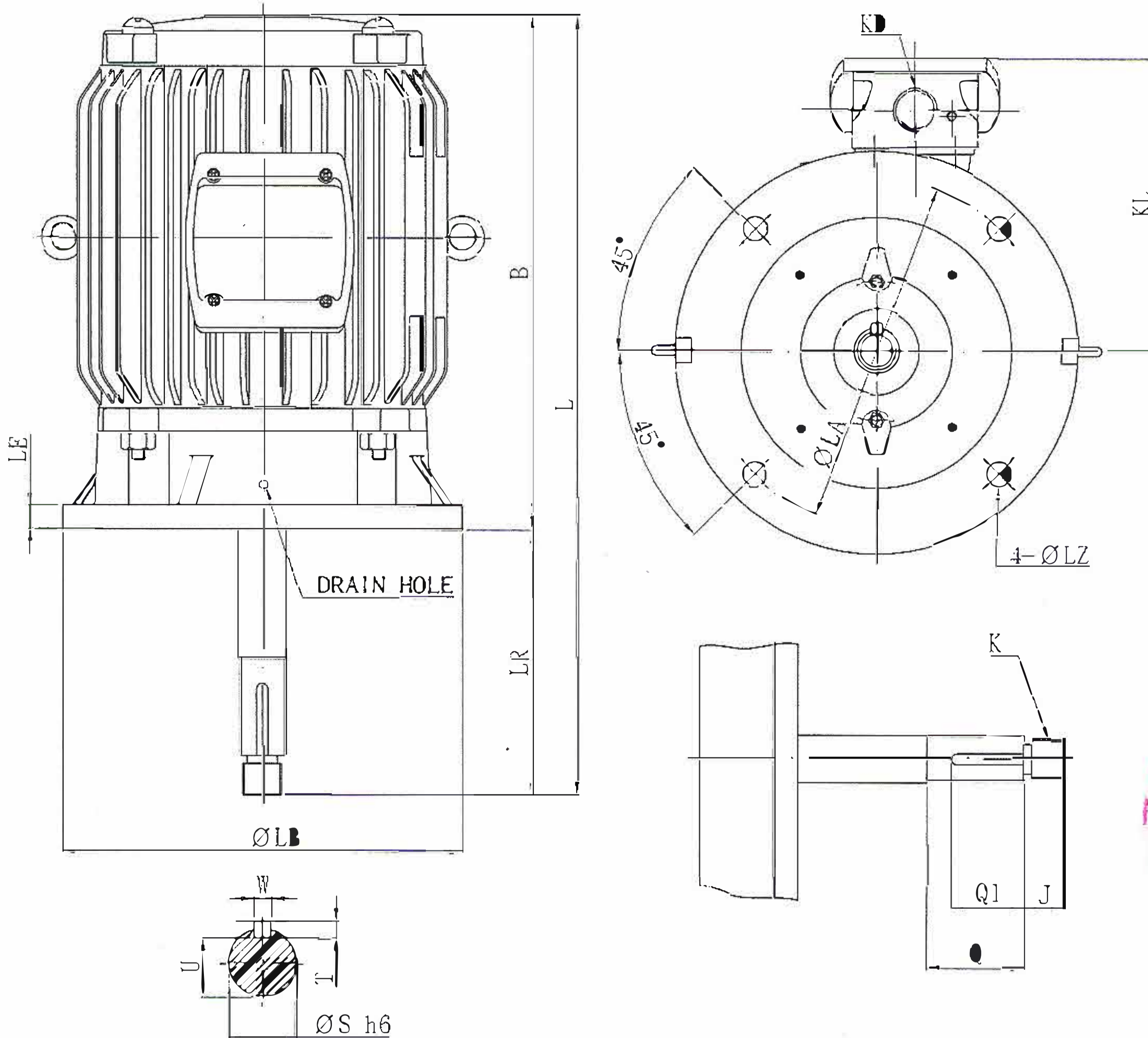
3-PHASE INDUCTION MOTOR

MOTOR TYPE : NV-D

CUSTOMER :

FRAME NO. 112M

Pole	HP	KW	Hz	VOLT	r/min(rpm)
8	2				
Ins	Rating	Dimension in	Approx Weight	Bearings	
	CONT.	MM (IN)		DE:6306zz	NDE:6305zz



REMARKES :

1. TERMINAL BOX-CAST IRON (WITH PACKING) •
2. FLANGE HAS THE DRAIN HOLE (3-Ø5 HOLE) AND WITH RUBBER FLIGER & OIL SEAL •
3. CABLE ENTRANCE OF TERMINAL BOX IS TAPED PF1" •
4. TO APPEND NUT OF STAINLESS STEEL SUS304 •

LA	LB	LE	LZ	B	L	LR	K	---	---	---	---	---	---
215 (8.46)	250 (9.84)	15 (0.59)	15 (0.59)	319 (12.56)	484 (19.06)	165 (6.50)	M24XP3	---	---	---	---	---	---
SHAFT EXTENSION							CONDUIT BOX		---	---	---	---	---
J	Q	Q1	S	T	U	W	KD	KL	---	---	---	---	---
25 (0.98)	60 (2.36)	45 (1.77)	28 (1.10)	7 (0.28)	24 (0.94)	7 (0.28)	NPT1"	180 (7.09)	---	---	---	---	---

DWN.	Y. Z. Yan	Feb.14'07		DWG NO. 94N0221
CHKD.	X. Z. Wu	Feb.14'07		
APPD.	C. W. LIN	Feb.14'07		