

3-PHASE INDUCTION MOTOR

MOTOR TYPE : NV-D

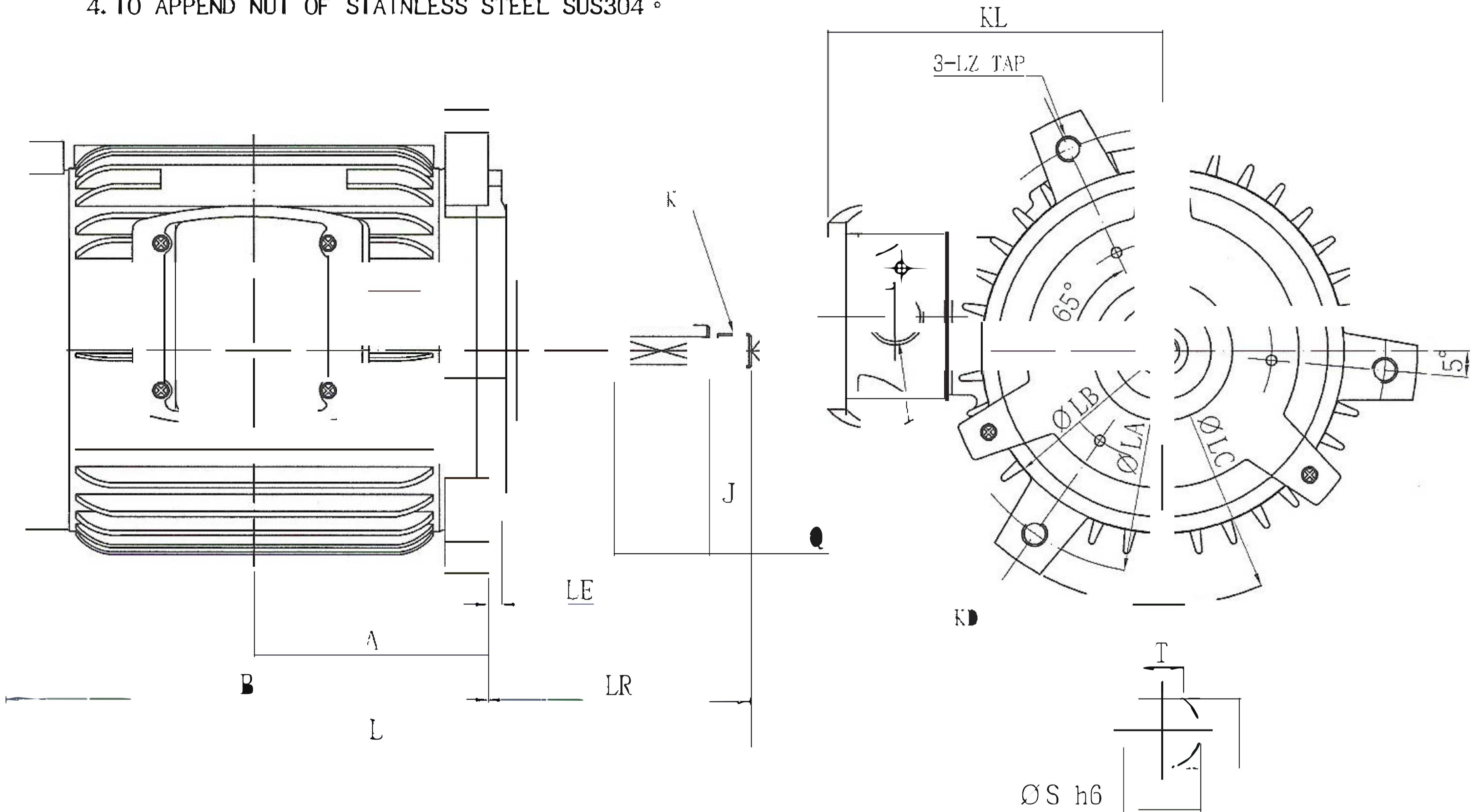
CUSTOMER :

FRAME NO. 90L

Pole 6	HP 1	KW	Hz	VOLT	r/min(rpm)
Ins	Rating CONT.	Dimension in MM (IN)	Approx Weight	Bearings DE:6205zz NDE:6204zz	

REMARKS :

1. TERMINAL BOX-CAST IRON (WITH PACKING) °
2. FLANGE HAS THE DRAIN HOLE(3-Ø5 HOLE)AND WITH RUBBER FLIGER •
3. CABLE ENTRANCE OF TERMINAL BOX IS TAPED PF3/4" °
4. TO APPEND NUT OF STAINLESS STEEL SUS304 °



LA	LB	LC	LE	LZ	A	B	L	LR	K		
210 (8.27)	180 (7.09)	240 (9.45)	6.5 (0.26)	M12 (1/2")	111 (4.37)	228 (8.98)	353 (13.90)	125 (4.92)	M16xP2		
SHAFT EXTENSION						CONDUIT BOX					
J	Q		S	T	U	KD	KL	---			
20 (0.79)	45 (1.77)		24 (0.95)	13.3 (0.52)	22 (0.87)	NPT3/4"	158 (6.22)	---			

DWN.	Y. Z. Yan	Feb.14'07
CHKD.	X. Z. Wu	Feb.14'07
APPD.	C. W. LIN	Feb.14'07

DWG NO.
94N0218