

3-PHASE INDUCTION MOTOR

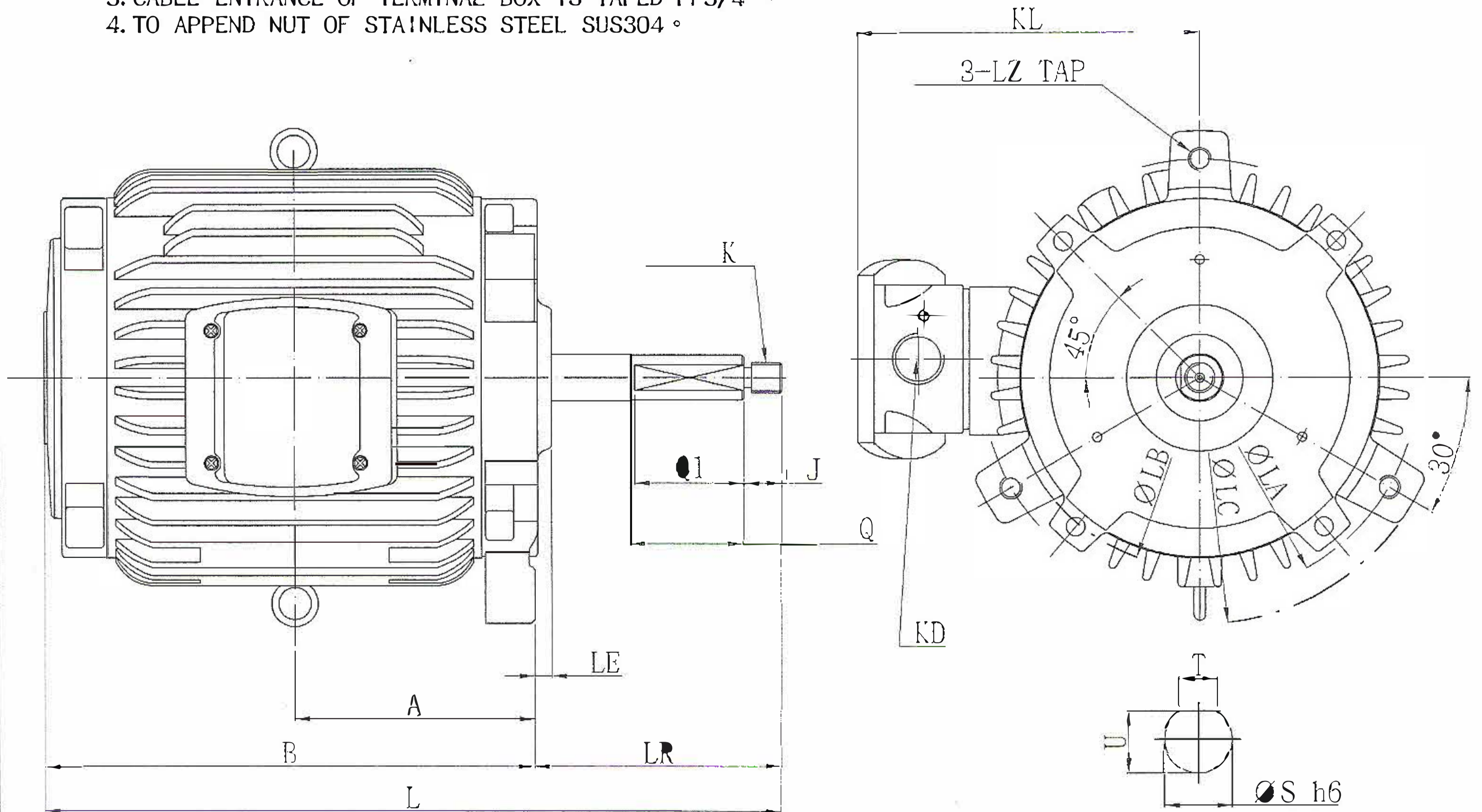
MOTOR TYPE :
NV-D

FRAME NO. 100L

Pole	HP	KW	Hz	VOLT	r/min(rpm)
6	1.5				
Ins	Rating	Dimension in	Approx Weight	Bearings	
	CONT.	MM (IN)		DE:6305zz	NDE:6304zz

REMARKES :

1. TERMINAL BOX-CAST IRON (WITH PACKING) .
2. FLANGE HAS THE DRAIN HOLE(3-Ø5 HOLE)AND WITH RUBBER FLIGER .
3. CABLE ENTRANCE OF TERMINAL BOX IS TAPED PF3/4" .
4. TO APPEND NUT OF STAINLESS STEEL SUS304 .



LA	LB	LC	LE	LZ	A	B	L	LR	K	---	---	---	---
230 (9.06)	200 (7.87)	260 (10.24)	9 (0.35)	M12 (1/2")	127 (5)	259 (10.20)	390 (15.35)	131 (5.16)	M16xP2	---	---	---	---
SHAFT EXTENSION						CONDUIT BOX			---	---	---	---	---
J	Q	Q1	S	T	U	KD	KL	---	---	---	---	---	---
20 (0.79)	60 (2.36)	58 (2.28)	24 (0.95)	13.3 (0.52)	22 (0.87)	NPT3/4"	180 (7.09)	---	---	---	---	---	---

DWN.	Y. Z. Yan	Apr. 03' 07		DWG NO.
CHKD.	X. Z. Wu	Apr. 03' 07		94N0219
APPD.	C. W. LIN	Apr. 03' 07		