

# 3-PHASE INDUCTION MOTOR

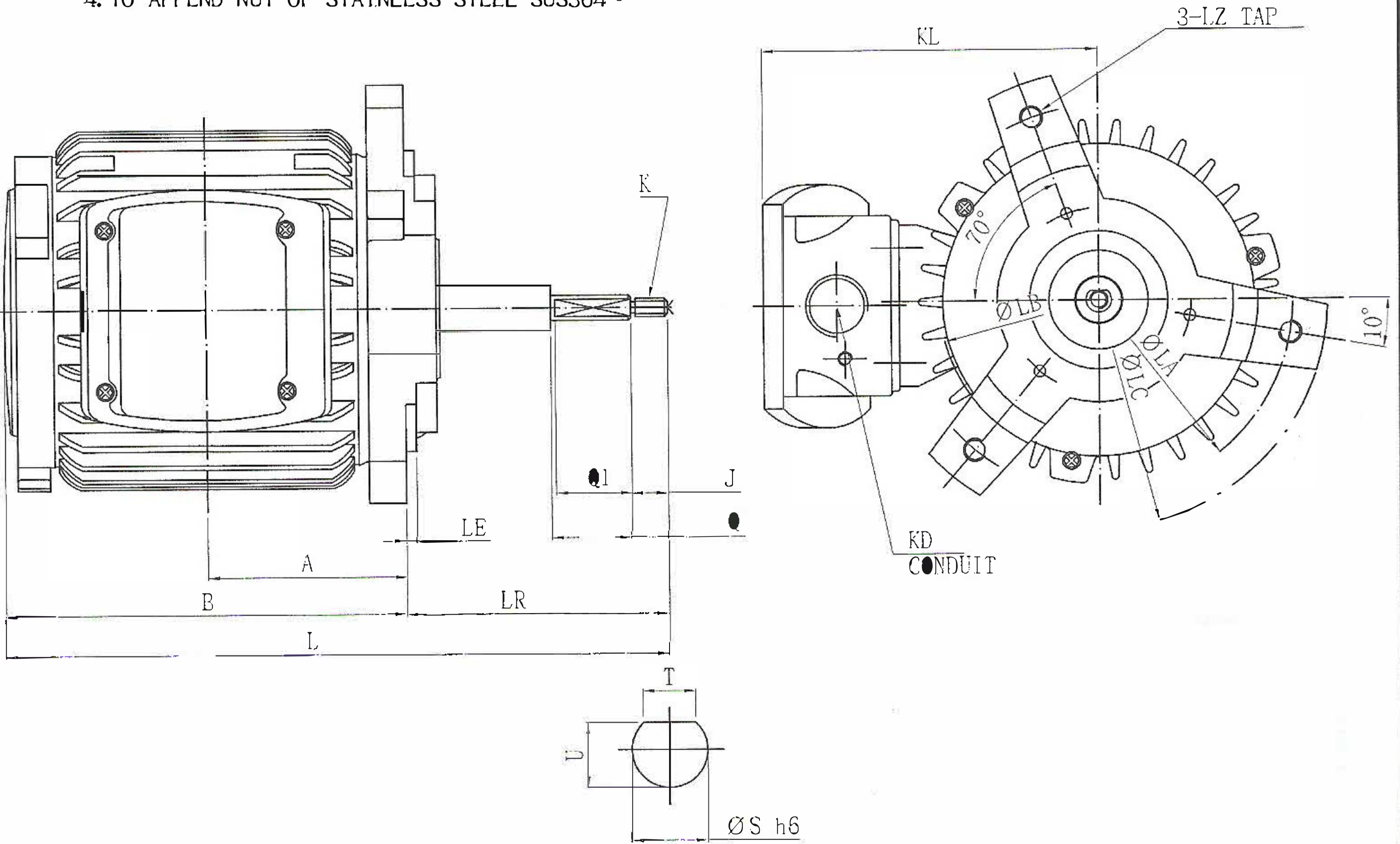
MOTOR TYPE :  
NV-D

FRAME NO. 71

Pole	HP	KW	Hz	VOLT	r/min(rpm)
6	1/6				
Ins	Rating	Dimension in	Approx Weight	Bearings	
	CONT.	MM (IN)		DE:6204zz	NDE:6202zz

REMARKES :

1. TERMINAL BOX-CAST IRON (WITH PACKING) .
2. FLANGE HAS THE DRAIN HOLE(3- $\varnothing 5$  HOLE)AND WITH RUBBER FLIGER .
3. CABLE ENTRANCE OF TERMINAL BOX IS TAPED PF3/4" .
4. TO APPEND NUT OF STAINLESS STEEL SUS304 .



LA	LB	LC	LE	LZ	A	B	L	LR	K	---	---	---	---
168 (6.61)	138 (5.43)	198 (7.80)	4.5 (0.18)	M10 (3/8")	86.5 (3.41)	175 (6.89)	281 (11.06)	114 (4.49)	M8xP1.25	---	---	---	---
SHAFT EXTENSION						CONDUIT BOX			---	---	---	---	
J	Q	Q1	S	T	U	KD	KL	---	---	---	---	---	
16 (0.63)	35 (1.38)	33 (1.30)	11 (0.43)	7.5 (0.30)	9.5 (0.37)	NPT3/4"	145 (5.71)	---	---	---	---	---	

DWN.	Y. Z. Yan	Apr.03'07	DWG NO. 94N0214
CHKD.	X. Z. Wu	Apr.03'07	
APPD.	C. W. LIN	Apr.03'07	