

# 3-PHASE INDUCTION MOTOR

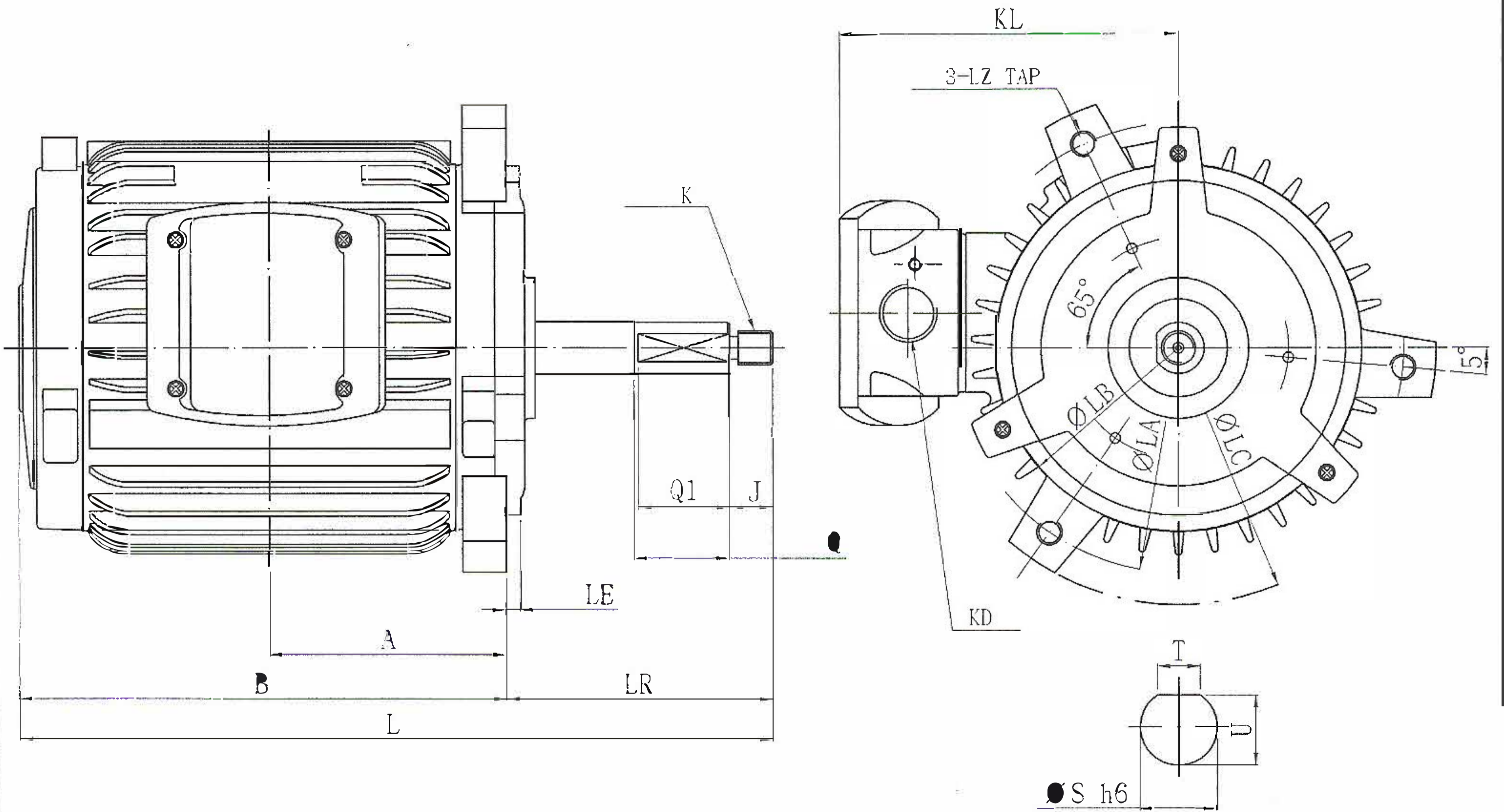
MOTOR TYPE :  
NV-D

FRAME NO. 90L

|      |        |              |               |           |            |
|------|--------|--------------|---------------|-----------|------------|
| Pole | HP     | KW           | Hz            | VOLT      | r/min(rpm) |
| 6    | 3/4    |              |               |           |            |
| Ins  | Rating | Dimension in | Approx Weight | Bearings  |            |
|      | CONT.  | MM (IN)      |               | DE:6205zz | NDE:6204zz |

REMARKES :

1. TERMINAL BOX-CAST IRON (WITH PACKING) .
2. FLANGE HAS THE DRAIN HOLE(3-Ø5 HOLE)AND WITH RUBBER FLIGER .
3. CABLE ENTRANCE OF TERMINAL BOX IS TAPED PF3/4" .
4. TO APPEND NUT OF STAINLESS STEEL SUS304 .



|                 |               |               |               |                |               |               |                |               |        |     |     |     |
|-----------------|---------------|---------------|---------------|----------------|---------------|---------------|----------------|---------------|--------|-----|-----|-----|
| LA              | LB            | LC            | LE            | LZ             | A             | B             | L              | LR            | K      | --- | --- | --- |
| 210<br>(8.27)   | 180<br>(7.09) | 240<br>(9.45) | 6.5<br>(0.26) | M12<br>(1/2")  | 111<br>(4.37) | 228<br>(8.98) | 353<br>(13.90) | 125<br>(4.92) | M16xP2 | --- | --- | --- |
| SHAFT EXTENSION |               |               |               |                |               | CONDUIT BOX   |                |               | ---    | --- | --- | --- |
| J               | Q             | Q1            | S             | T              | U             | KD            | KL             | ---           | ---    | --- | --- | --- |
| 20<br>(0.79)    | 45<br>(1.77)  | 43<br>(1.69)  | 24<br>(0.94)  | 13.3<br>(0.52) | 22<br>(0.87)  | NPT3/4"       | 158<br>(6.22)  | ---           | ---    | --- | --- | --- |

|       |           |             |                           |
|-------|-----------|-------------|---------------------------|
| DWN.  | Y. Z. Yan | Apr. 03' 07 | DWG NO.<br><b>94N0217</b> |
| CHKD. | X. Z. Wu  | Apr. 03' 07 |                           |
| APPD. | C. W. LIN | Apr. 03' 07 |                           |