



3-PHASE INDUCTION MOTOR

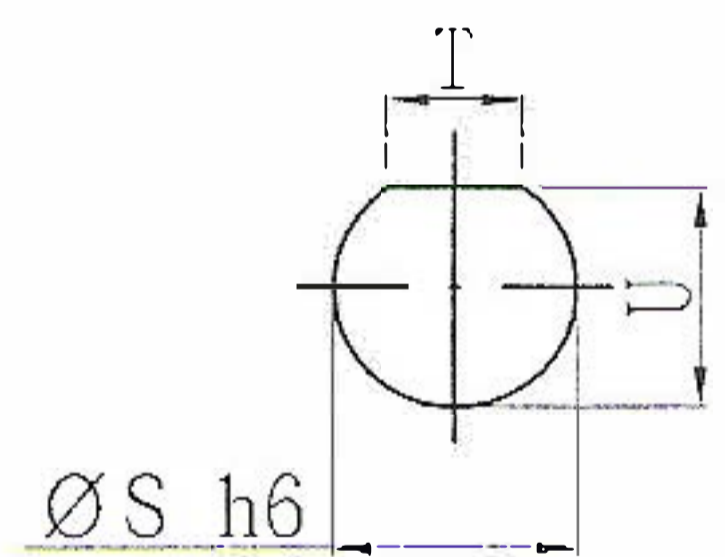
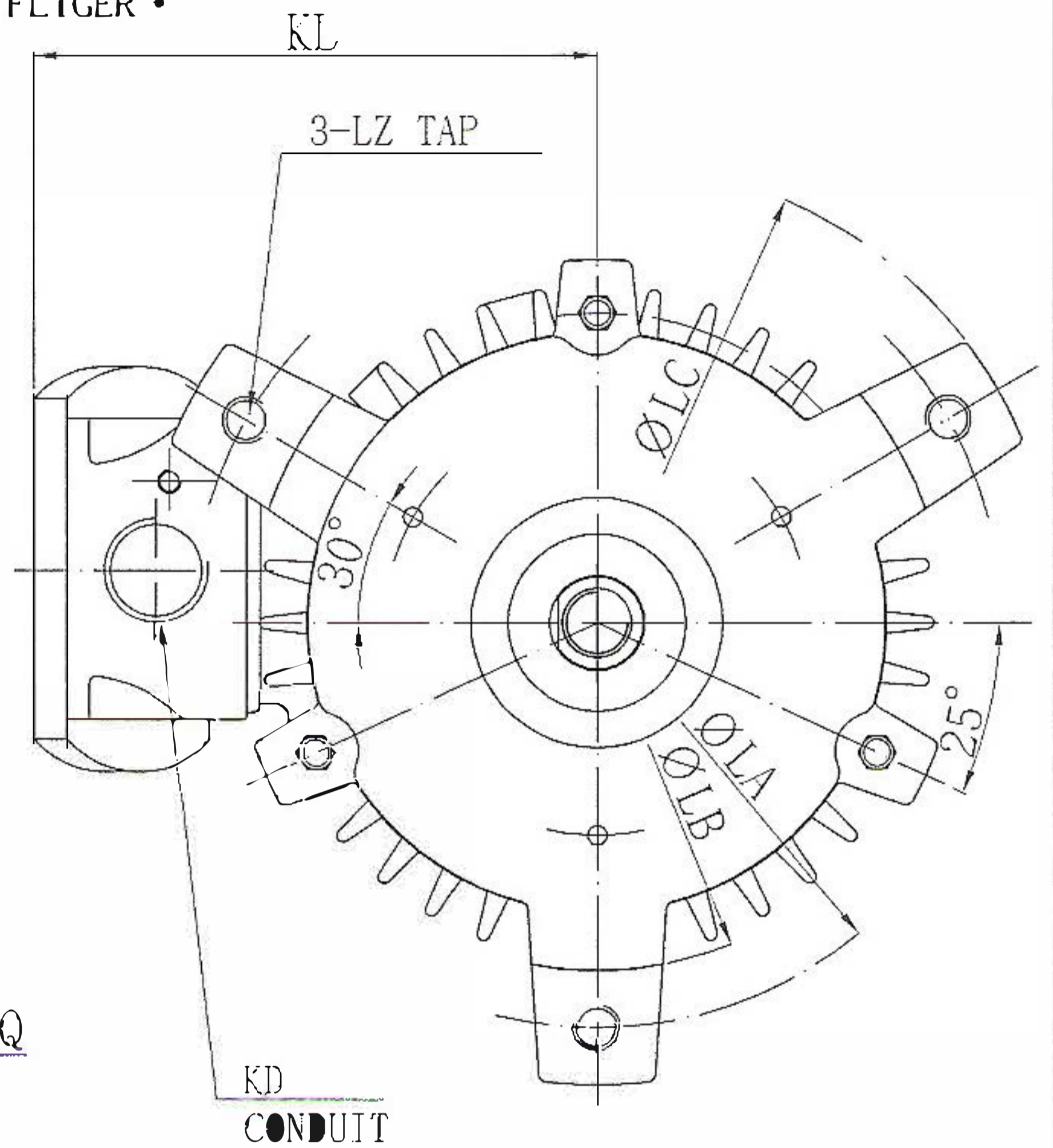
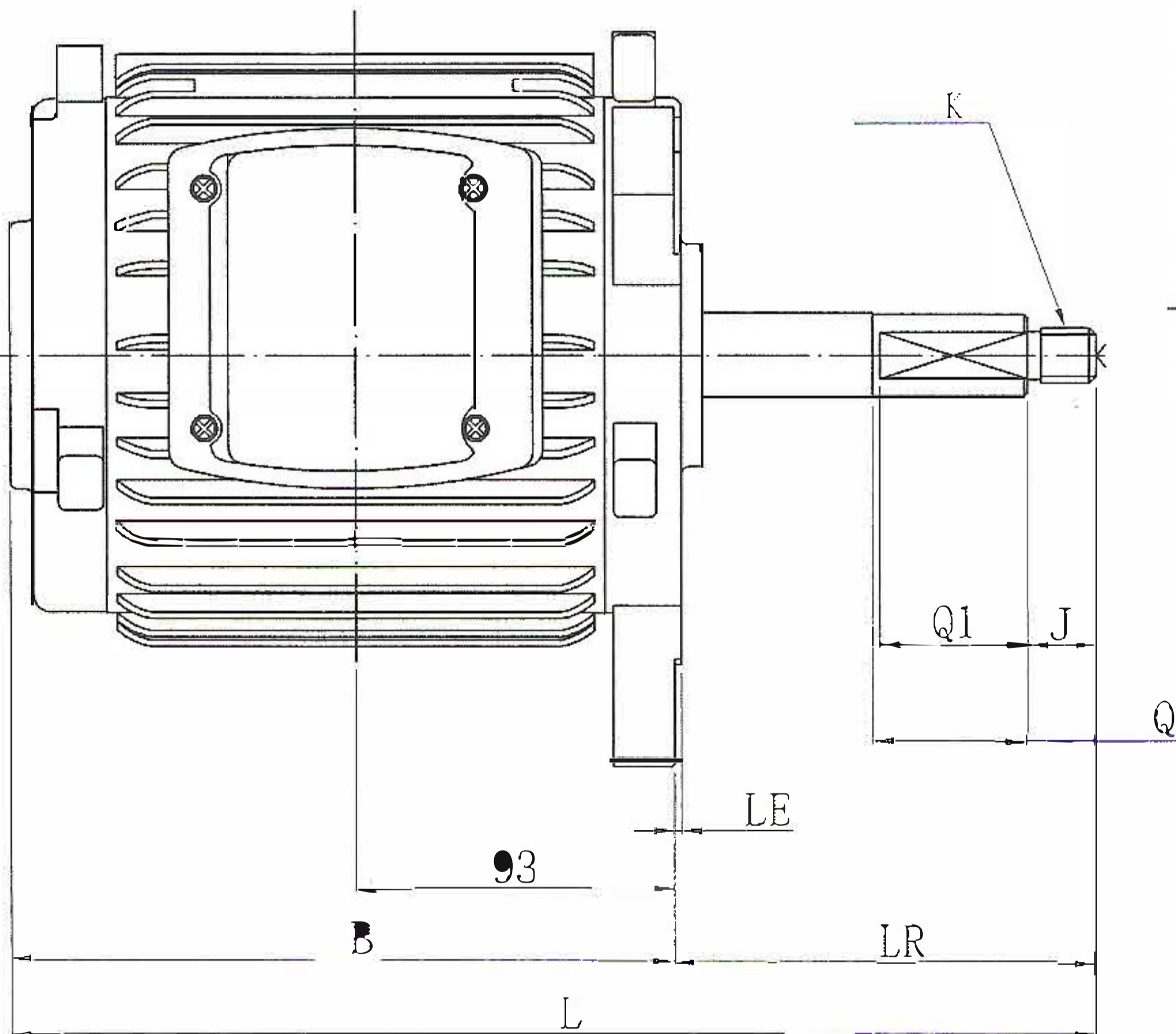
MOTOR TYPE :
NV-D

FRAME NO. 80

Pole	HP	KW	Hz	VOLT	r/min(rpm)
6	1/2				
Ins	Rating	Dimension in	Approx Weight	Bearings	
	CONT.	MM (IN)		DE:6205zz	NDE:6204zz

REMARKES :

1. TERMINAL BOX-CAST IRON (WITH PACKING) •
2. FLANGE HAS THE DRAIN HOLE(3-Ø5 HOLE)AND WITH RUBBER FLIGER •
3. CABLE ENTRANCE OF TERMINAL BOX IS TAPED PF3/4" •
4. TO APPEND NUT OF STAINLESS STEEL SUS304 •



LA	LB	LC	LE	LZ	A	B	L	LR	K	---	---	---	---
210 (8.27)	180 (7.09)	240 (9.45)	2 (0.08)	M12 (1/2")	93 (3.66)	195 (7.68)	318 (12.52)	123 (4.84)	M16xP2	---	---	---	---

SHAFT EXTENSION						CONDUIT BOX			---	---	---	---
J	Q	Q1	S	T	U	KD	KL	---	---	---	---	---
20 (0.79)	45 (1.77)	43 (1.69)	24 (0.95)	13.3 (0.52)	22 (0.87)	NPT3/4"	145 (5.71)	---	---	---	---	---

DWN.	Y. Z. Yan	Apr.03' 07		DWG NO. 94N0216
CHKD.	X. Z. Wu	Apr.03' 07		
APPD.	C. W. LIN	Apr.03' 07		