

# 3-PHASE INDUCTION MOTOR

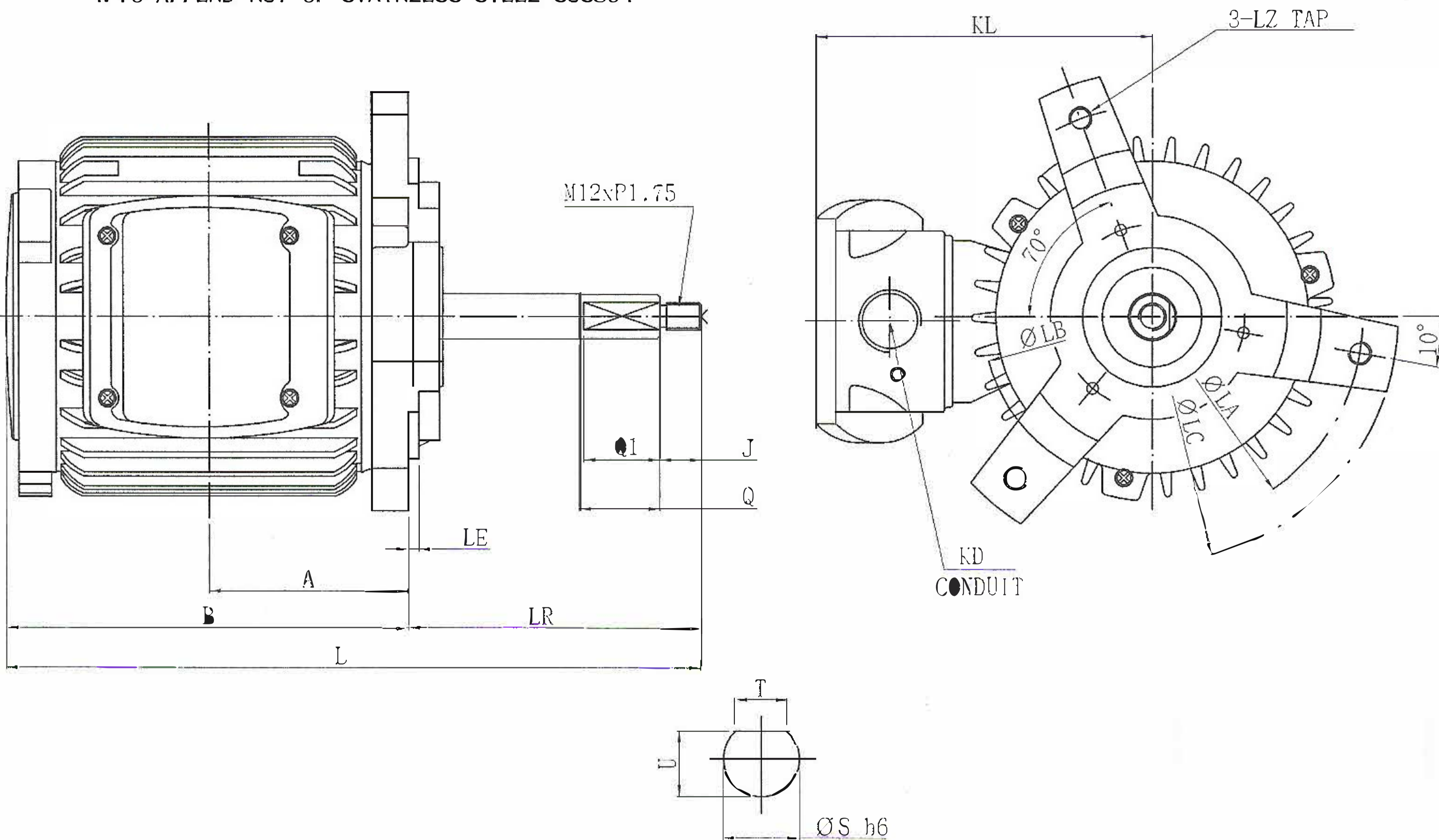
MOTOR TYPE :  
NV-D

FRAME NO. 71

Pole	HP	KW	Hz	VOLT	r/min(rpm)
6	1/4				
Ins	Rating	Dimension in	Approx Weight	Bearings	
	CONT.	MM (IN)		DE:6204zz	NDE:6202zz

REMARKES :

1. TERMINAL BOX-CAST IRON (WITH PACKING) °
2. FLANGE HAS THE DRAIN HOLE(3-Ø5 HOLE)AND WITH RUBBER FLIGER °
3. CABLE ENTRANCE OF TERMINAL BOX IS TAPED PF3/4" °
4. TO APPEND NUT OF STAINLESS STEEL SUS304 °



LA	LB	LC	LE	LZ	A	B	L	LR	K	---	---	---	---
182 (7.17)	152 (5.98)	212 (8.35)	4.5 (0.18)	M10 (3/8")	86.5 (3.41)	175 (6.92)	311.5 (12.26)	136.5 (5.37)	M12xP1.75	---	---	---	---

SHAFT EXTENSION						CONDUIT BOX			---	---	---	---
J	Q	Q1	S	T	U	KD	KL	---	---	---	---	---
22 (0.87)	35 (1.38)	33 (1.30)	19 (0.75)	11.7 (0.46)	17 (0.67)	NPT3/4"	145 (5.71)	---	---	---	---	---

DWN.	Y. Z. Yan	Apr. 03' 07	DWG NO. <b>94N0215</b>
CHKD.	X. Z. Wu	Apr. 03' 07	
APPD.	C. W. LIN	Apr. 03' 07	