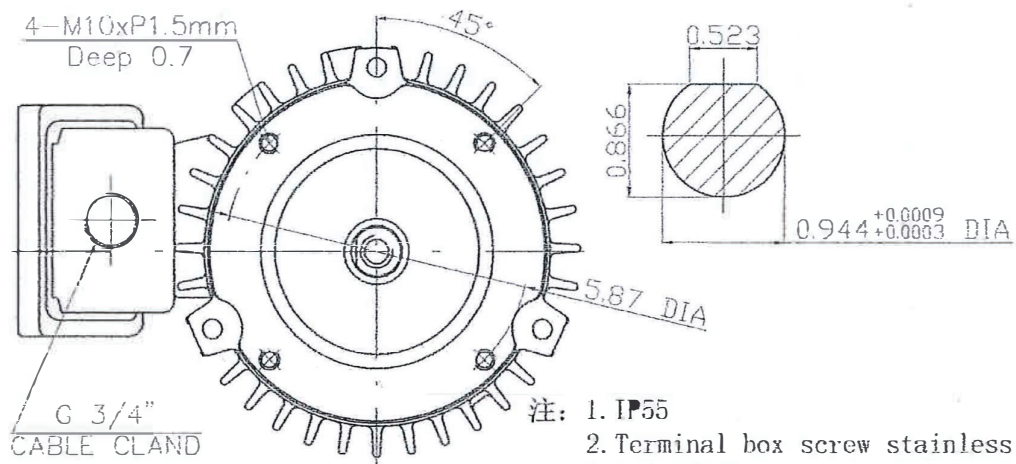
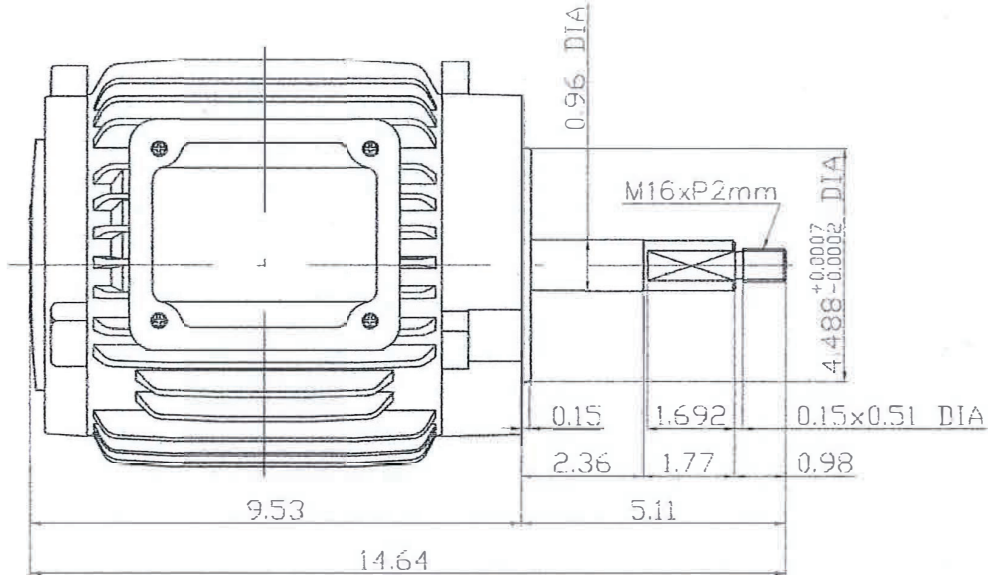


3-PHASE INDUCTION MOTOR

Type	Out Poles	Poles	Rating Voltages	Hertz	Frame	Ins. class	Weight
AEVF-NM	0.5HP	6P			145C	F	Kg
	0.75HP						
	1HP						
							B-2



- 注: 1. IP55
 2. Terminal box screw stainless steel
 3. Add SUS304 nuts to shaft end
 4. Shaft end eccentricity below 0.15mm

OUTLINE DIMENSIONS

	7		CUSTOMER
LCN900002		SU ZHOU LIANG CHI MOTOR CO., LTD.	