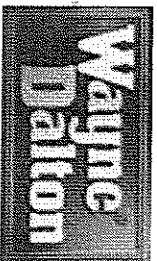
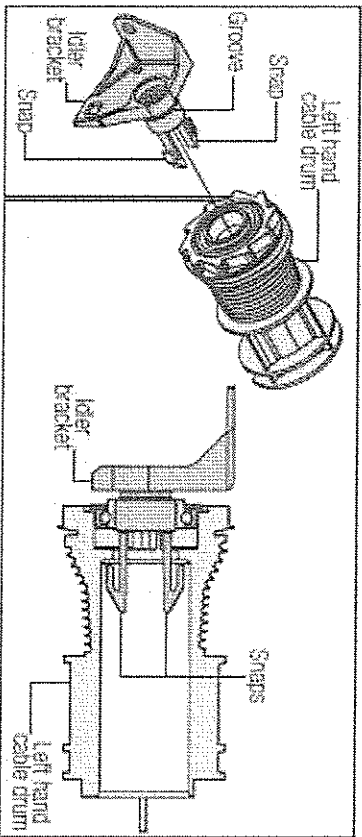


# TM Plus Single Spring Idler Bracket

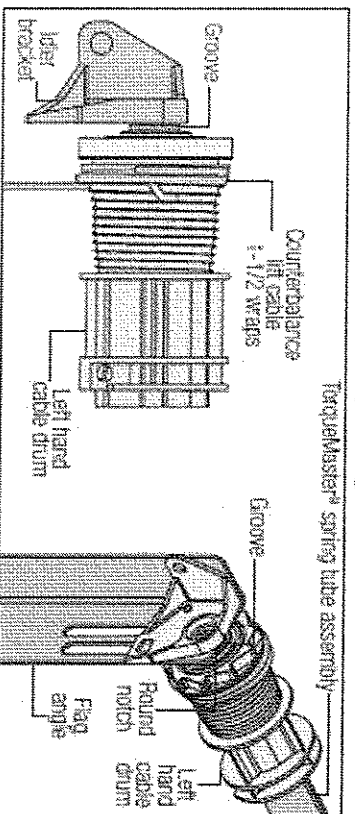
## Installation



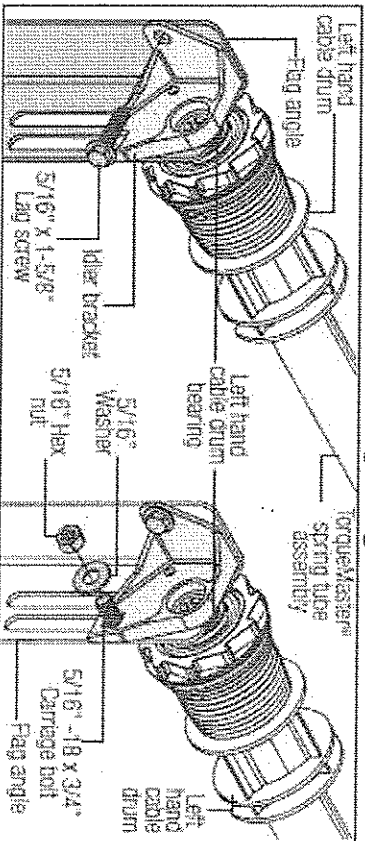
Snap-in to the drum, two "clicks":



Place groove on flag angle:



Fasten to jamb and flag angle:



Verify Drum Position:

