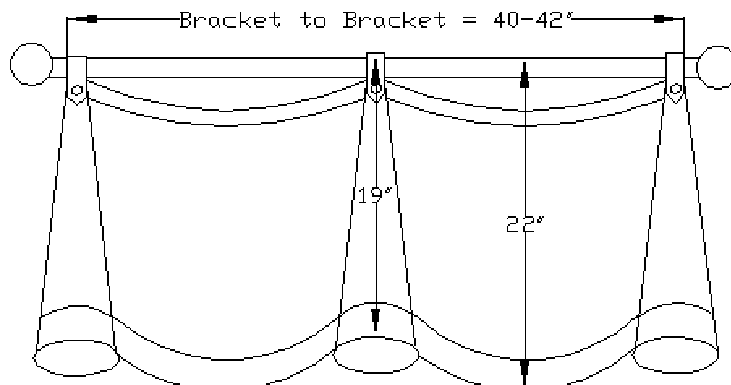




CLAUDINE VALANCE

©2003 Pate-Meadows Designs, Inc. (Rev. 10/13)

- This simple, yet smart tab valance with banding along the top and bottom edge can be adapted to fit any size window by adding additional swag sections. Our instructions are for a valance that is 40" to 42" finished width. The information needed to add to or reduce the width is included. The finished length of the valance is approximately 22" at the swag and 19" at the horns.



- This valance works best when constructed out of a medium-weight decorative fabric. The side horns and middle horn are lined in a contrasting fabric and the swag sections are lined with regular drapery lining; however, piping must be used to prevent the lining from showing at the bottom of the treatment.
- Use a drapery interlining to give the valance the best body and shape. Interlining is a flannel-like cotton fabric that hangs between the face fabric and the lining. It is available in white and natural colors and can be found at most decorative fabric stores or at www.patemeadows.com. It is **not** the same thing as interfacing.
- We mounted our valance on an iron rod approximately 1" in diameter. A larger diameter rod may be used; however, the tabs will have to be adjusted.

MATERIALS

These amounts are for a valance measuring 40" to 42" finished, installed width (bracket to bracket measurement). See chart for other widths. **These amounts are based on 54" wide fabric.**

Fabrics:

- 1 ½ yards of decorative fabric for valance front*
- 2 ½ yards of contrasting fabric for facings tabs, band & piping

*Allow extra fabric for matching of patterned fabric

**Available at www.patemeadows.com

Supplies:

[Erasable fabric marker](#) *
[10 yards of 4/32"-diameter cotton piping](#) *
[Steam-A-Seam2® ½" or Sealah Tape and Glue Gun](#) *
[3 cover-your-own buttons 7/8" diameter](#) *
[Rod, brackets and finials](#)
[1" & 2" Bias Tape Makers - optional](#) *

YARDAGE FOR OTHER WINDOW WIDTHS

Window Width	Face fabric* & interlining	Drapery Lining	Contrasting fabric for horn lining, tabs, bands & piping	4/32" cotton piping	Cover-Your-Own Buttons
Up to 42"	1 ½ yds	¾ yd	2 ½ yds	5 yds	3
43" to 63"	2 yds	1 ½ yds	3 yds	7 yds	4
64 to 84"	2 ½ yds	1 ½ yds	3 ½ yds	9 yds	5
85 to 99"	3 yds	2 ¼ yds	4 yds	11 yds	6

* These amounts are based on 54" wide fabric. Allow extra fabric to match patterns and plaids. These amounts are based on unaltered swag sections (A). Allow extra fabric if swag section (A) has been enlarged. These fabric requirements are based on the assumption that one treatment is being constructed. If multiple treatments are being constructed, fabric requirements could be less than shown above.