



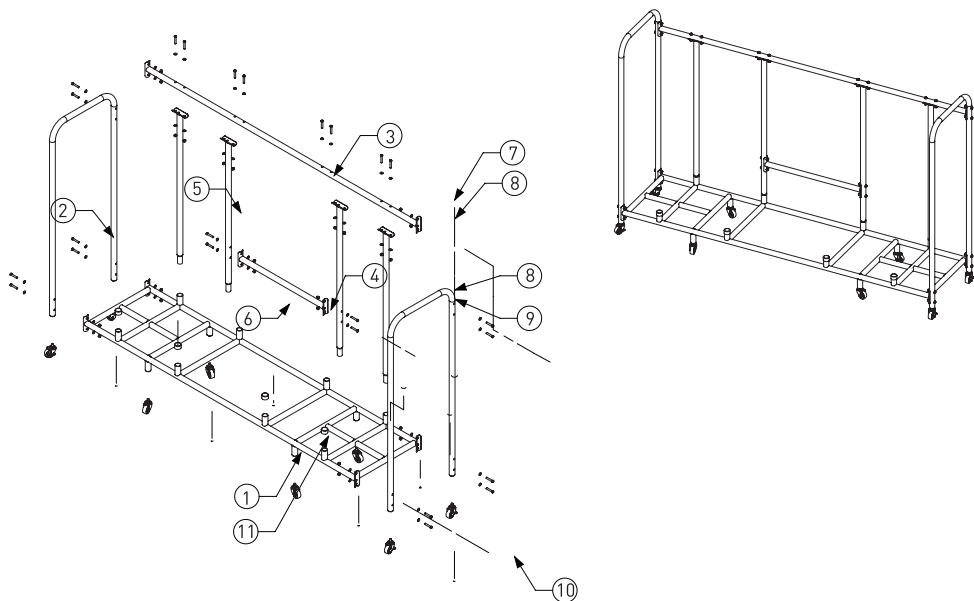
# Instructions

## Step and Riser Rack

### WARNING

- Prior to assembly, remove the components from the box and verify that all the listed parts were supplied.
- Please make sure all bolts, nuts and washers are tightly fastened.
- Please refer to diagram for installation.
- The unit should only be used on a level surface and is intended for indoor use only.

BODY SPORT SELLS THIS PRODUCT AS-IS AND MAKES NO WARRANTY, EXPRESS OR IMPLIED, INCLUDING, WITHOUT LIMITATION, ANY IMPLIED WARRANTY OF MERCHANTABILITY OR FITNESS FOR A PARTICULAR PURPOSE, ALL SUCH WARRANTIES BEING HEREBY EXPRESSLY EXCLUDED.



No.	Item No.	Quantity
1	Bottom Frame	1
2	Side Frame	2
3	Top Horizontal Bar	1
4	Lower Horizontal Bar	1
5	Back Vertical Bar (outside)	2
6	Back Vertical Bar (inside)	2
7	M8 x 45 Bolt	24
8	8 Washer	48
9	M8 Nut	24
10	Caster	8
11	Tube end cap (pre-assembled)	8