



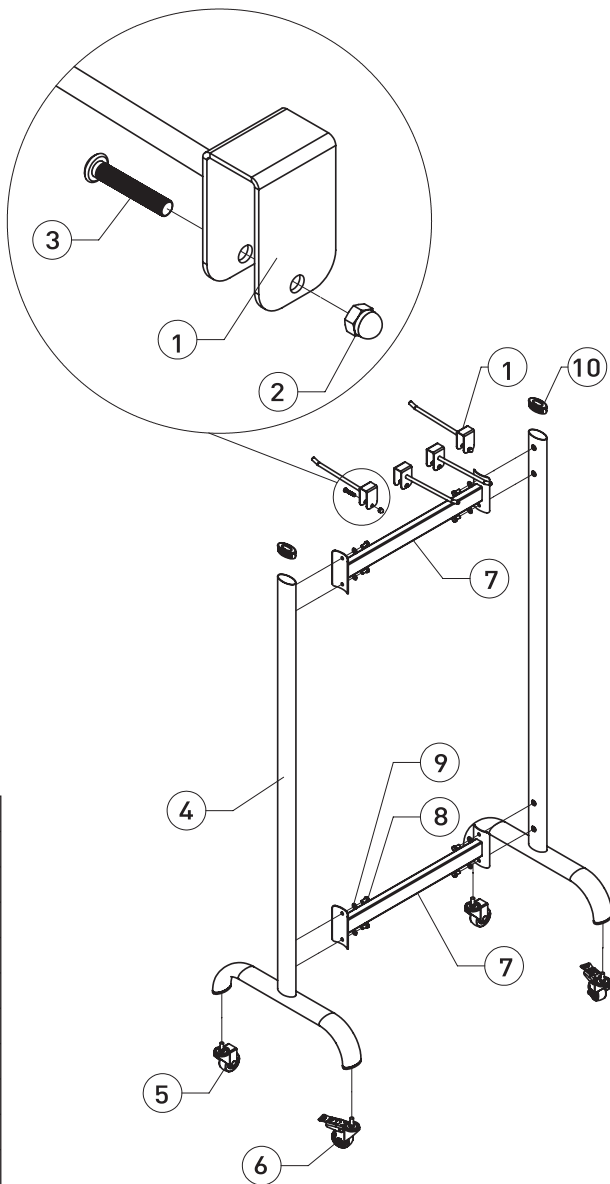
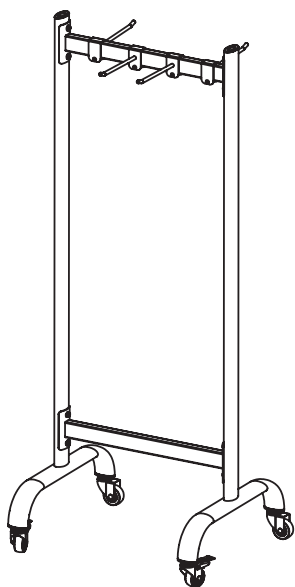
Instructions

Standing Adjustable Mat Rack

WARNING

- Prior to assembly, remove the components from the box and verify that all the listed parts were supplied.
- Please make sure all bolts, nuts and washers are tightly fastened.
- Please refer to diagram for installation.
- The unit should only be used on a level surface and is intended for indoor use only.

BODY SPORT SELLS THIS PRODUCT AS-IS AND MAKES NO WARRANTY, EXPRESS OR IMPLIED, INCLUDING, WITHOUT LIMITATION, ANY IMPLIED WARRANTY OF MERCHANTABILITY OR FITNESS FOR A PARTICULAR PURPOSE, ALL SUCH WARRANTIES BEING HEREBY EXPRESSLY EXCLUDED.



No.	DESCRIPTION	Q'TY
1	Hang Stick	4
2	Lid Nut M8	4
3	Screw M8X45	4
4	Side Shelf	2
5	Caster	2
6	Caster With Brake	2
7	Beam	2
8	Bolt_M10X20	8
9	Washer 10	8
10	End Cap	2