



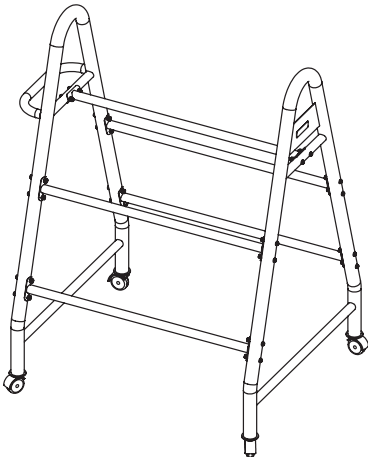
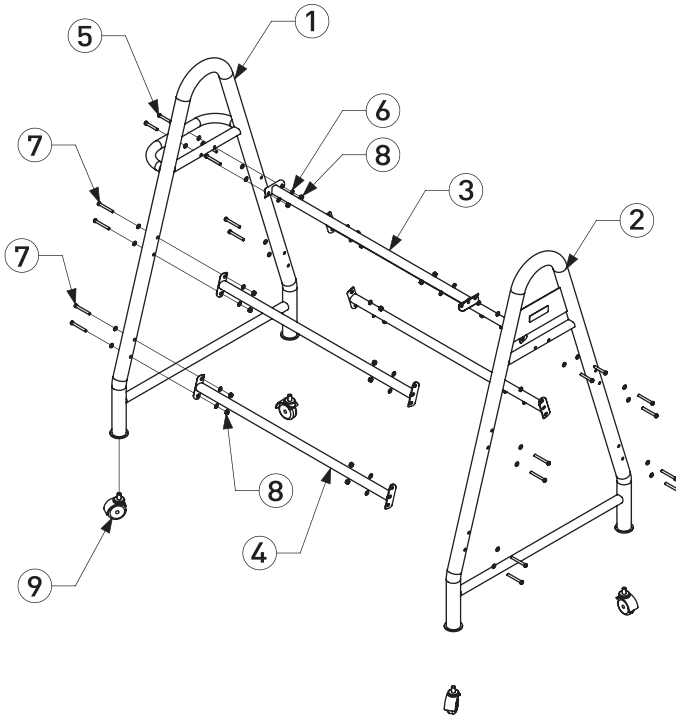
# Instructions

## Mat Rack

### WARNING

- Prior to assembly, remove the components from the box and verify that all the listed parts were supplied.
- Please make sure all bolts, nuts and washers are tightly fastened.
- Please refer to diagram for installation.
- The unit should only be used on a level surface and is intended for indoor use only.

BODY SPORT SELLS THIS PRODUCT AS-IS AND MAKES NO WARRANTY, EXPRESS OR IMPLIED, INCLUDING, WITHOUT LIMITATION, ANY IMPLIED WARRANTY OF MERCHANTABILITY OR FITNESS FOR A PARTICULAR PURPOSE, ALL SUCH WARRANTIES BEING HEREBY EXPRESSLY EXCLUDED.



No.	Description	Quantity
1	Left Frame	1
2	Right Panel	1
3	Top Frame Connection Tube	1
4	Frame Connection Tube	4
5	M6 x 40 Bolt	4
6	6 Washer	40
7	M6 x 50 Bolt	16
8	M6 Nut	20
9	Caster	4