



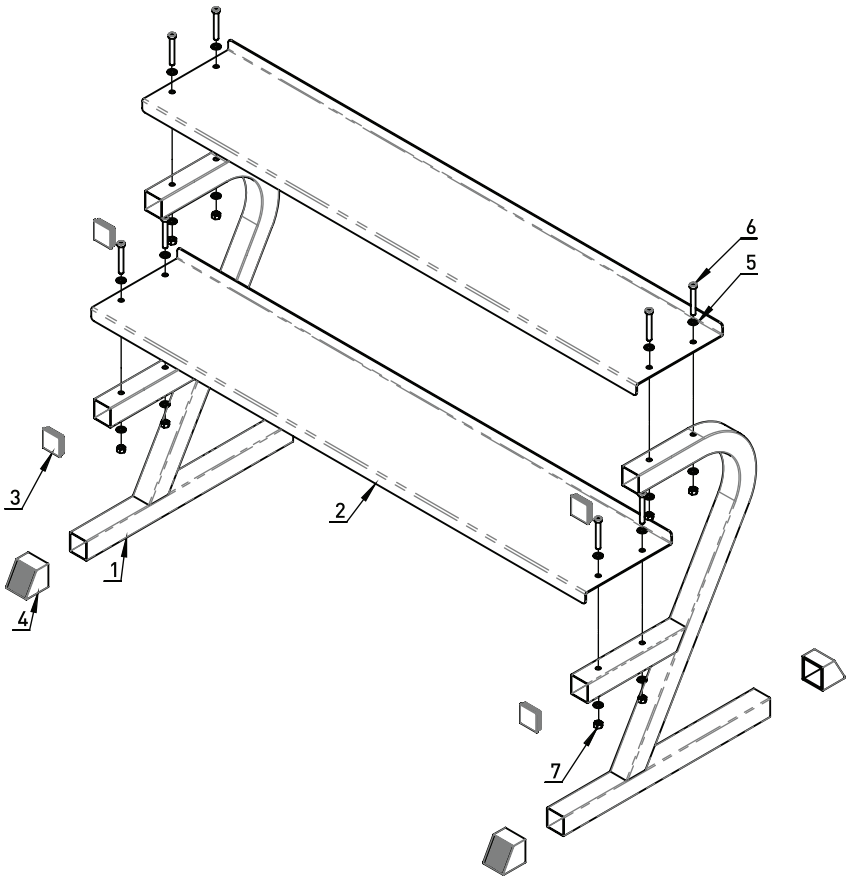
# Instructions

## Kettlebell Rack

### WARNING

- Prior to assembly, remove the components from the box and verify that all the listed parts were supplied.
- Please make sure all bolts, nuts, and washers are tightly fastened.
- Please refer to diagram for installation.
- The unit should only be used on a level surface and is intended for indoor use only.

BODY SPORT SELLS THIS PRODUCT AS-IS AND MAKES NO WARRANTY, EXPRESS OR IMPLIED, INCLUDING, WITHOUT LIMITATION, ANY IMPLIED WARRANTY OF MERCHANTABILITY OR FITNESS FOR A PARTICULAR PURPOSE, ALL SUCH WARRANTIES BEING HEREBY EXPRESSLY EXCLUDED.



| No. | Item No.       | Quantity |
|-----|----------------|----------|
| 1   | Leg            | 2        |
| 2   | Shelf          | 2        |
| 3   | End cap        | 4        |
| 4   | Angled end cap | 4        |
| 5   | Washer         | 16       |
| 6   | Bolt           | 8        |
| 7   | Nut            | 8        |