



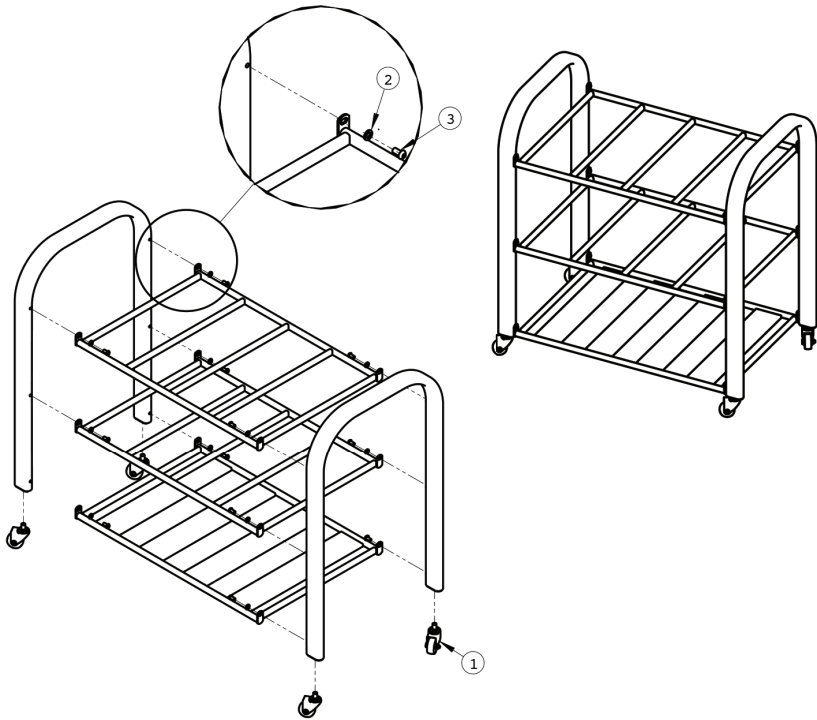
Instructions

Foam Roller Rack

WARNING

- Prior to assembly, remove the components from the box and verify that all the listed parts were supplied.
- Please make sure all bolts, nuts, and washers are tightly fastened.
- Please refer to diagram before installation.
- The unit should only be used on a level surface and is intended for indoor use only.

BODY SPORT SELLS THIS PRODUCT AS-IS AND MAKES NO WARRANTY, EXPRESS OR IMPLIED, INCLUDING, WITHOUT LIMITATION, A NY IMPLIED WARRANTY OF MERCHANTABILITY OR FITNESS FOR A PARTICULAR PURPOSE, ALL SUCH WARRANTIES BEING HEREBY EXPRESSLY EXCLUDED.



No.	Description	Quantity
1W	heels4	
2M	8 Washers	12
3M	8 x 16mm Sockets1	2