



PixelTUF discreetly presents both mains and power delivery USB fast charging in an ultra-compact form. PixelTUF provides the solution for easily accessible multiple power and USB charging options in a single easy to install module.

Perfectly suited to office, education and public spaces, hospitality, hotels, and break out areas – the addition of the versatile PixelTUF to any commercial project is only limited by the imagination.

Specify PixelTUF with Australian or a wide range of international power socket options. Fast USB charging of up to two mobile devices is provided via the fully integrated TUF PD USB fast charger. Unique to OE Elsafe is the reversible A port which accepts connector cables both ways for a single attempt connection every time.



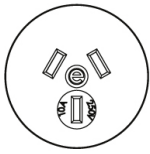
PixelTUF is available in black or white with black, white or a satin silver grommet ring. PixelTUF's unique shape is designed to ensure protection against liquid ingress as required by AS/NZS3000.



Pixel-8 coloured grommet rings available on request



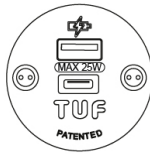
AC Modular sockets for Pixel TUF



Australia / New Zealand

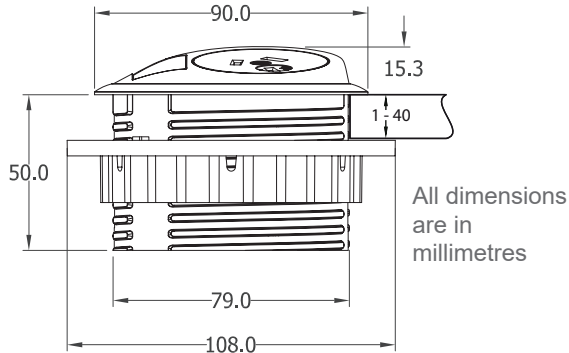


TUF PD Charger



TUF-R Charger

Pixel TUF Dimensions



Fitting:

Fitting PixelTUF couldn't be simpler. Most desks have an industry standard 80mm hole already in place. Simply take the fixing nut off your PixelTUF, feed the cables through the hole and gently slide your PixelTUF into place. Make sure your PixelTUF is facing the desired orientation and screw the fixing nut back on until it is firmly in place. PixelTUF will fit any surface from 1mm to 40mm. Please see website for further details and video.

Additional Features

- Dynamic voltage adjustment to compensate for cable voltage loss
- Protection from external surges
- Blue LED fast charge / Green LED super fast PD charge

Features	
Internal over temp protection	Yes, self resetting Blue and Green LED Flash
Internal over voltage protection	Yes, self resetting
Output over current protection	Yes, self limiting Type C - Flash Green Type A - Flash Blue
Short circuit protection	Yes, self resetting
Power indicator	Blue LED Standard Voltage Green LED Higher Voltage (PD/QC)
USB Sockets	Gold plated for improved contact. Type A and Type C manufactured for minimum 10,000 insertions. .
Charge Standards	(IDR) - Intelligent Device Recognition, PD3.0; QC2/QC3
Standards	Certified to IEC 62368-1 : 2014 (safety) and EN61204 : 2000 (EMC)

Features

Power:

Single AC power socket from our 42mm range

TUF PD (Power Delivery) USB Charging:

Twin USB Fast Charger (TUF A+C) maximum combined output of 25W.

Reversible A PORT:

Unique to OE Elsafe is the reversible A port. Both C and A USB connector cables can be inserted both ways.

Power input:

3 core 1.5mm² power cord to GST 18/3 Wieland or appropriate power cord to national mains plug.

Data A/V cable pull though: Single cable up to 9mm Ø via knock-out in pixel/TUF fascia

Cable management: attachment point for pathfinder umbilical.

Testing:

100% testing - continuity, polarity, insulation & earth, plus TUF charger output.

Colours:

Standard colours: Black or white.

Band options: Black, white, silver or pixel-8 colour options.

Device charge times	10-90% charge time (minutes)
iPhone X Max	65 minutes
iPhone X	77 minutes
Samsung S9 plus	79 minutes
Samsung S10	63 minutes
Low battery boost charge	up to 20% in ten minutes for most newer mobile phones

Specifications	
USB charging outlets	1 x type A female (reversible)
	1 x type C female (reversible)
Charging current	Type C 5V/3A, 9V/2.22A, 15V/1.7A, 20V/1.2A (PD3.0) Type A: 5V/3A, 9V/2A, 12V/1.5A (QC3.0/QC2.0) Combined (A+C) : 5V/4.0A (MAX)
Rated total output power	25W
AC voltage range	100-240VAC at 50/60Hz
Ac input current (full load)	Maximum 0.6A
Efficiency	Up to 90%
Environment	0-25°C
Standby power	0.05W