

pixelARC



In order to meet the growing need for easily accessible mobile device charging the new PixelARC combines a mains AC socket, together with USB charging and wireless charging in one compact yet powerful unit.

Providing 10W of wireless charging power PixelARC is one of the fastest wireless chargers on the market. PixelARC will fast charge wireless enabled phones on contact with a range to accommodate mobile phone cases up to 4 mm thick.

PixelARC includes a standard mains socket plus power delivery USB A+C fast charging in an ultra-compact form. Perfectly suited to desktops and workstations, breakout areas, meeting rooms, hotels, and other public spaces – installation of PixelARC is only limited by the imagination.

PixelARC is simple to install in an 80mm hole cut-out in surface thicknesses from 8-40 mm. Once installed PixelARC is convenient for either a full charge or a quick boost when you need it most!

FEATURES

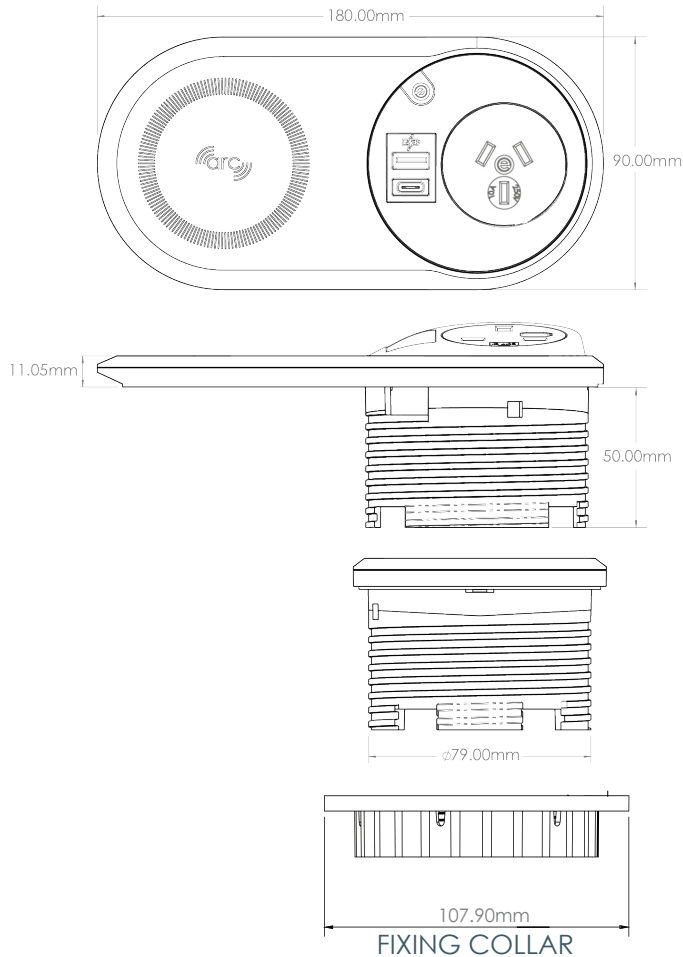
- Fast Charge up to 10W
- Fast Charge Apple & Samsung
- Commercial Grade, Premium Design
- Easy Installation into Ø80 mm Cutout



pixelARC technical

PixelARC INSTALLATION

PixelARC fits into a standard Ø80mm grommet hole and is securely held in place by the large plastic locking collar which can be tightened by hand.



ARC-g (no PixelTUF)



ARC-G is an ARC wireless charger in an 80mm grommet with no pixel / pixelTUF insert. ARC-G is suitable for retro fitting to existing Pixel/PixelTUF modules. Alternatively ARC-G can be installed with the grommet open or fitted with our Brush Grommet for cable feed.

Configuration

- 1 x OE 42mm range AC socket
- 1 x OE TUF A+C 25W USB charger or TUF HP 72W USB Laptop Charger with an under-desk PSU.
- 1 x OE ARC 10W Wireless charger module

Construction

High strength fire retardant polycarbonate
Colours

All black with black sockets, white with white sockets

Power cord options:

PixelARC may be ordered either hardwired to:

- mains AC plug to match AC socket type, or
- male Wieland GST18 connector for connection to an under desk module or to a mains supply socket via an OE starter cable

Wireless charger module power supply:

The ARC wireless charger module requires connection to an external 9V DC supply via the supplied 2 metre USB Type A cable. A plug top USB charger which requires an available below desk AC socket can be ordered as an option with PixelARC

Quality & Testing

All PixelARC units are manufactured using ISO9001 quality controlled components and practices and are 100% tested before dispatch:

- Visual: Configuration and appearance.
- Power sockets: Continuity, polarity, insulation & earth.
- USB charger: Output voltage and resistance.
- Wireless charger: Charging current in test receiver.

CERTIFICATIONS:

AC Power socket:

AS/NZS 3112

TUF PD USB charger:

Certified to IEC 62368-1 : 2014 (safety) EN61204 : 2000 (EMC). (IDR) - PD3.0; QC2/QC3

TUF HP USB Charger and Power Supply Unit (PSU):

Safety – UL/IEC 62368-1 : 2014 (safety) EN61204 : 2018 (EMC). (IDR) - PD3.0; QC2/QC3

ARC Wireless Charger:

Qi, IEC60950-1 (Safety), EN 301 489-1 (EMC), EN 303 417 (Radio), EN62311 (Health), ROHS



ARC Wireless Charger Specifications	
Output Power	10W (DC5V 1A / 9V 1.1A)
Input Power (Charger)	15W Max (DC5V 2A / 9V 1.67A)
Standby Power	0.1W
Charging Z- Distance	up to 4mm for phone cases

Arc Wireless Charger Specifications	
Surface Cutout Size	Ø80 mm
Surface Thickness	8-40 mm
Certification	Qi, IEC60950-1 (Safety), EN 301 489-1 (EMC), EN 303 417 (Radio), EN62311 (Health), ROHS

TUF PD (25W) Specifications	
Internal Over Temp Protection	Yes, self resetting Blue and Green LED Flash
Internal Over Voltage Protection	Yes, self resetting
Output over current protection	Yes, self limiting Type C - Flash Green Type A - Flash Blue
Short Circuit Protection	Yes, self resetting
Power indicator	Blue LED Standard Voltage Green LED Higher Voltage (PD/QC)
USB Sockets	Gold plated for improved contact. Type A and Type C manufactured for minimum 10,000 insertions. .
Charge Standards	(IDR) - Intelligent Device Recognition, PD3.0; QC2/QC3
Standards	Certified to IEC 62368-1 : 2014 (safety) and EN61204 : 2000 (EMC)

TUF PD (25W) Specifications	
USB Charging Outlets	1 x type A female (reversible) 1 x type C female (reversible)
Charging Current	Type C 5V/3A, 9V/2.22A, 15V/1.65A, 20V/1.2A (PD3.0) Type A: 5V/3A, 9V/2A, 12V/1.5A (QC3.0/QC2.0) Combined (A+C) : 5V/4.0A (MAX)
Rated Total Output Power	25W
AC Voltage Range	100-240VAC at 50/60Hz
AC Input Current (full load)	Maximum 0.6A
Efficiency	Up to 90%
Environment	0-25°C
Standby Power	0.05W

TUF HP (72W) Specifications	
USB Charging Outlets	1 x type A female (reversible) 1 x type C female (reversible)
Charging Current	TYPE C: MAX 60W 20V/3A, 15V/3A, 9V/3A, 5V/3A (PD3.0) 3.3-11.0V / 3.2A QC 2/3.0 5V/3A, 9V/2A, 12V/1.5A TYPE A: MAX 12W, 5V / 2.4A IDR BC1.2, Apple 12W Mode, Samsung Fast Charge
Rated Total Output Power	72W
Input Voltage	24 – 30V DC
Environment	0-25°C
Over Current Protection	Yes. Digital control at 3.3A. Auto reset with LED flash.
Short Circuit Protection	Yes. Digital control at 3.3A. Auto reset.
Over Temperature Protection	Auto power reduction to PD 45W mode. 20V/2.25A, 15V/3A, 9V/3A, 5V/3A
Power Indicator	Green LED
Certifications	UL/IEC 62368-1 : 2014 (safety) & EN61204 : 2018 (EMC)

QF30 PSU Specifications	
Input Connectors	1x Male Mains GST18/3 input 20A Installation Coupler
Output Connectors	1x Female Mains GST18/3 output 20A Installation Coupler 1x Female 30V DC GST08 output
Input Voltage	100-230 VAC 50-60HZ
Rated Input Current	1.7A
AC Through Current Rating	20A
Output Power	MAX 70 Watts
Output Voltage	30V DC
Output Current Rated	2.34A
Standby Power	0.21W
Efficiency	92% Max
Over Current Protection	Yes
Short Circuit Protection	Yes
Over Temperature Protection	Yes
Status Indication	Yes Blue LED - POWER ON
Standards	UL/IEC 62368-1 : 2018 (safety) and EN61204 : 2018 (EMC)