



PHASE is an exciting new concept in power modules from OE Elsafe that is ideal for providing convenient but discreet power and data in offices, hotels, restaurants, airports and public spaces.

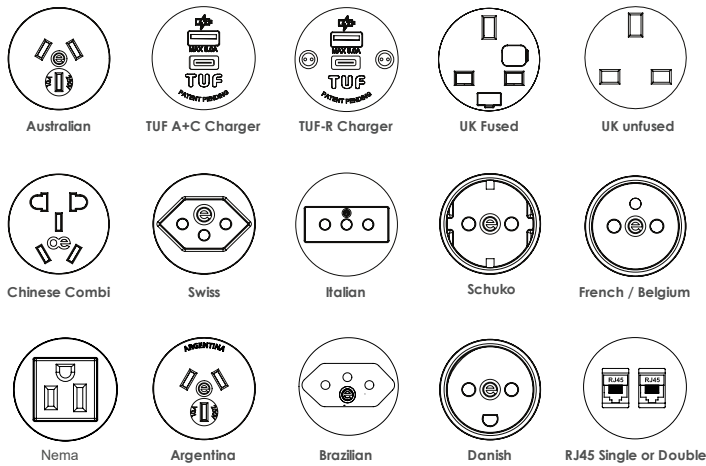
Compact, robust and unconstrained by convention, you will find PHASE with its innovative concealed mounting bracket and through back or through base cable entry options, simple to securely install on or under desks, tables and soft furnishings.

PHASE is available in either white or black with your choice of grey or black socket fascias. The two socket apertures can be configured with a combination of power, TUF USB fast charging or data sockets.



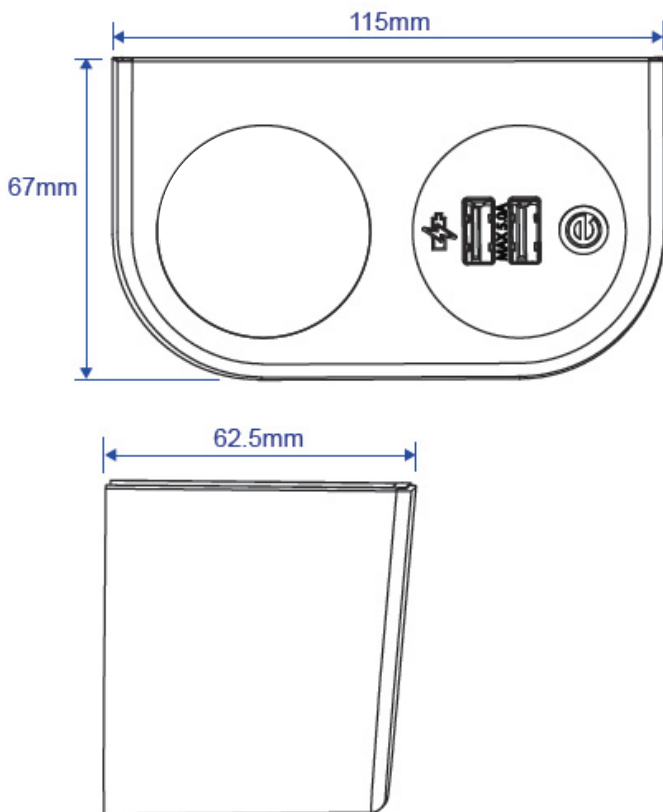
- Stylish, compact & robust design
- On or Under fitting solutions
- Hidden fitting bracket
- TUF USB A+C charger option
- Available in black or white
- International power options

## Common Modular Components\*



Other components are available. Please see online for details

## Unit Dimensions



## Features

### Configuration:

The PHASE double socket apertures may be configured with our class leading TUF A+C Twin USB fast charger or an AC power socket from the OE Elsafe range. PHASE can also be configured with data and/or AV sockets. Through back or through base power and data cable entry options.

### Construction:

PHASE comprises high-strength and flame retardant polycarbonate main body and back mouldings, plus a nylon slide-on/clip-on universal mounting bracket. OE Elsafe snap-in "42mm" modular power socket/TUF fascias are moulded from polycarbonate. PHASE can also be supplied with custom metal fixings, e.g. to attach to steel sections in soft furnishings.

### Colours:

- Body - black or white
- Power socket fascia - black or grey
- TUF fascia - black or grey
- Data/AV fascia - black or grey
- Power cable - black or white

### Quality and Testing:

All PHASE units are manufactured using quality controlled components and practices and are 100% tested before dispatch

- Visual: Configuration and appearance
- Power sockets: Continuity, polarity, insulation & earth
- USB charger: Output voltage and resistance
- Data & AV: All sockets continuity tested with batch performance testing

"we test every pin in every socket in every module".

### Soft Wiring (power):

Hardwired to either a mains AC plug, or a male Wieland GST connector for "soft wiring" e.g. connection to an under desk power module or direct to a floor socket via a starter cable.

**Certified to** AS/NZS 60950-1 and EN61204-3/CISPR22