



White (9003) with Inclined Frame and Grey (7004) fascias

PANDORA is an elegant solution from OE Elsafe, providing power and USB fast charging in work or public spaces. Fitting neatly into an industry standard 5" (128mm) grommet hole with a near flush profile when closed. PANDORA rotates open to provide 360° access to power and charging.

Great looks, simple installation and a choice of international socket options plus of course our class leading TUF A+C USB fast charger, makes PANDORA perfectly suited to desks, meeting tables, informal break out areas, cafes, hotels and public spaces.

PANDORA is moulded in either white (9003) or black PC/ABS for both excellent durability and appearance. As an alternative to the standard textured finish, the clean profile of PANDORA when not in use can be enhanced by optional brushed stainless steel inlays.

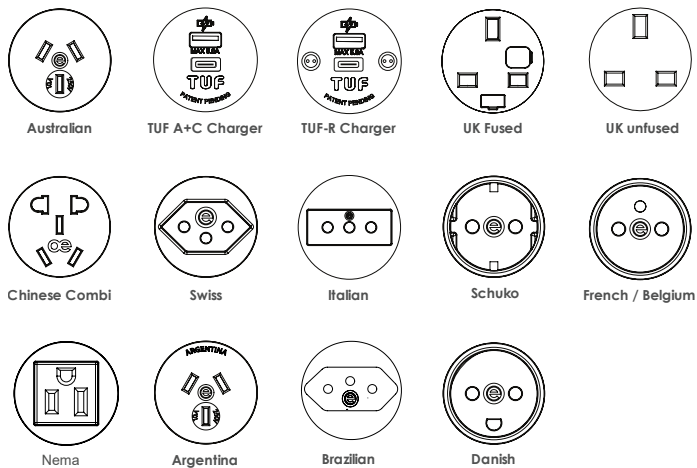
All Black with Inlay Frame, including optional Stainless Steel Trim

USPs

- Rotates to open/close
- TUF5A option
- 360° socket access
- Optional decorative inlays
- Standard 5" grommet fit



Common Modular Components*

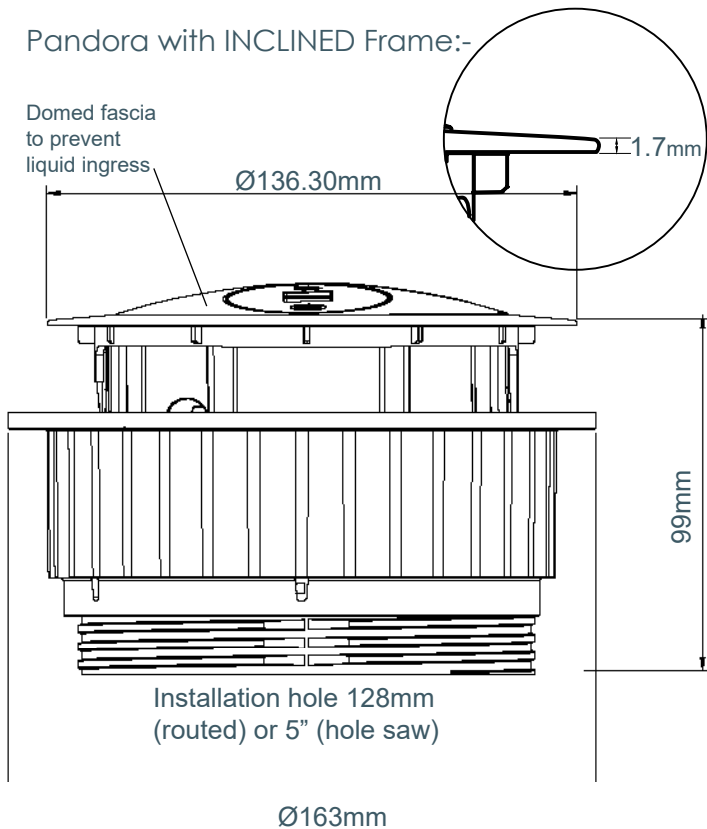


Power-cord options:

The Pandora power cord may be hard-wired to a Wieland GST male installation coupler, an OE Elsafe J-coupler for soft wired cascading or the appropriate mains AC plug for the socket type fitted or a J Coupler for connecting two or more PANDORA units to a single mains supply socket.

Unit Dimensions

Pandora with INCLINED Frame:-



Features

Configuration

PANDORA's three socket apertures can be configured with any combination of AC power sockets from the OE Elsafe 42mm international range and the class leading TUF5A USB fast charger. PANDORA is not designed to be fitted with data and AV cables.

Construction

Body and grommet moulded in fire retardant PC/ABS. Nylon securing nut.

Colour

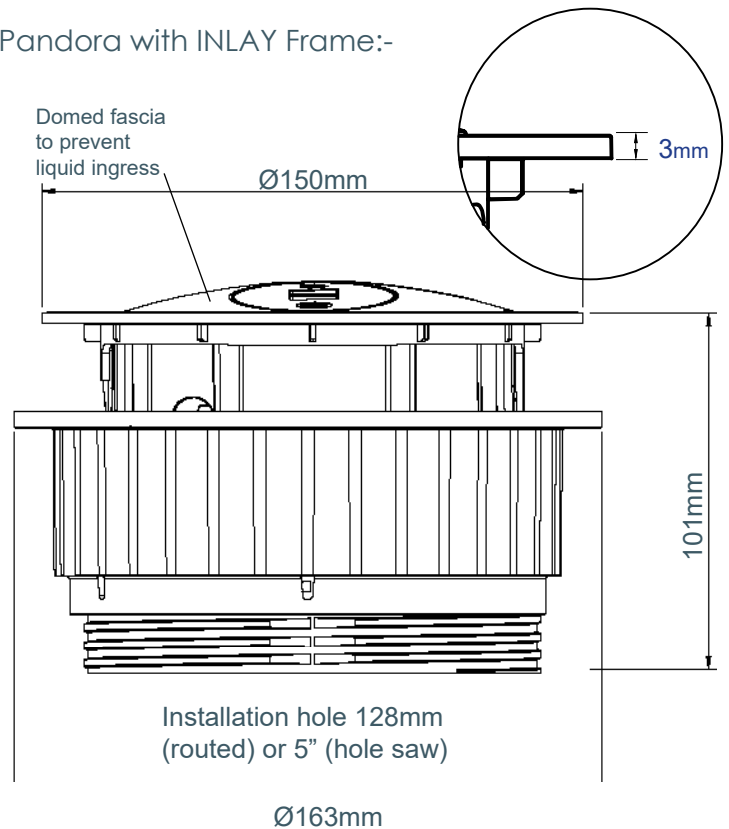
White (9003) body with grey socket fascias, and optional colour inlays, or black body with black socket fascias, and optional brushed stainless steel inlays.

Quality and testing

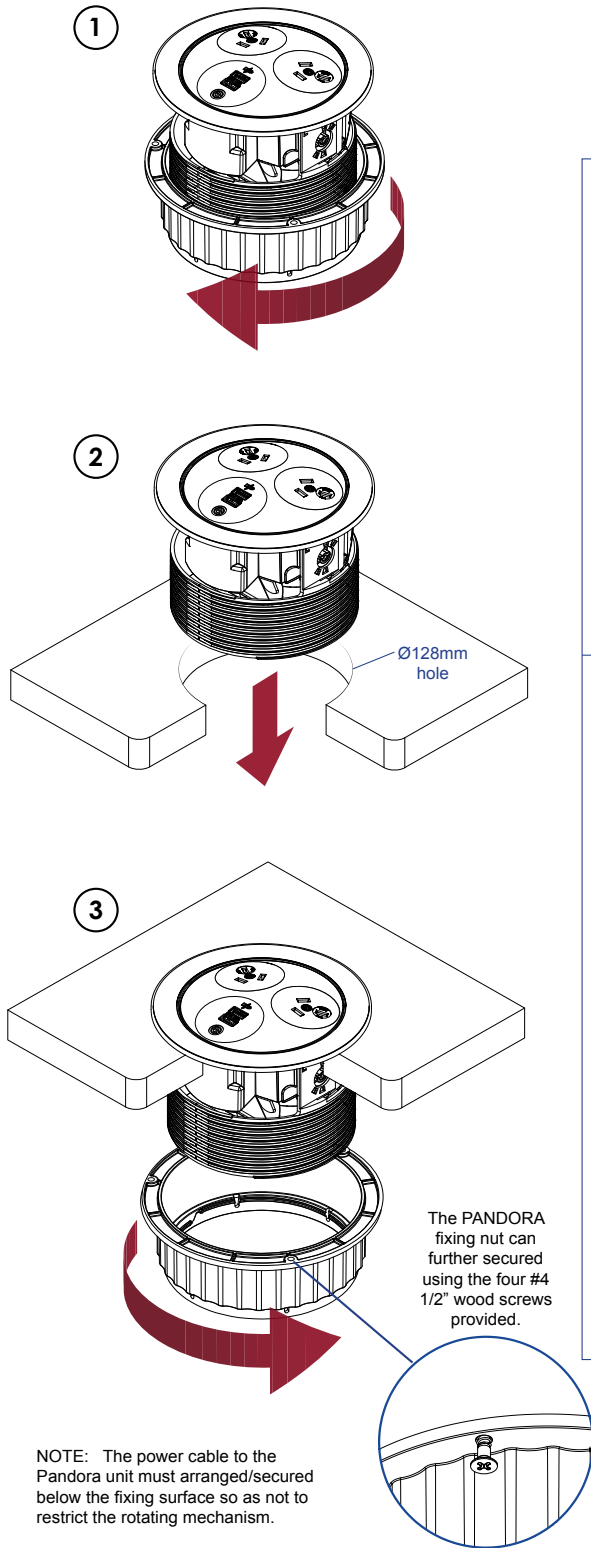
All PANDORA units are 100% tested before dispatch.

- Visual: Configuration and appearance.
- Mechanical: correct operation of rotating mechanism.
- Power sockets: Continuity, polarity, insulation & earth
- USB charger: Output voltage and resistance

Pandora with INLAY Frame:-



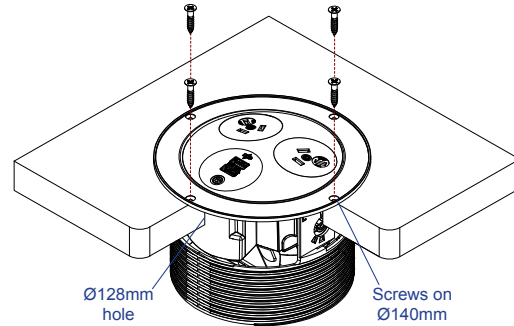
pandora FITTING



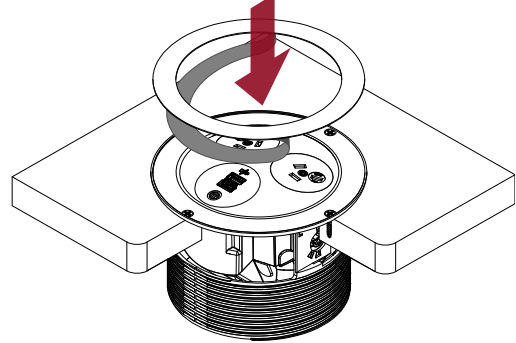
1. Unscrew and remove the locking ring from the PANDORA unit.
2. Place PANDORA into a Ø128mm hole.
3. Screw the locking ring onto PANDORA until the unit is secure in the surface.

Fitting PANDORA with screws

PANDORA with the inlay type grommet can be fixed to a surface via four screws without rear access being needed. The inlays will then cover the screw heads.

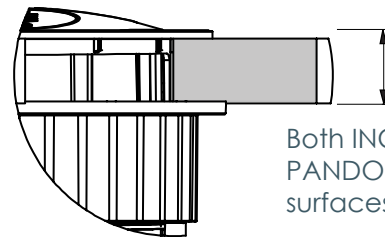
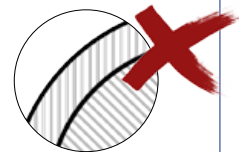
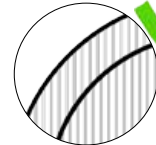


Fitting outer inlay



To fit the outer inlay, remove the VHB tape cover, align with the outer grommet, and then press down firmly.

When fitting a brushed stainless steel outer inlay, ensure that the grain follows the direction of the grain on the inner inlay.



Both INCLINED and INLAY PANDORA are suitable for surfaces up to 42mm thick

PANDORA drops into a 128mm* grommet hole and is then secured by tightening the securing nut by hand. No tools are needed once the grommet hole is cut, however access below/behind the fixing surface is required. Alternatively, a PANDORA with the inlay type grommet can be fixed to a surface using four screws, no rear access is required for this fixing method. The inlays will then cover the screw heads.

***A 5" (127mm) hole saw will usually achieve a 128mm hole. If the hole is to be CNC machined, please cut a 128mm hole.**

For both fitting methods, it is recommended that the cable to the rear of the panel, next to PANDORA's hinge, is secured using the accompanying Cable Cleat, to prevent drag on the hinge mechanism.

The Pandora power cord may be hard-wired to a Wieland GST male installation coupler, an OE Elsafe J-coupler for soft wired cascading or the appropriate mains AC plug for the socket type fitted.