



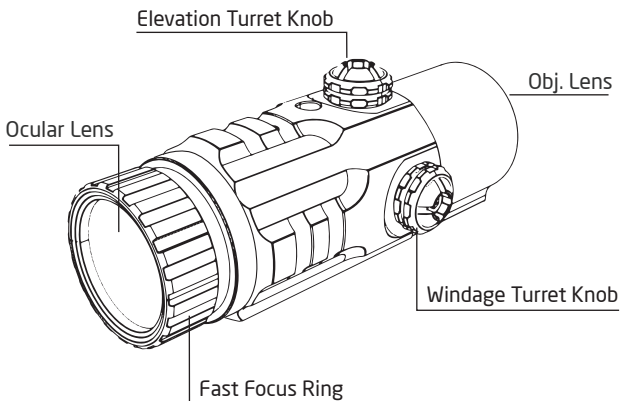
# MAGNIFIER

USER MANUAL  
AND CARE INSTRUCTIONS



## Table of Content:

1. Mounting the Magnifier
  - a) Eye Relief
  - b) Setting Windage and elevation
  - c) Magnification
  - d) Focusing
2. Maintaining the Magnifier
3. Troubleshooting



---

*Congratulations on purchasing an Athlon Magnifier. Athlon is the ancient Greek word for "Prize" or "Medal." We think that with the purchase of your Athlon product you have won the best "prize" on the market today. Great Quality while still being a great value.*

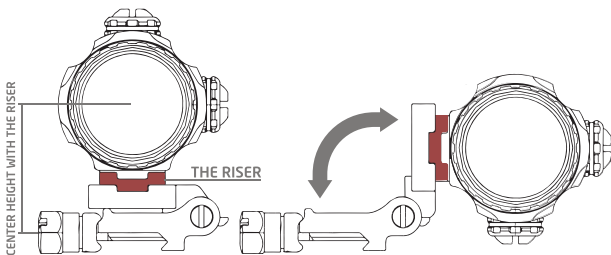
## 1. Mounting Your Athlon Magnifier

**CAUTION: BEFORE MOUNTING A SIGHTING DEVICE BE SURE THAT THE FIREARM IS NOT LOADED, HAS ACTION OPEN AND THE MUZZLE POINTING IN A SAFE DIRECTION. SAFE FIREARM HANDLING PROCEDURES NEED TO BE PRACTICED AT ALL TIMES.**

To achieve the best performance from your firearm and your Athlon Magnifier, your magnifier must be mounted properly. If you are unfamiliar with proper procedures to mount a sighting device, we highly recommend having the magnifier mounted by a qualified gunsmith

Your Athlon Magnifier comes with a flip mount\* that works with most of standard picatinny rails. After you mounted your red dot sights or prism scopes you can simply mount the magnifier right behind your primary sighting device. When you need the magnification just simple pulling the magnifier towards to you and flip it to left side and put it in alignment with your red dot sights or prism

scopes. When you are done with it, you can just pull it towards to you again and flip it to right side off the center top of your rifle. Please see the picture for demonstration!



Please refer to below table for the center height of the magnifiers

Magnifier Model	Center Height
MG31 ( standard flip mount)	1.32 inches
MG31 ( standard flip mount with riser)	1.56 inches
MG51 ( standard flip mount)	1.32 inches
MG51 ( standard flip mount with riser)	1.56 inches

\* Flip mount and riser come with your magnifier as standard package.

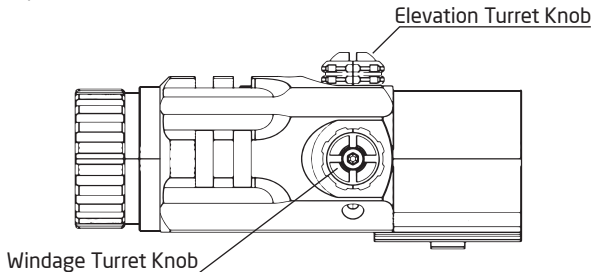
\*When you need higher center height, just dismount the flip mount from the magnifier and then set and secure the riser between the magnifier and the flip mount by using the screws come with the flip mount.

## a) Eye Relief

Both MG31 and MG51 models have 2.8 inches eye relief.

## b) Setting Windage and Elevation

Athlon Magnifiers have an exposed windage and elevation turret knob. After you aligned your magnifier with your primary sight up front, you can adjust the windage and elevation knob by a wrench or a coin while looking through the magnifier till you see a full field of view captured by your primary sight, a red dot or a prism scope.

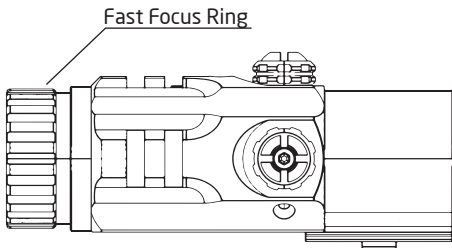


## c) Magnification

Athlon MG31 magnifier has 3x magnification and Athlon MG51 magnifier has 5x magnification.

## d) Focusing

Athlon Magnifier has a fast focus ring at the end of eye piece. Just twist the fast focus ring to the point where you can see the reticle of your primary sight clear.



## 3. Maintaining your Magnifier

- a) Disassembling or cleaning the scope internally will void the warranty. If the scope requires repairs, please refer to the warranty section for complete instructions.
  
- b) The external optical surfaces should occasionally be wiped clean. Use the lens cloth provided or an optical quality lens paper to wipe out dust or dirt on the external lens surface. If large sand particles or heavy dirt contamination is observed, remove using soft brush or by blowing them away. Apply lens

---

cleaning liquid before wiping off. Always keep the protective lens covers in place when the scope is not in use to avoid dust collecting on the surface of the lenses. Store the unit in a low-humidity environment.

#### 4. Troubleshooting Tips - Inaccuracy Issues

- a) Check scope mounting and make sure there is no movement when pulling the scope by hands. Tighten the mounts if there is any movement observed.
- b) Use a bench rest or sandbag to support the barrel and stock when making windage and elevation adjustments. This will help eliminate movement.
- c) It is recommended using the same type of ammunition with same weight.
- d) Check your rifle stock, as a loose stock changes the point of impact.
- e) Make sure your rifle chamber and barrel are clean
- f) Make sure rifling of the barrel is not damaged and no excessive grease inside the barrel
- g) For any technical related questions, please contact Athlon Optics at [contact@athlonoptics.com](mailto:contact@athlonoptics.com) or call toll free 1-855-913-5678

## THE ATHLON GOLD MEDAL LIFETIME WARRANTY\*

YOUR ATHLON PRODUCT IS NOT ONLY WARRANTED TO BE FREE OF DEFECTS IN MATERIALS AND WORKMANSHIP FOR THE LIFETIME OF THE PRODUCT, BUT ATHLON WILL ALSO REPAIR OR REPLACE, AT NO CHARGE TO YOU, YOUR PRODUCT IF YOU SHOULD DAMAGE IT THROUGH NORMAL USE. NO RECEIPT IS NEEDED, NO REGISTRATION IS REQUIRED. THIS IS A COMMITMENT THAT ATHLON OPTICS WILL BE THE BEST PRODUCT YOU CAN BUY FOR YOUR MONEY.

\*THIS WARRANTY DOES NOT COVER DAMAGES CAUSED BY DELIBERATE DAMAGE, MISUSE, THEFT OR MAINTENANCE PROVIDED BY SOMEONE OTHER THAN THE ATHLON AUTHORIZED SERVICE DEPARTMENT.



TOLL FREE: 1-855-913-5678



CONTACT@ATHLONOPTICS.COM



14308 W 96TH TERRACE LENEXA, KS 66215