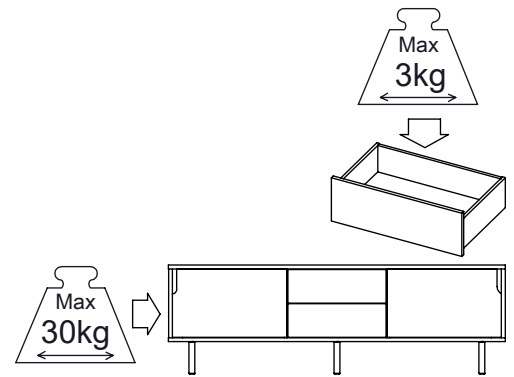
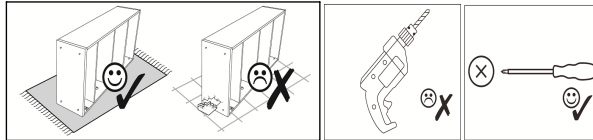

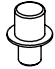




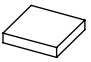
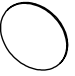

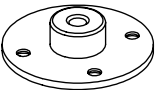

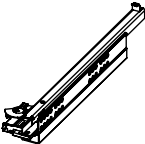
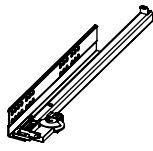





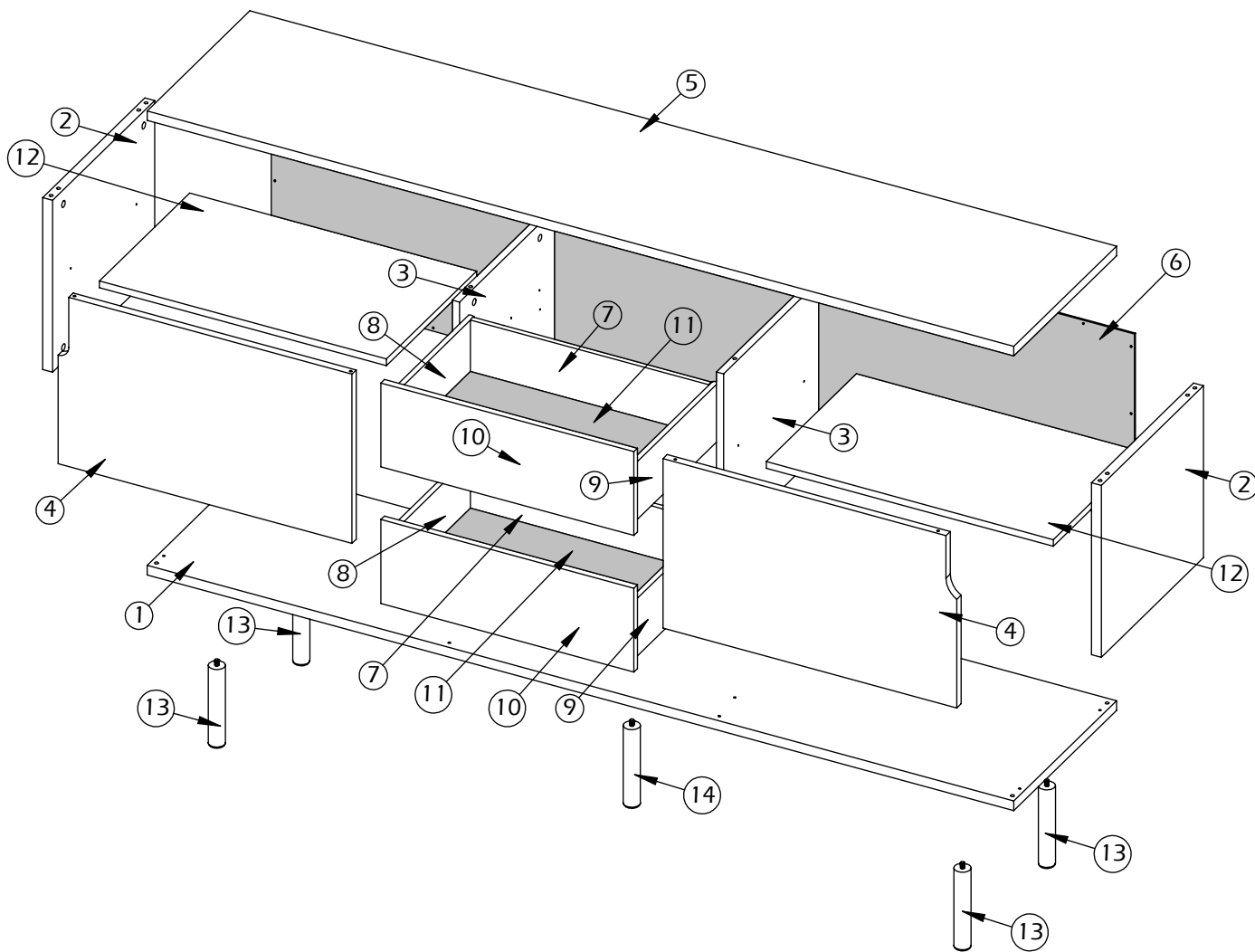
TEMAHOME

7200.649/462/586

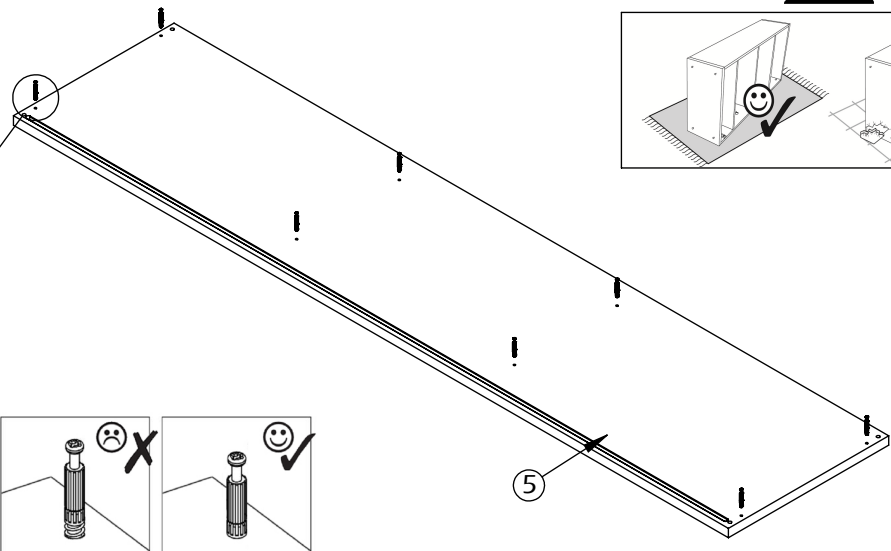
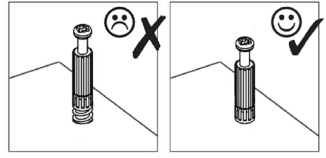
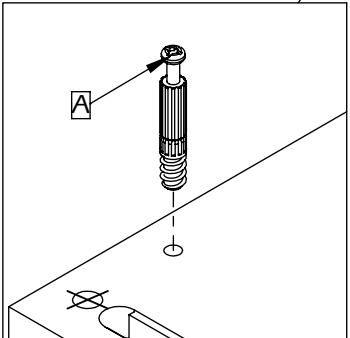
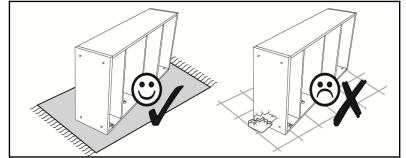
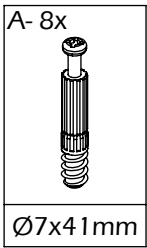


<p>A - 16x</p>  <p>Ø7x41mm 0512.041</p>	<p>B - 6x</p>  <p>Ø12x16mm 0520.182</p>	<p>C - 16x</p>  <p>Ø15x13mm 0512.042</p>	<p>D - 8x</p>  <p>Ø8x35mm 0540.003</p>	<p>E - 8x</p>  <p>Ø6,5x16mm 0900.174</p>	<p>F - 8x</p>  <p>Ø10x2mm 0520.102</p>	<p>G - 4x</p>  <p>16x16x3mm 0992.009</p>	<p>H - 16x</p>  <p>Ø20x0,5mm 0520.009/172</p>
<p>I - 22x</p>  <p>Ø3x16mm 0512.116</p>	<p>J - 5x</p>  <p>Ø60x14mm 0513.035</p>	<p>K - 28x</p>  <p>Ø4x16mm 0512.024</p>	<p>L - 2x</p>  <p>35x7x4mm 0519.001</p>	<p>M - 2x</p>  <p>35x7x4mm 0519.002</p>	<p>N - 16x</p>  <p>Ø7x31mm 0512.141</p>	<p>O - 16x</p>  <p>Ø12x10mm 0512.140</p>	<p>P - 1x</p>  <p>16x17x21mm 0520.031</p>

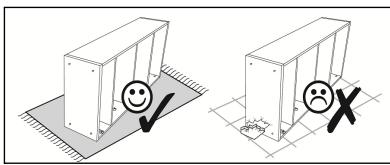
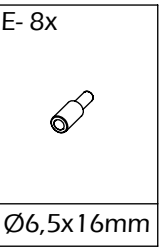
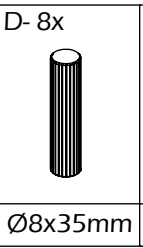
IM-0623.924/3



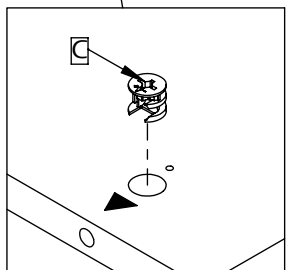
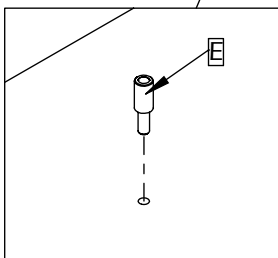
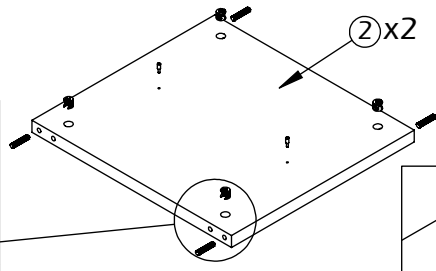
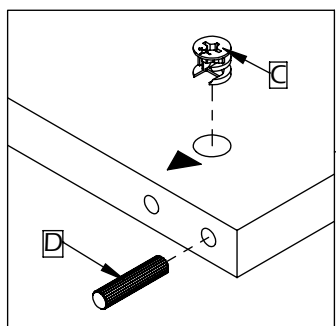
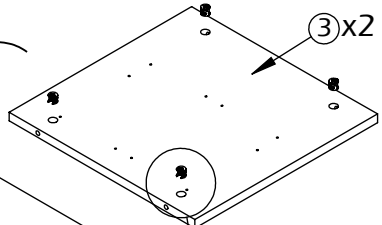
1



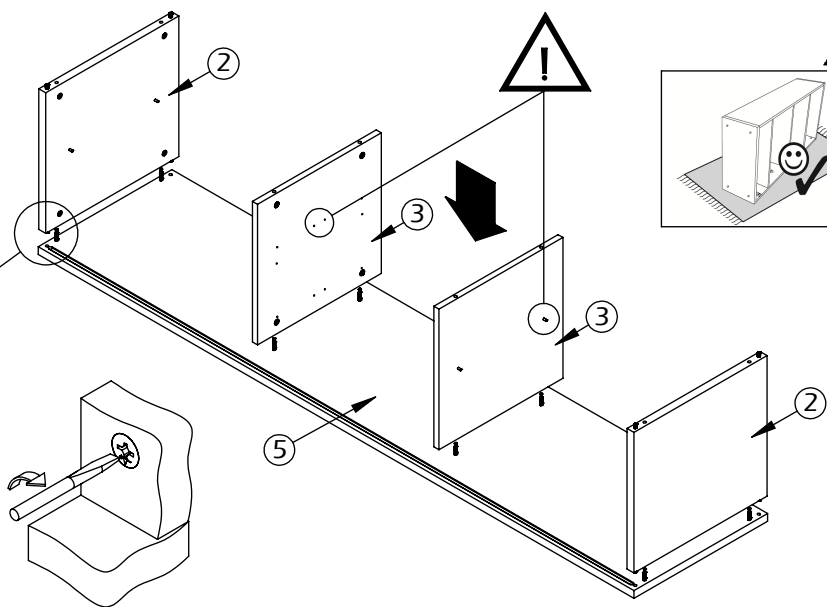
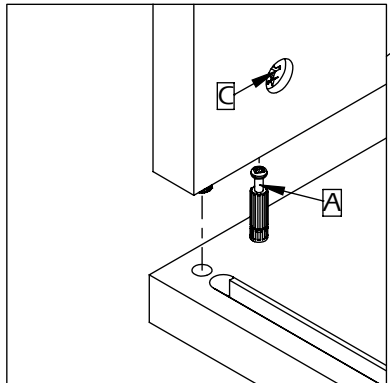
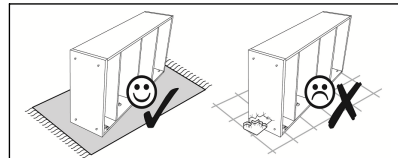
2



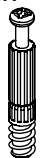
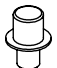


180°

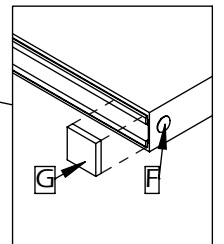
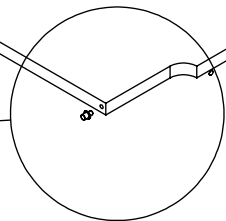
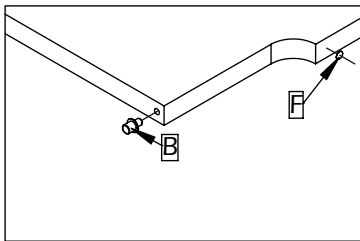
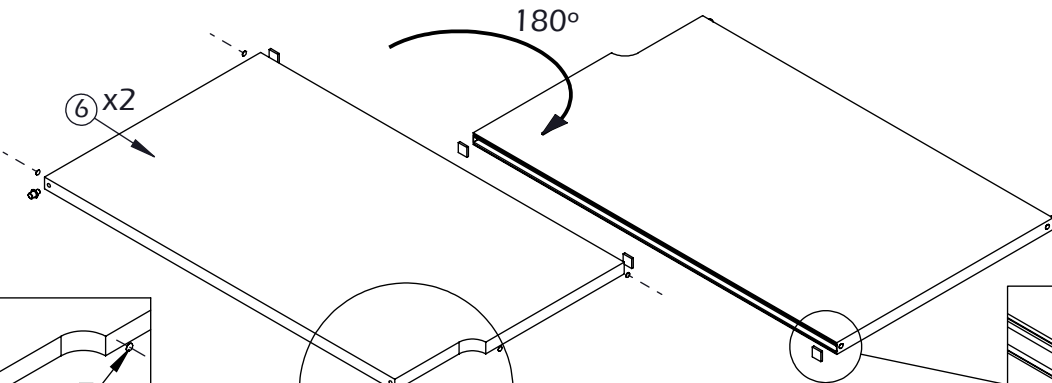
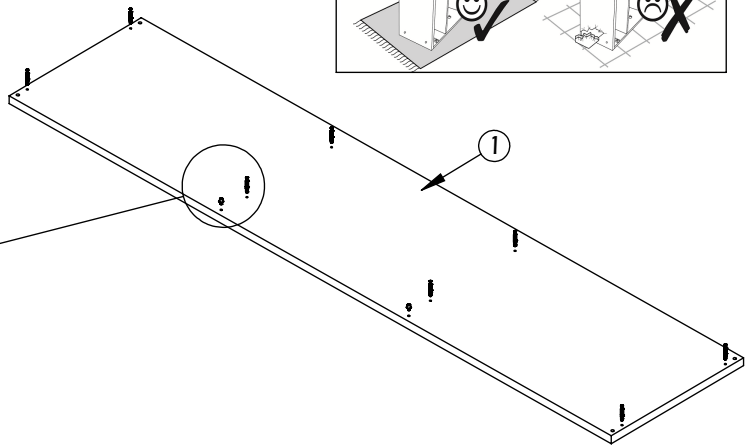
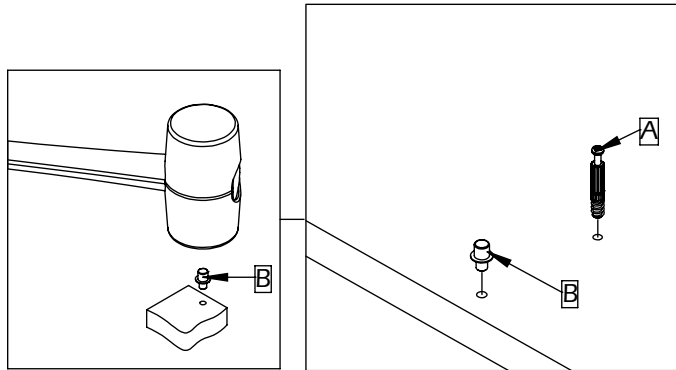
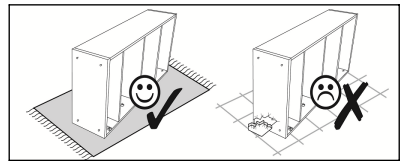


3

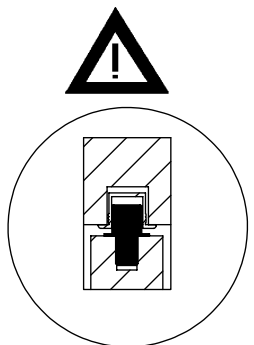
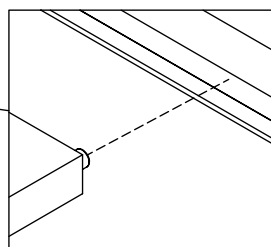
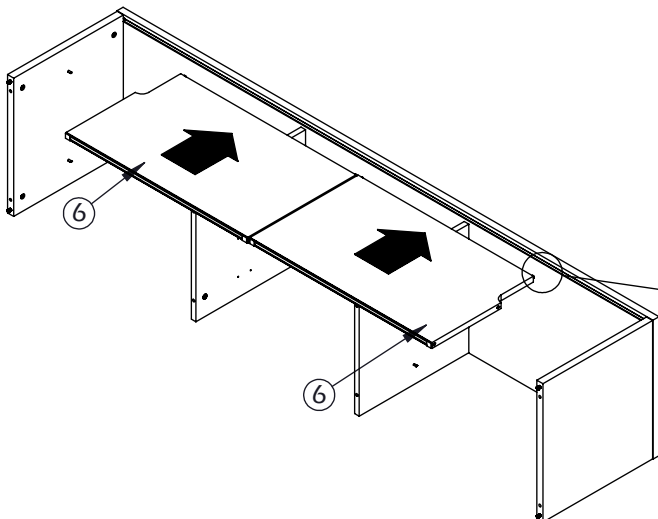
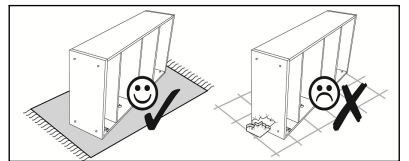
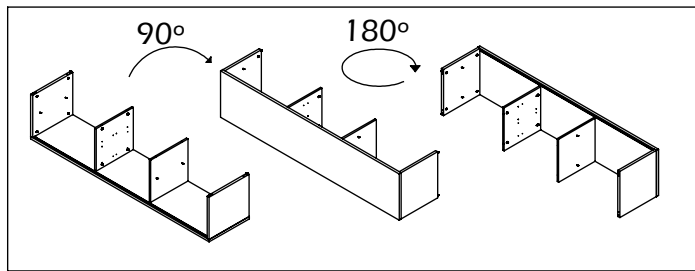


4

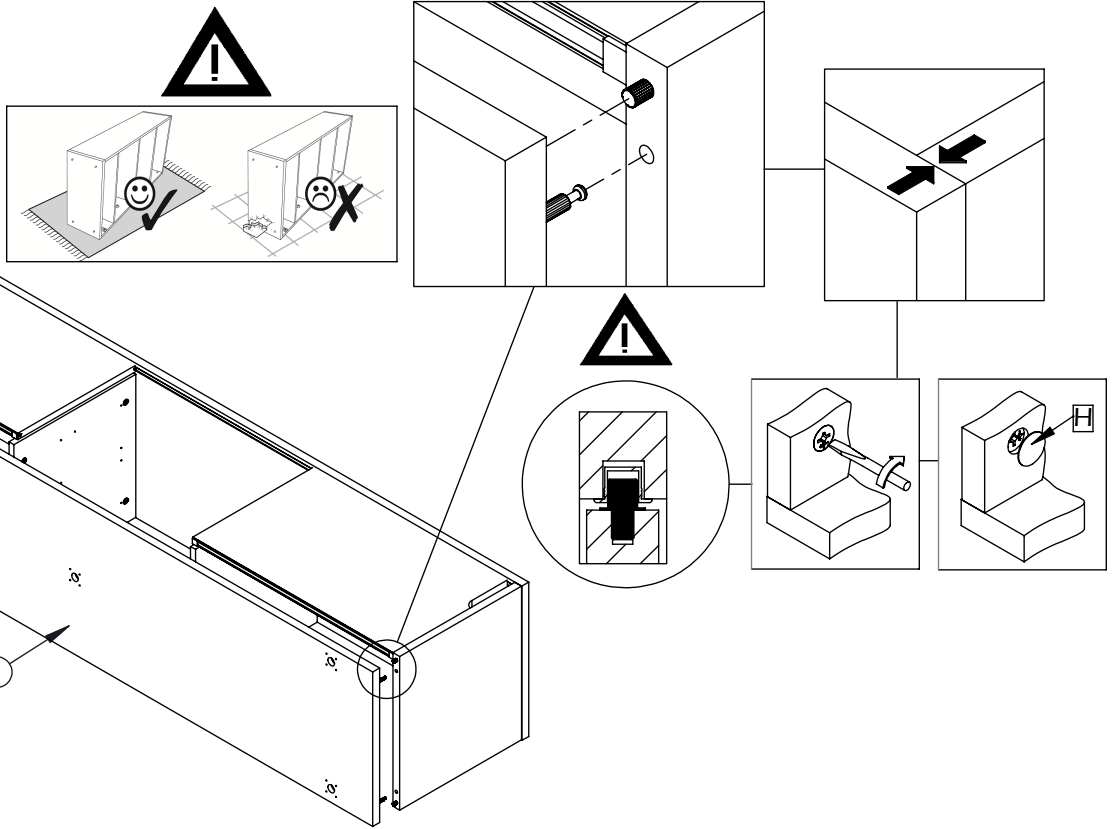
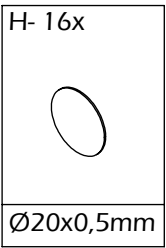
A- 8x 	B- 6x 	F- 8x 	G- 4x 
Ø7x41mm	Ø12x16mm	Ø10x0,3mm	16x16x3mm



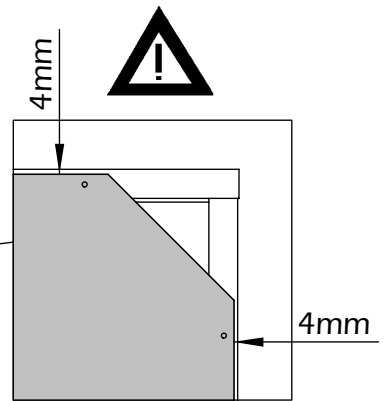
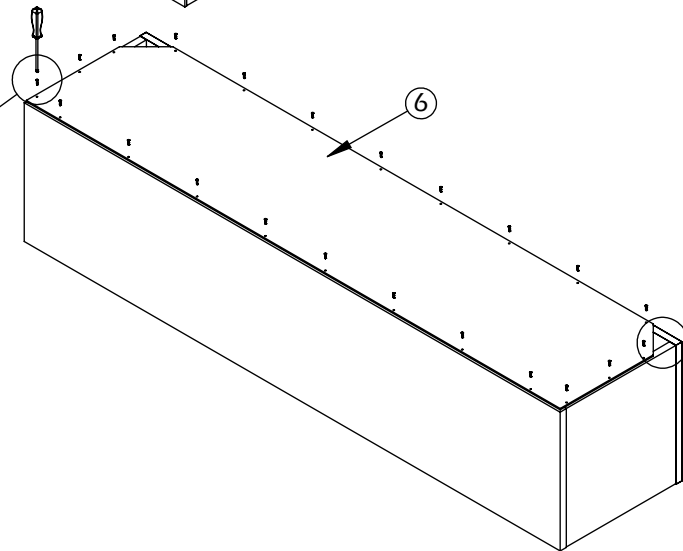
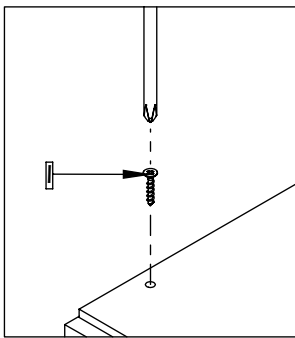
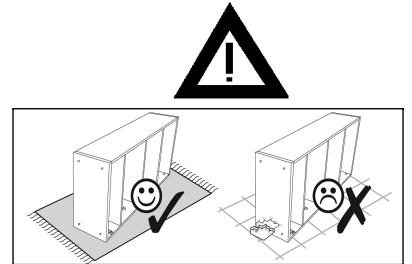
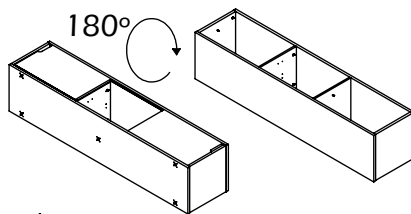
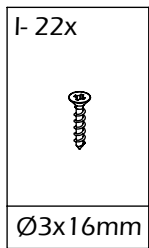
5



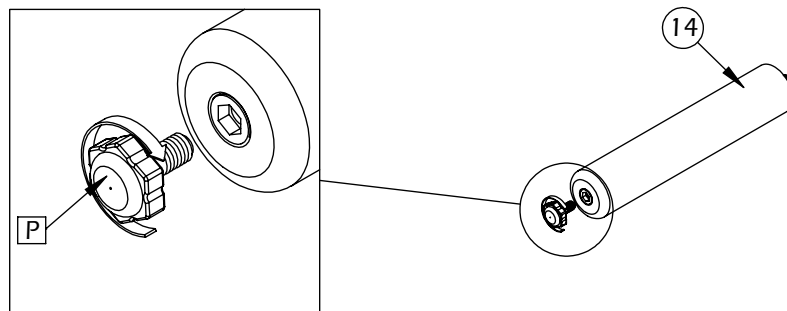
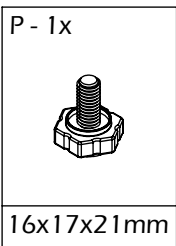
6



7



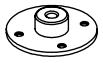
8



9

J- 5x

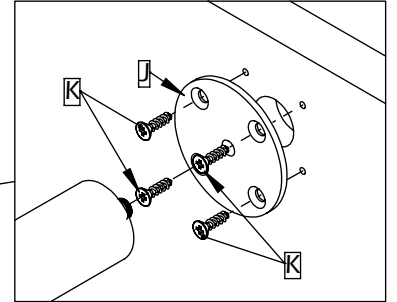
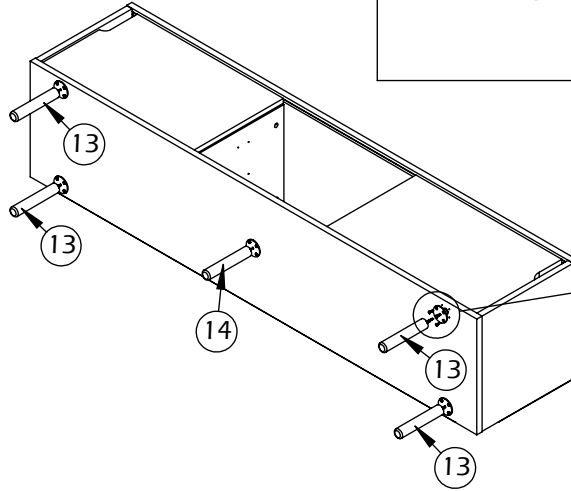
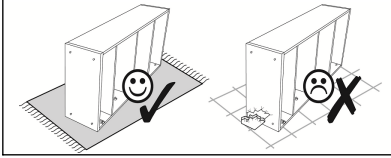
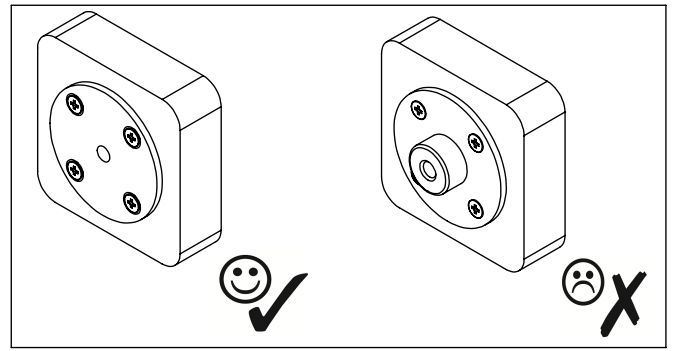
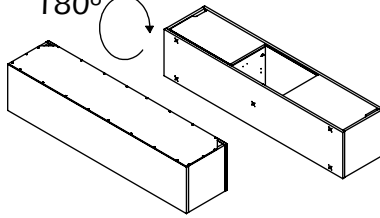
K- 20x



Ø6x1,4mm

Ø4x16mm

180°

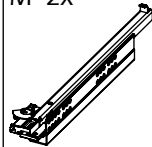
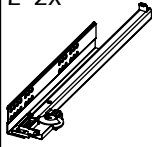


10

K- 8x

L- 2x

M- 2x

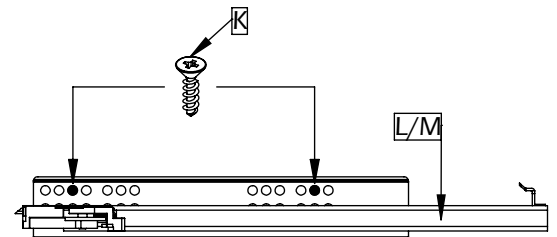
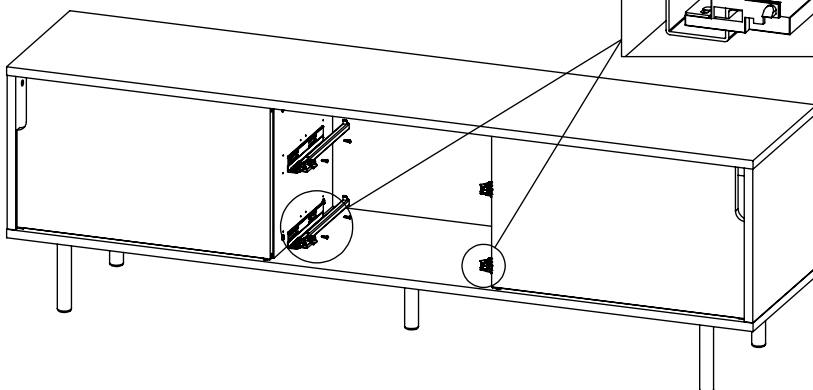
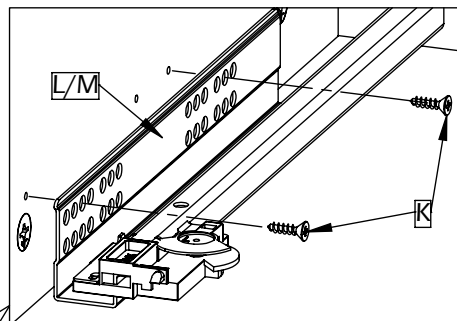
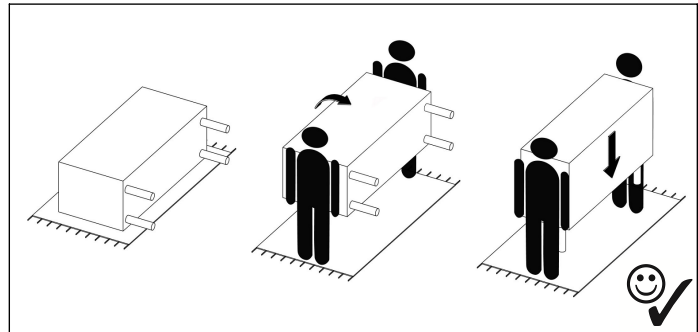
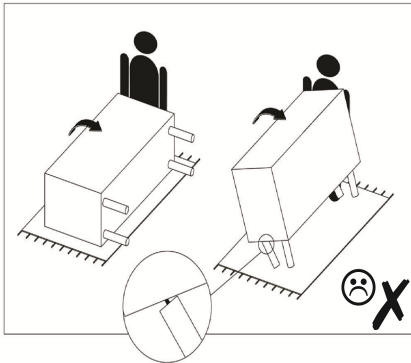
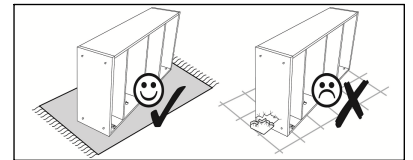
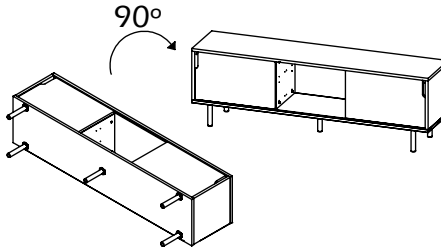


Ø4x16mm



35x7x4mm

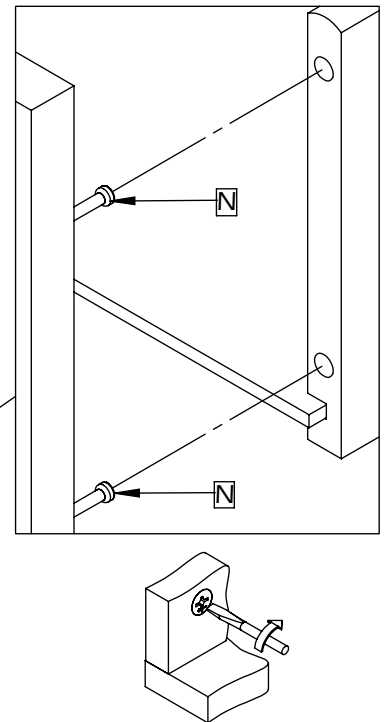
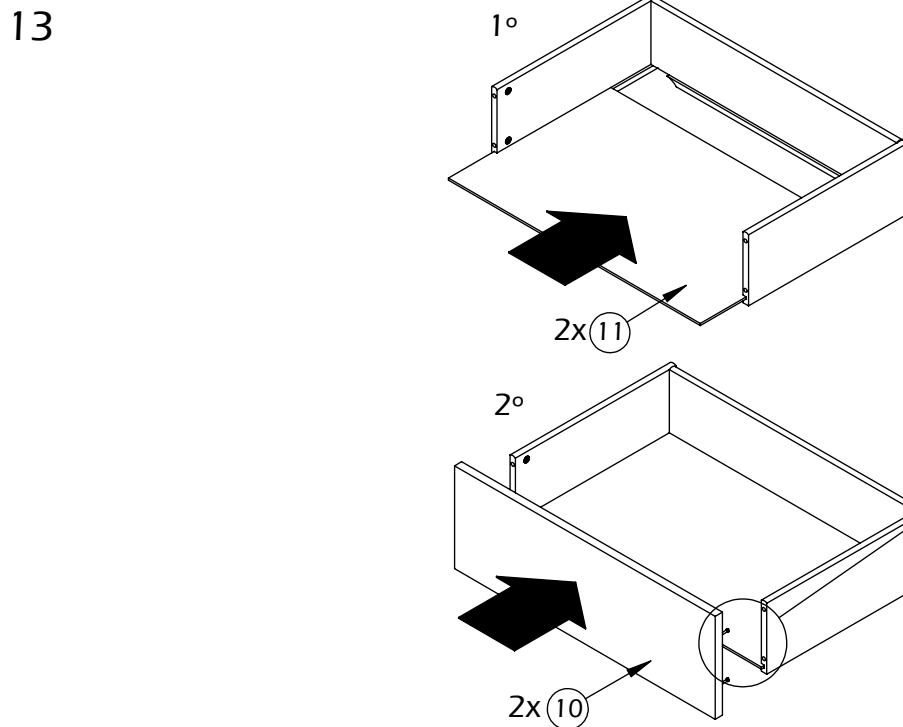
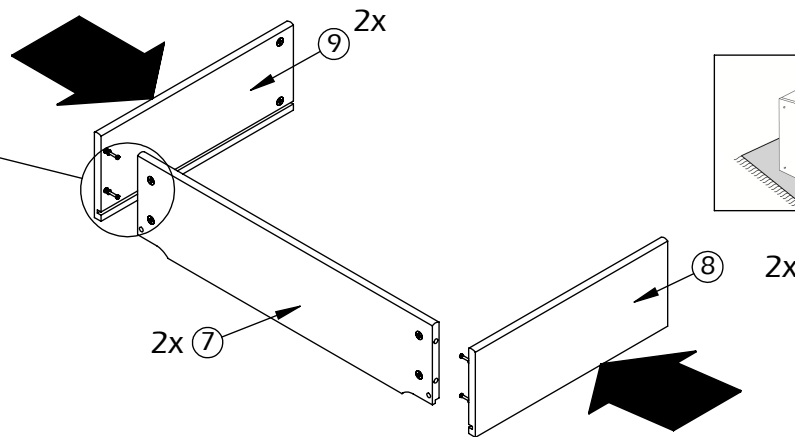
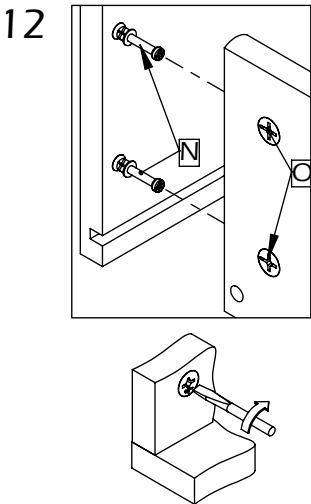
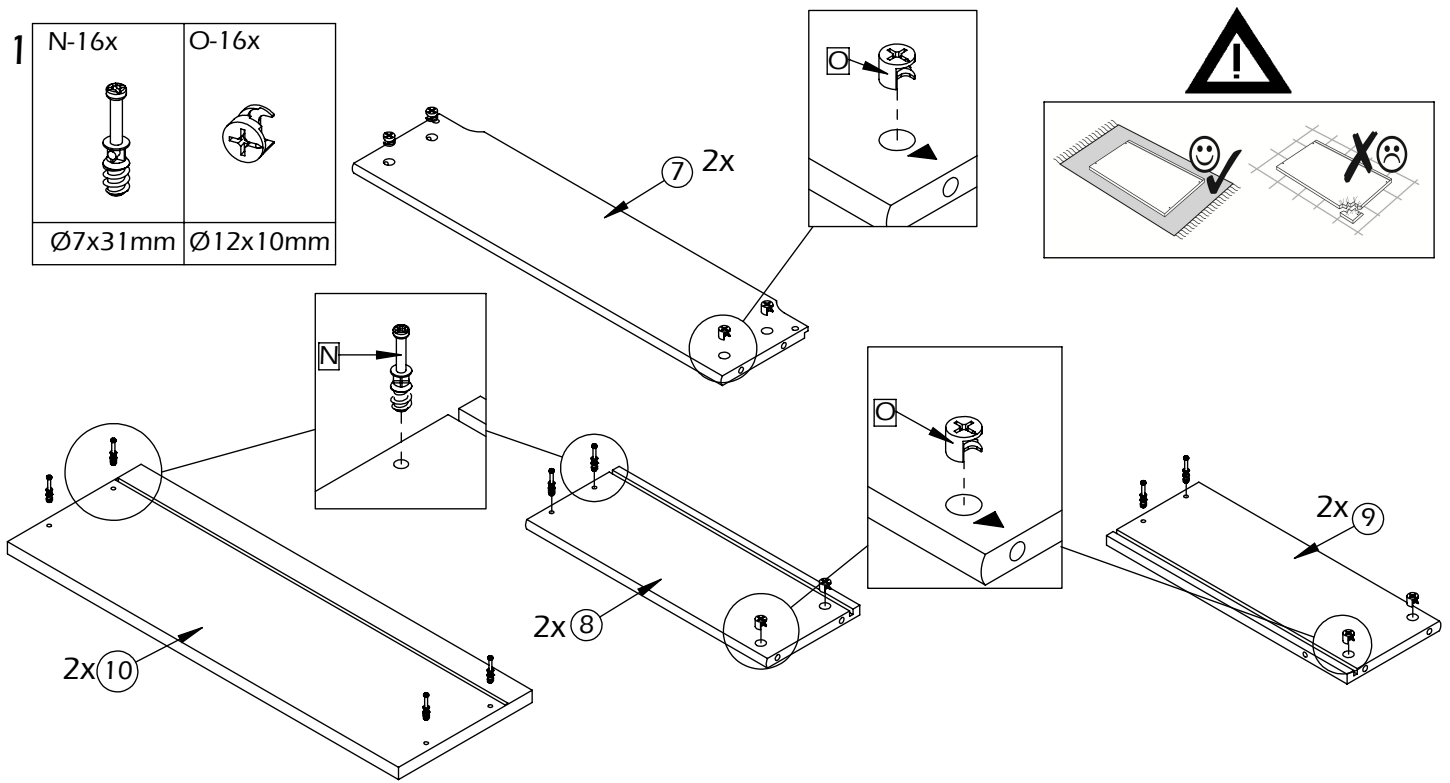
35x7x4mm

90°

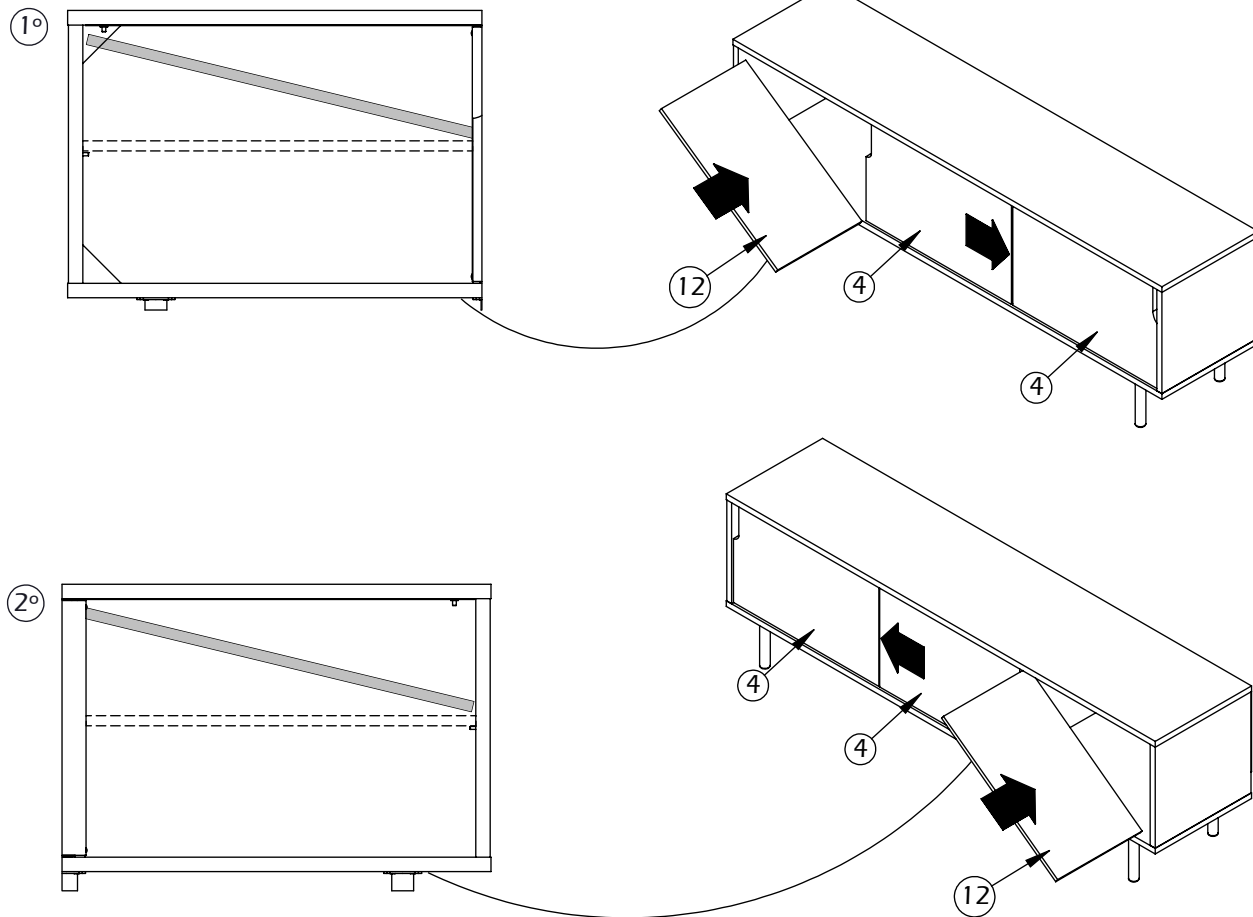


11

N-16x 	O-16x 
Ø7x31mm	Ø12x10mm



14



15

