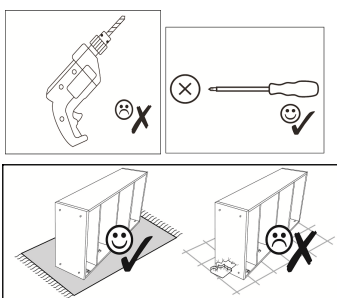







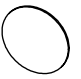



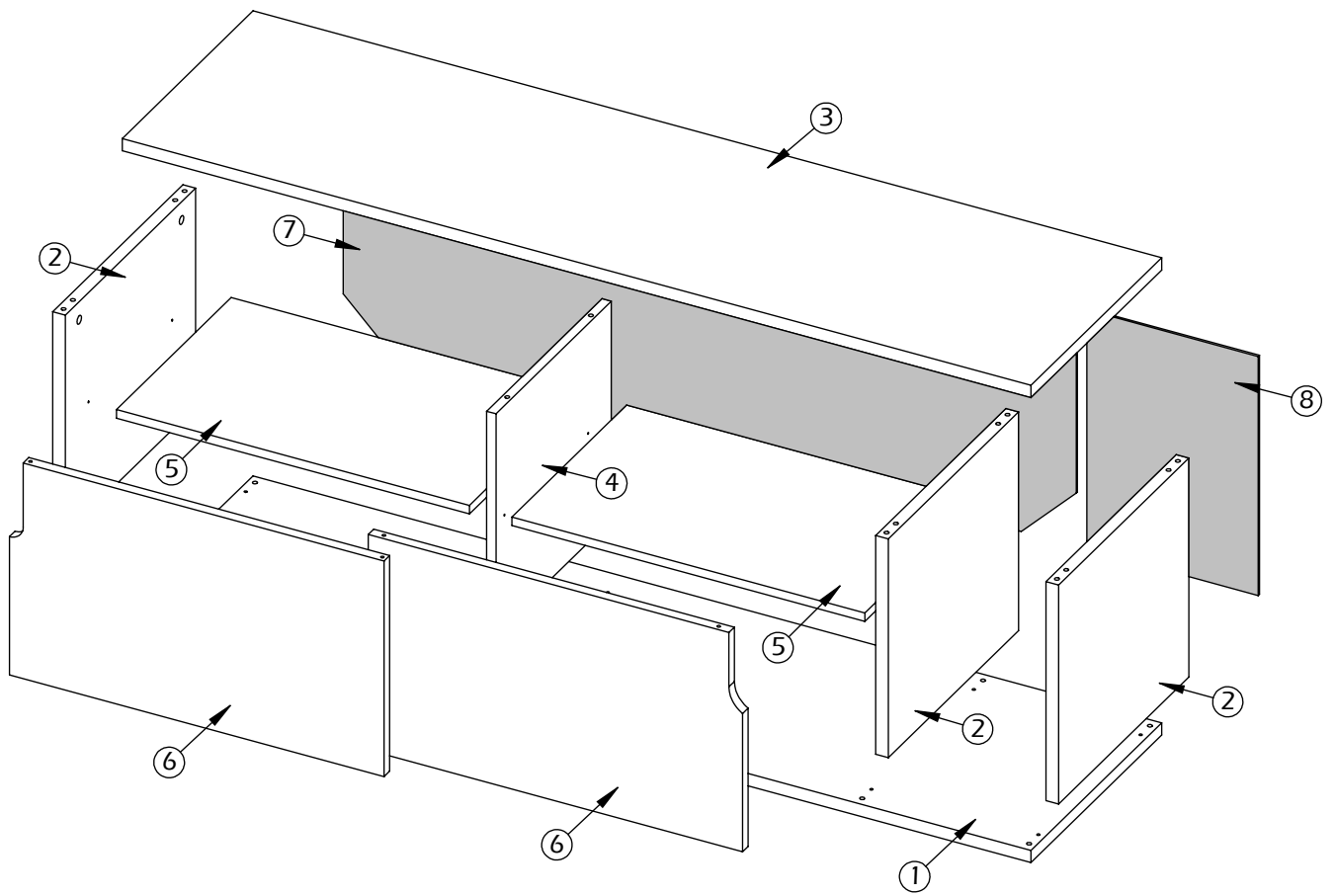


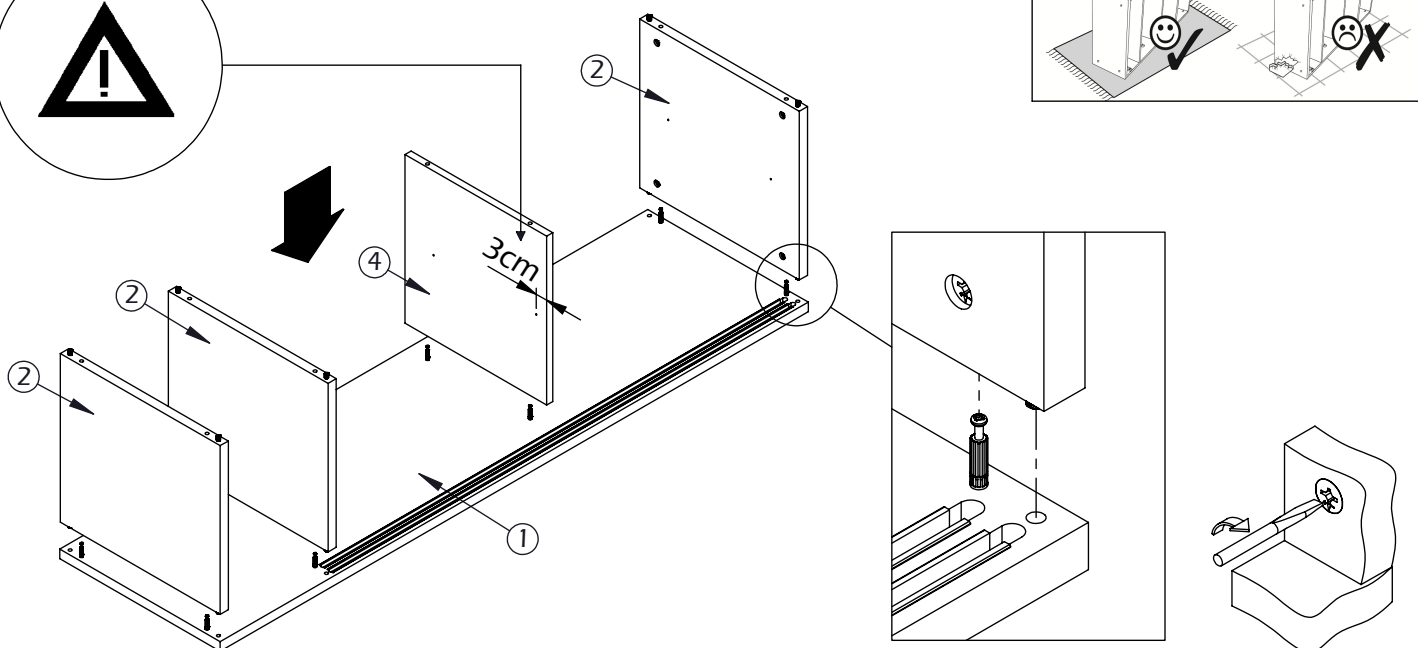
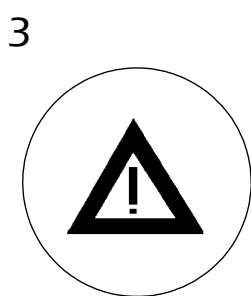
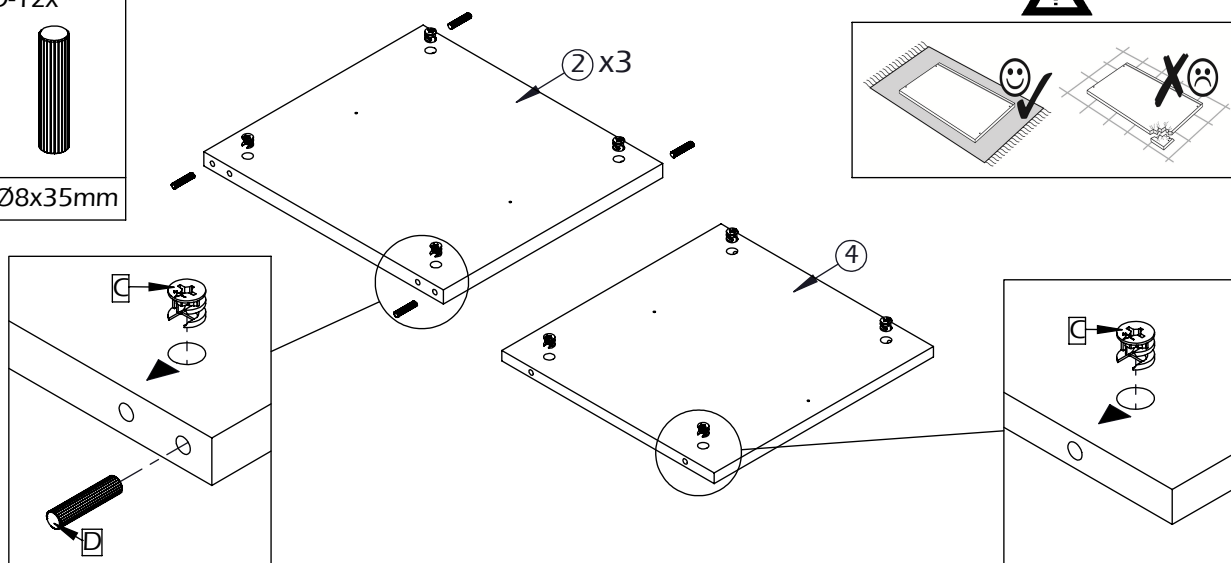
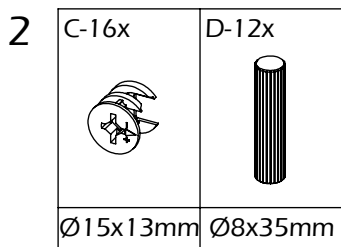
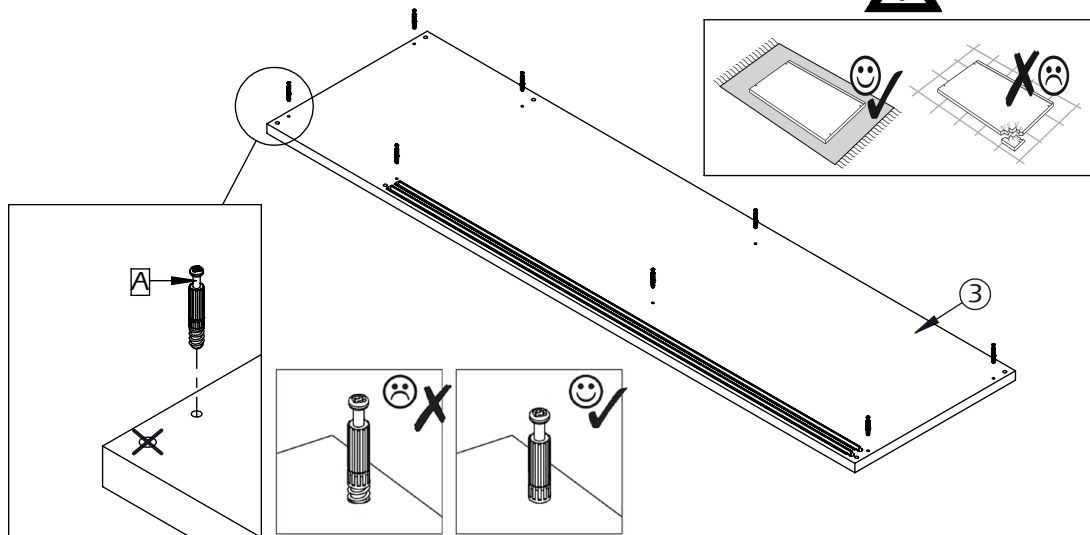
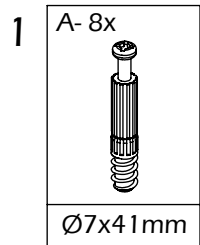

TEMAHOME

7200.543/468/356

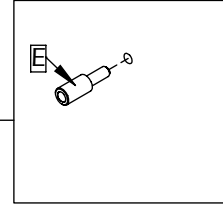
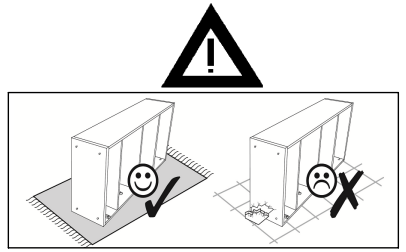
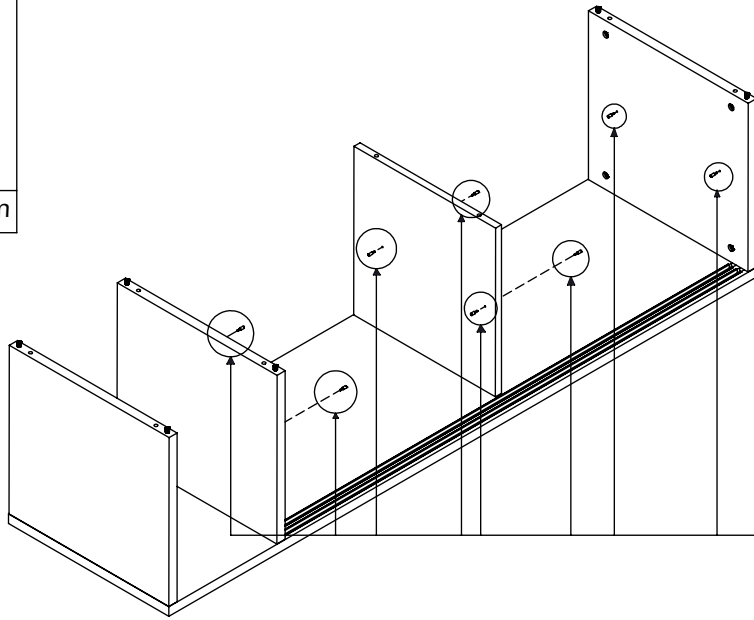
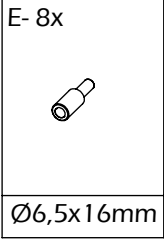


			 A - 16x Ø7x41mm 0512.041			 B - 6x Ø12x16mm 0520.182			 C - 16x Ø15x13mm 0512.042														
 D - 12x Ø8x35mm 0540.003			 E - 8x Ø6,5x16mm 0900.174			 F - 8x Ø10x2mm 0520.102			 G - 4x 16x16x3mm 0992.009			 H - 16x Ø20x0,5mm 0520.009/ 172			 I - 14x Ø4x29mm 0513.001			 J - 2x 20x14x3,5mm 0513.030			 K - 2x Ø3x16mm 0512.116		

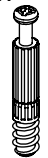
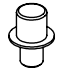




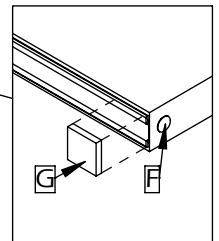
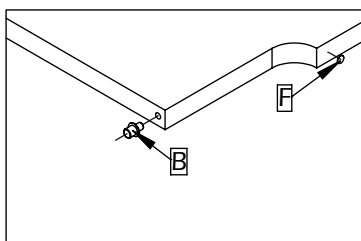
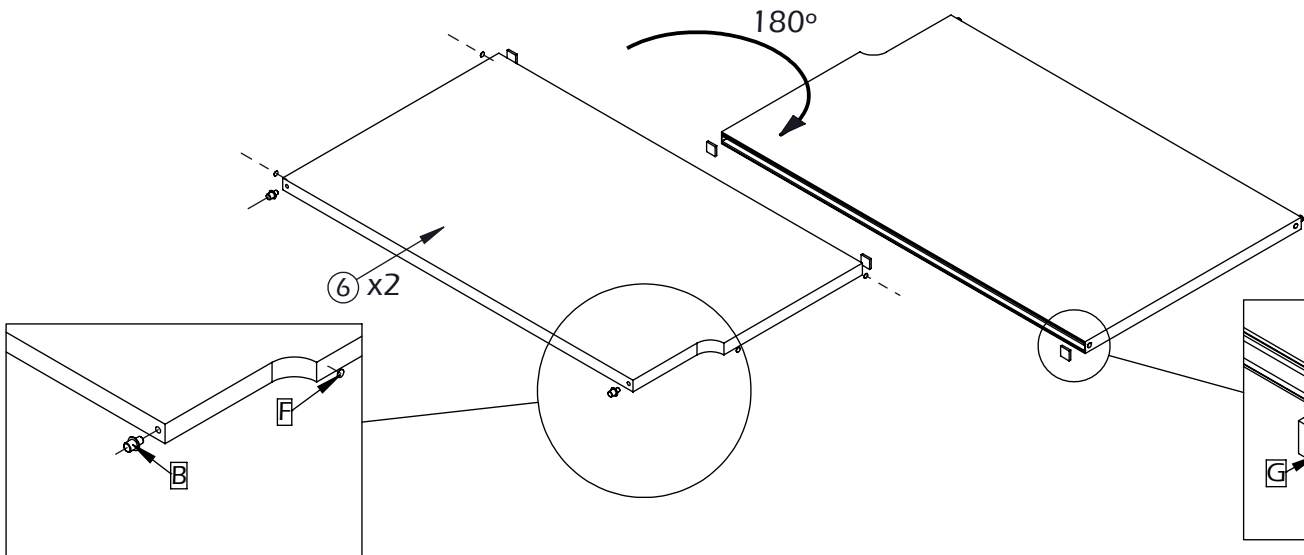
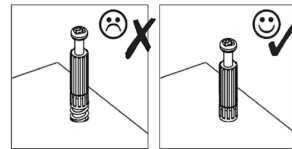
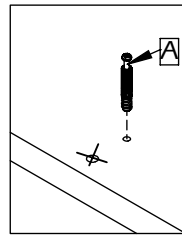
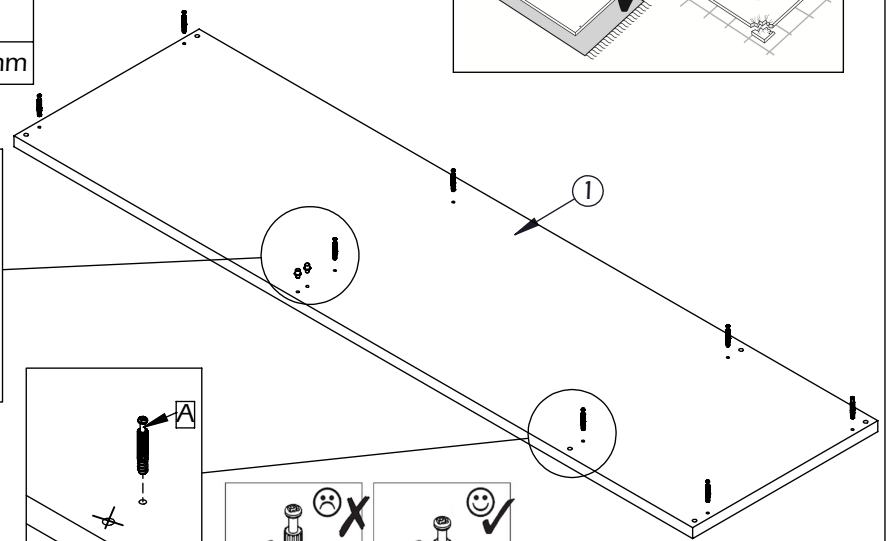
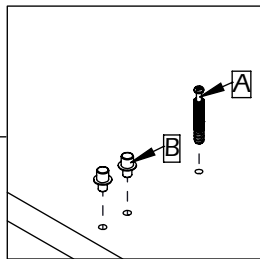
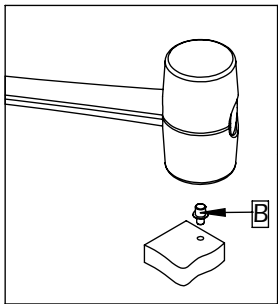
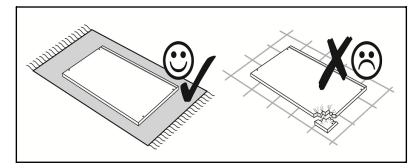


4

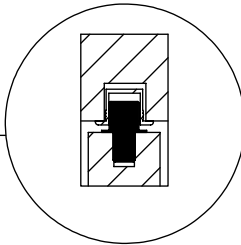
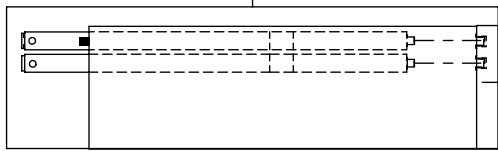
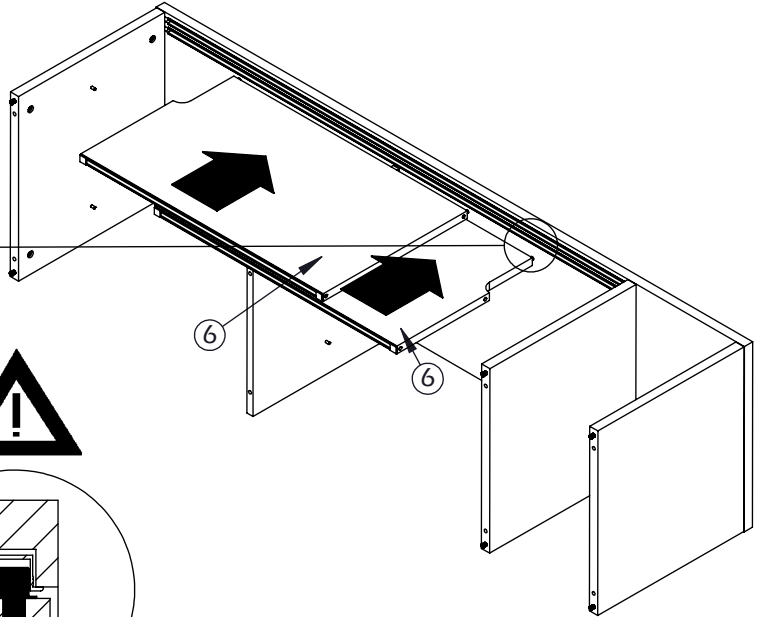
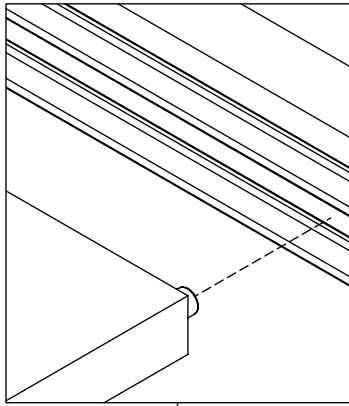
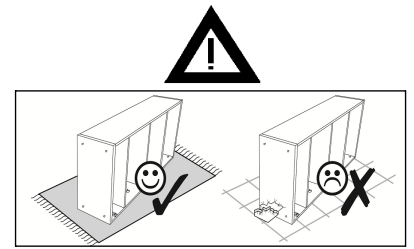
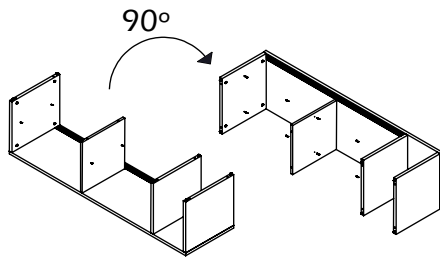


5

A- 8x 	B- 6x 	F- 8x 	G-4x 
Ø7x41mm	Ø12x16mm	Ø7x2mm	16x16x3mm

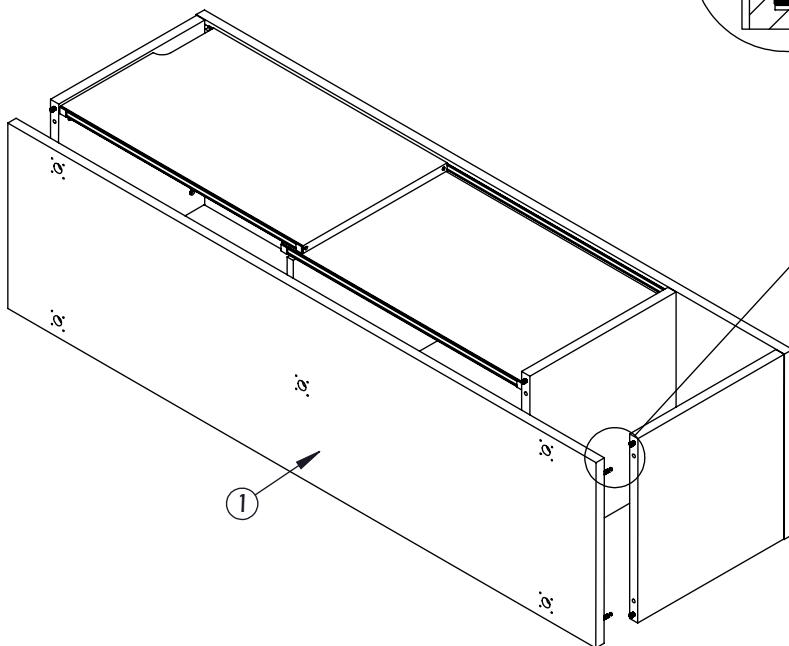
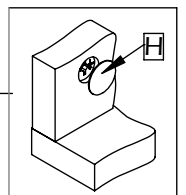
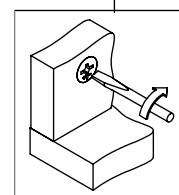
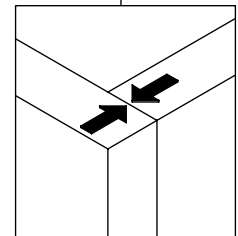
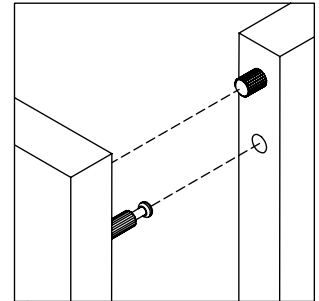
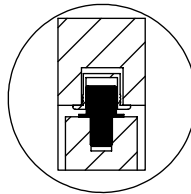
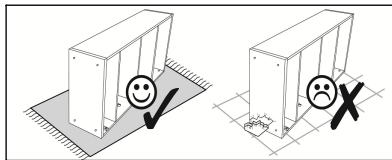
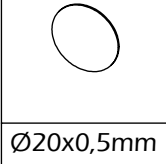


6






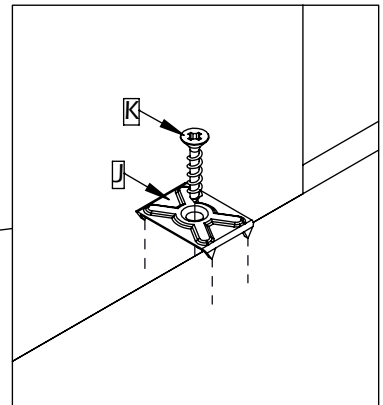
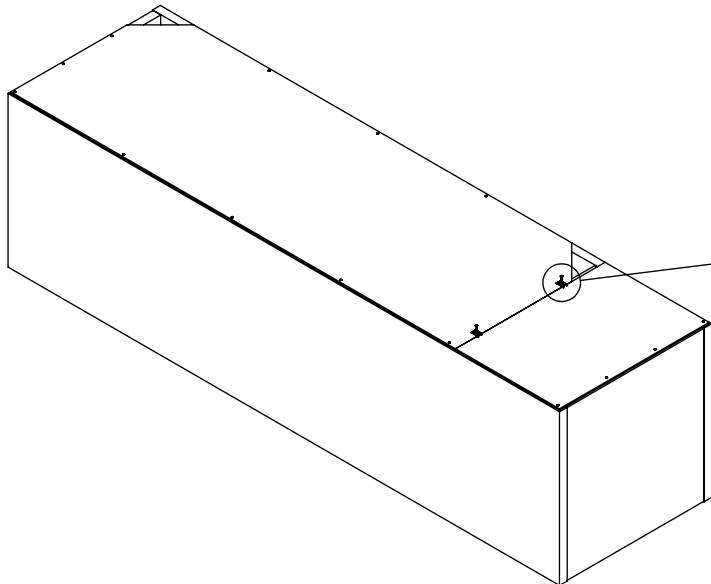
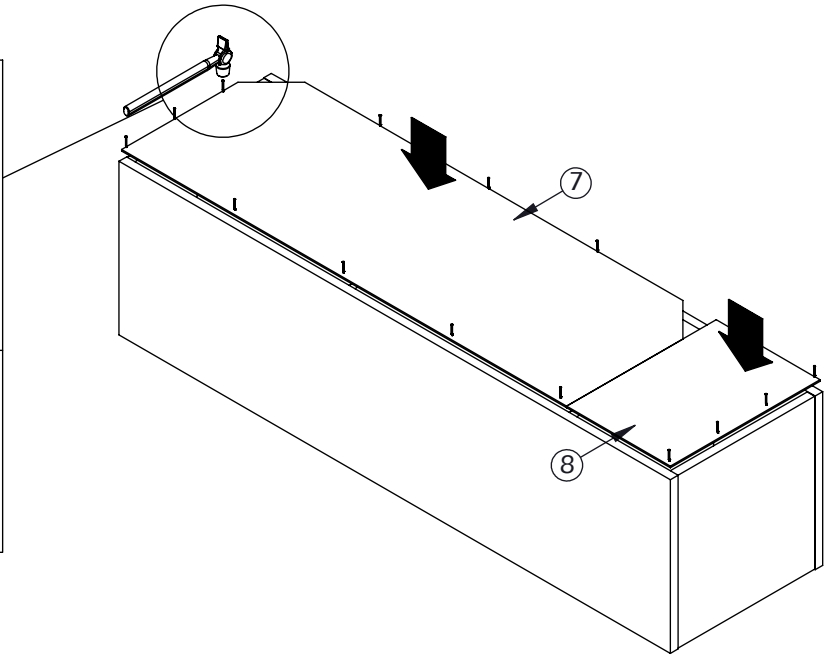
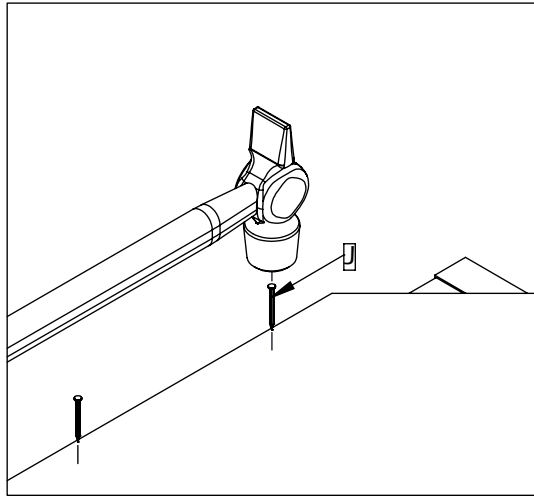
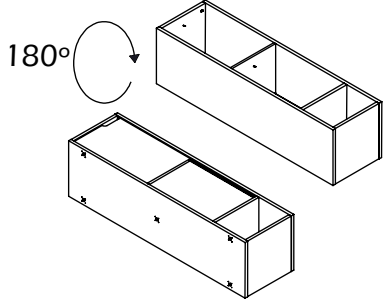
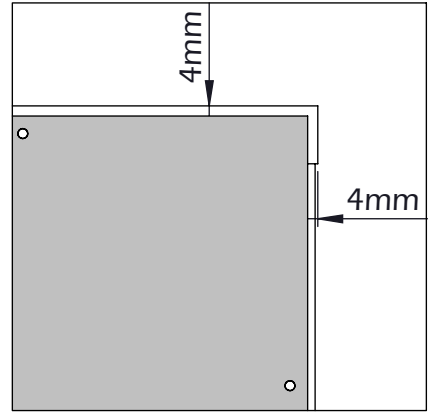
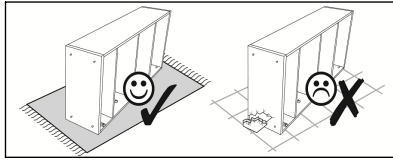
7

H-16x

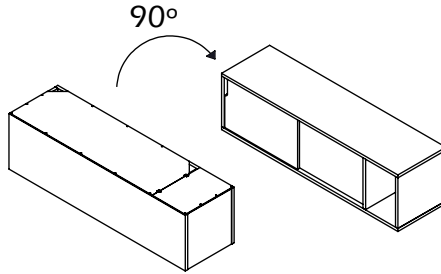
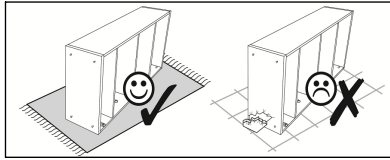


8

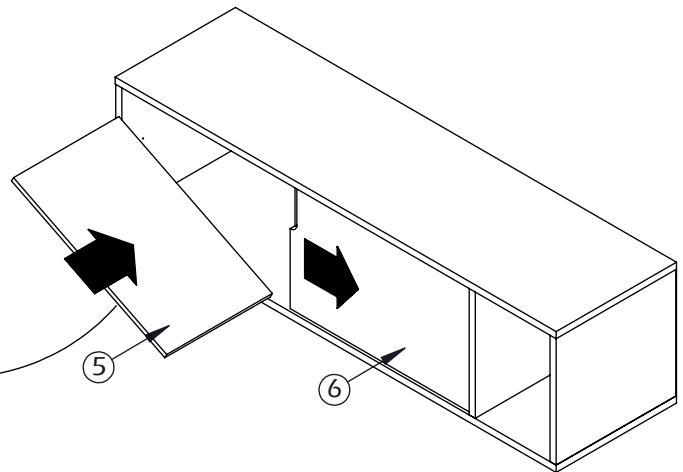
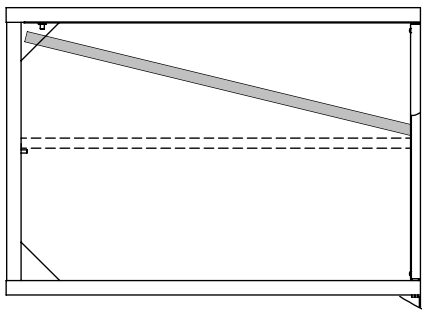
I-14x 	J- 2x 	K- 2x 
Ø4x29mm	20x14x4mm	Ø3x16mm



9



1°



2°

