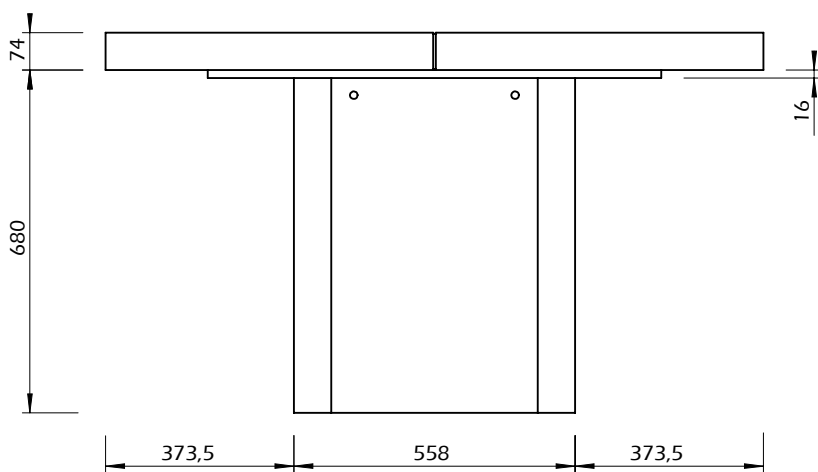
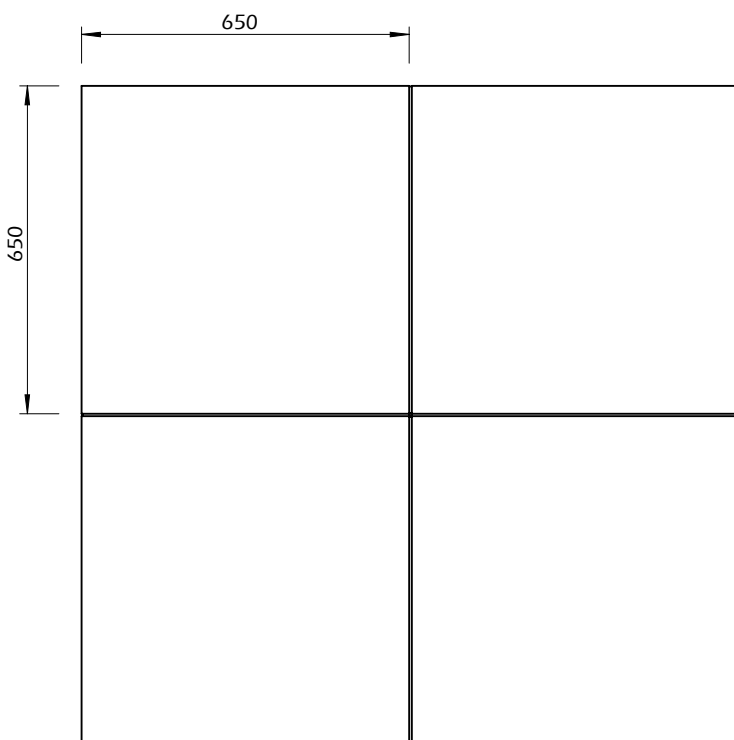
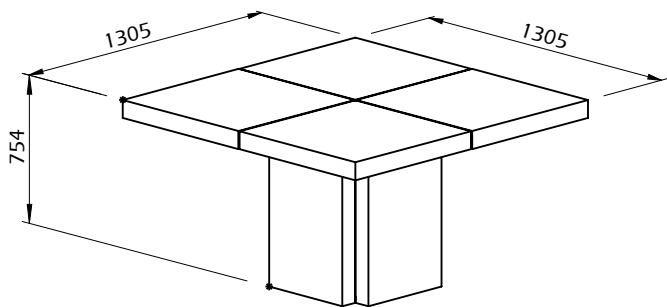


# Technical Information

DUSK 130



60min



50kg