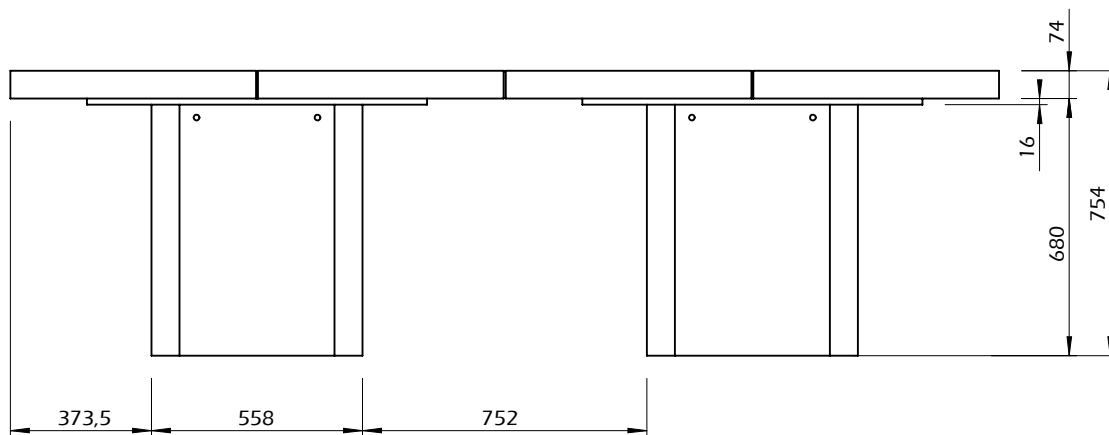
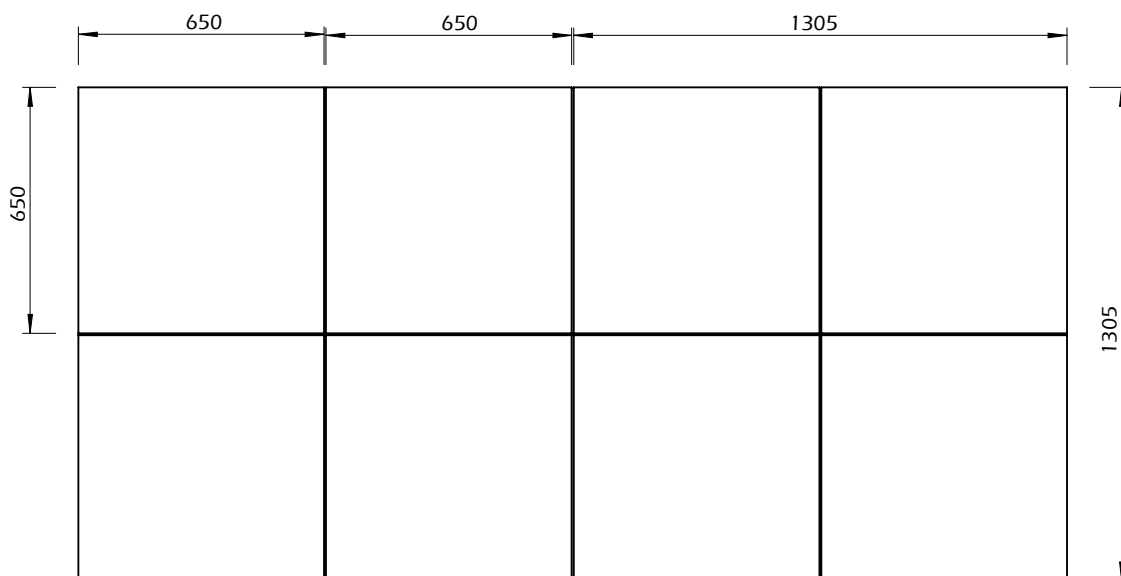
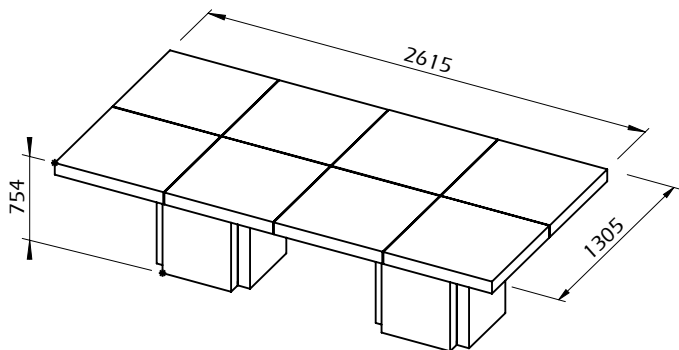


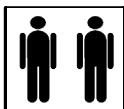
Technical Information

DUSK 02



60min
x2

IT-1363-STD/01



50kg
x2