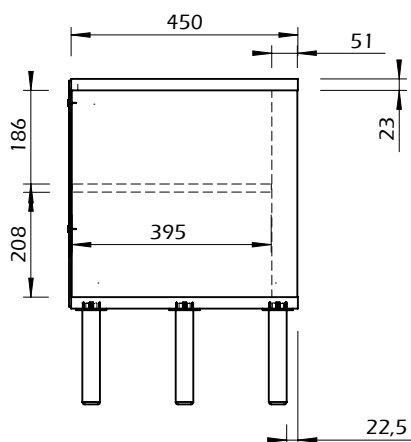
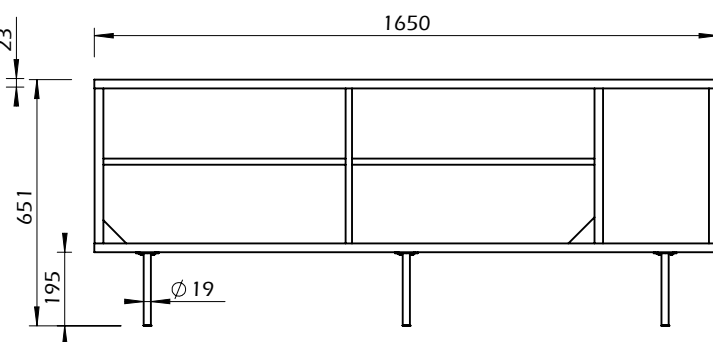
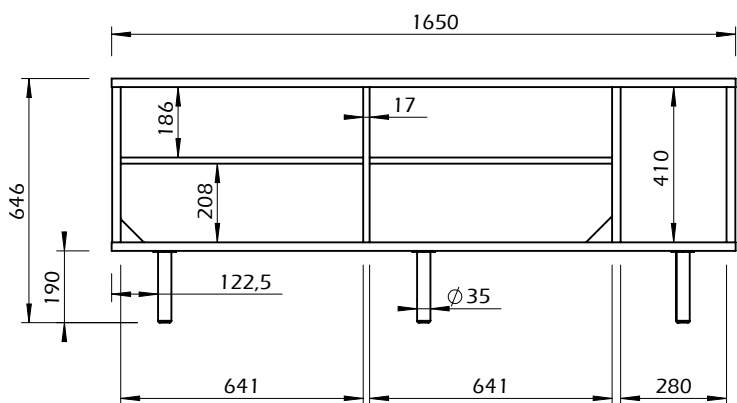
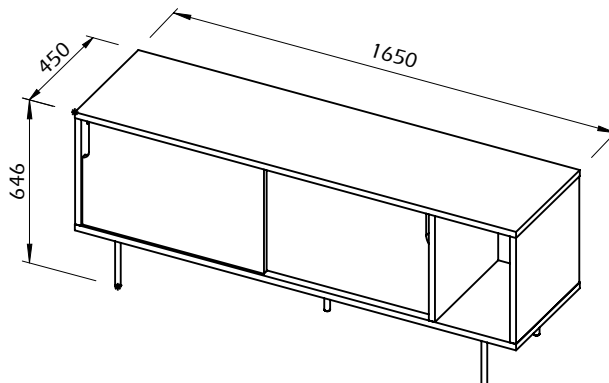
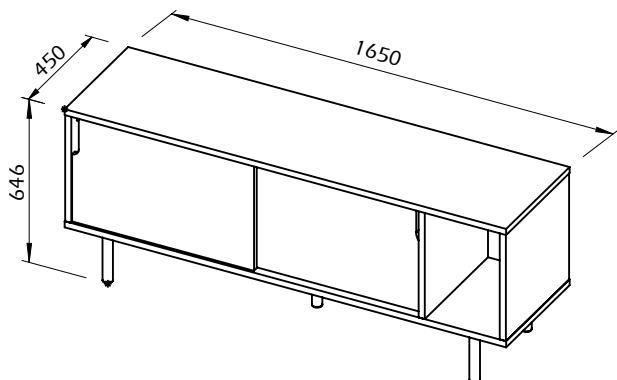


# Technical Information

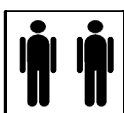


TEMAHOME

DANN



30min



30kg