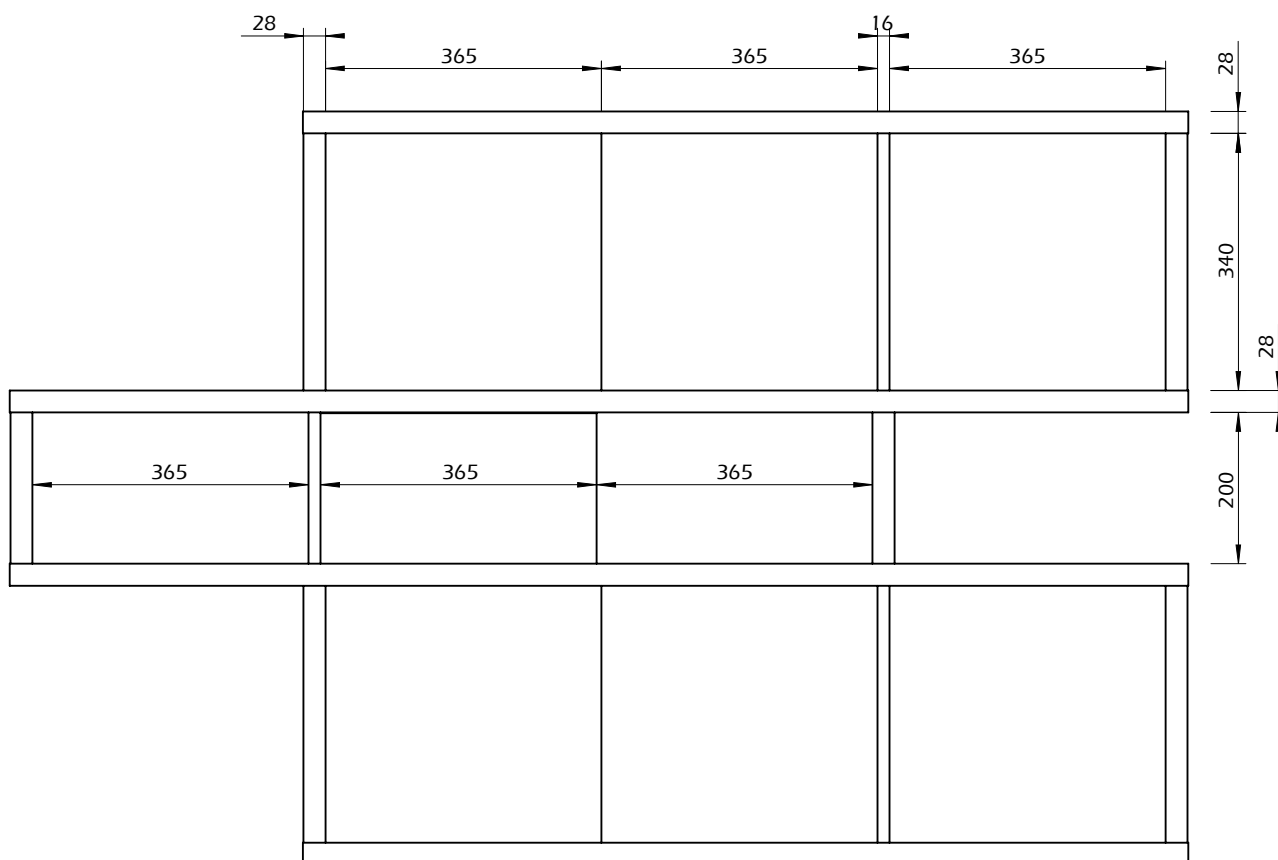
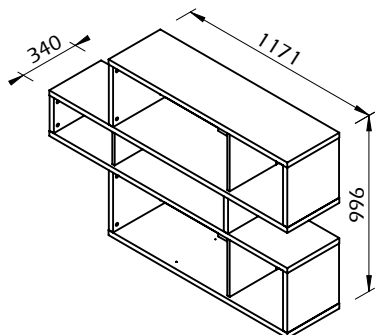
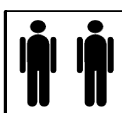


Technical Information

LONDON



40min



50kg