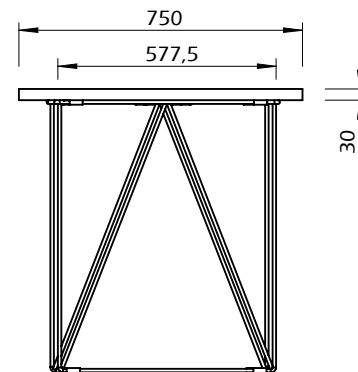
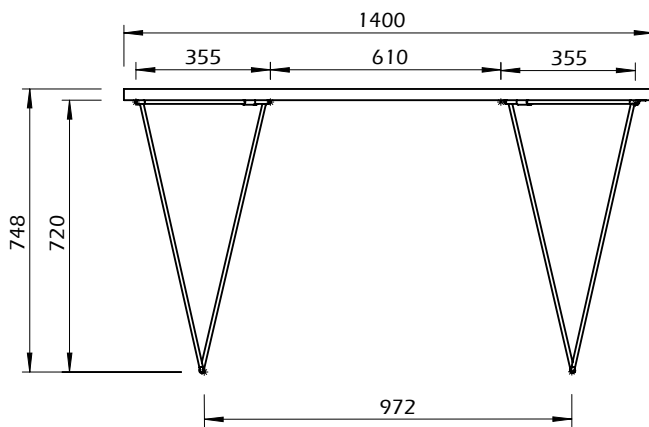
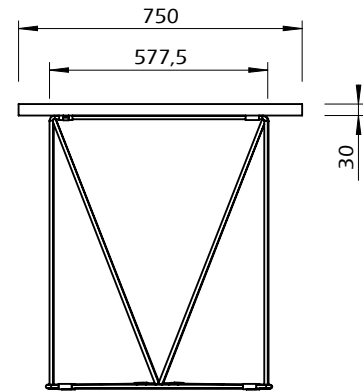
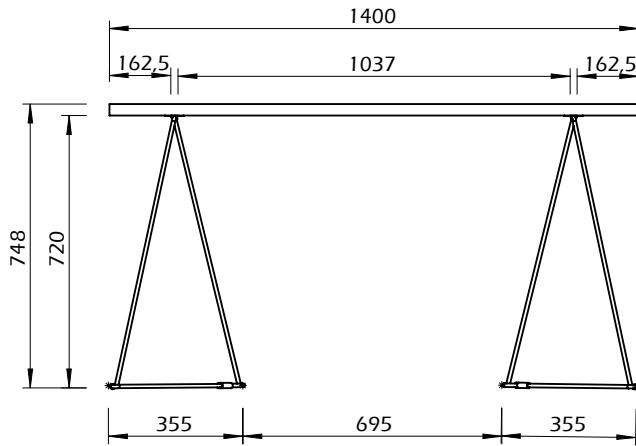
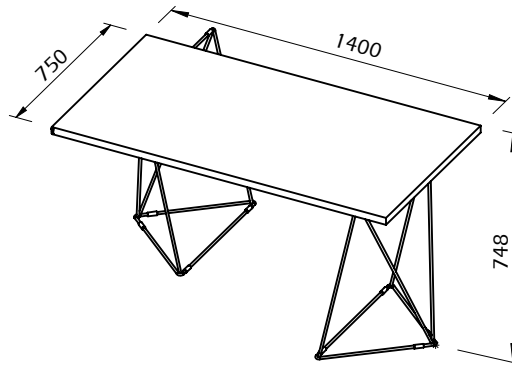
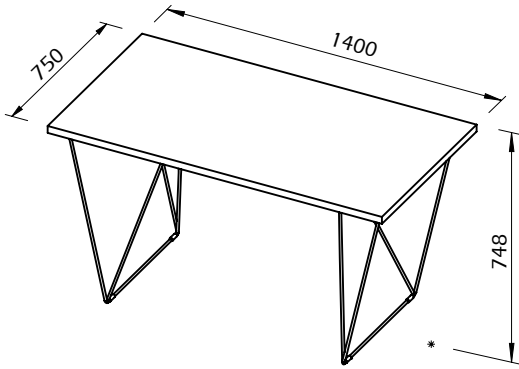
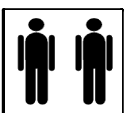


Technical Information

FLOW



20min



25kg