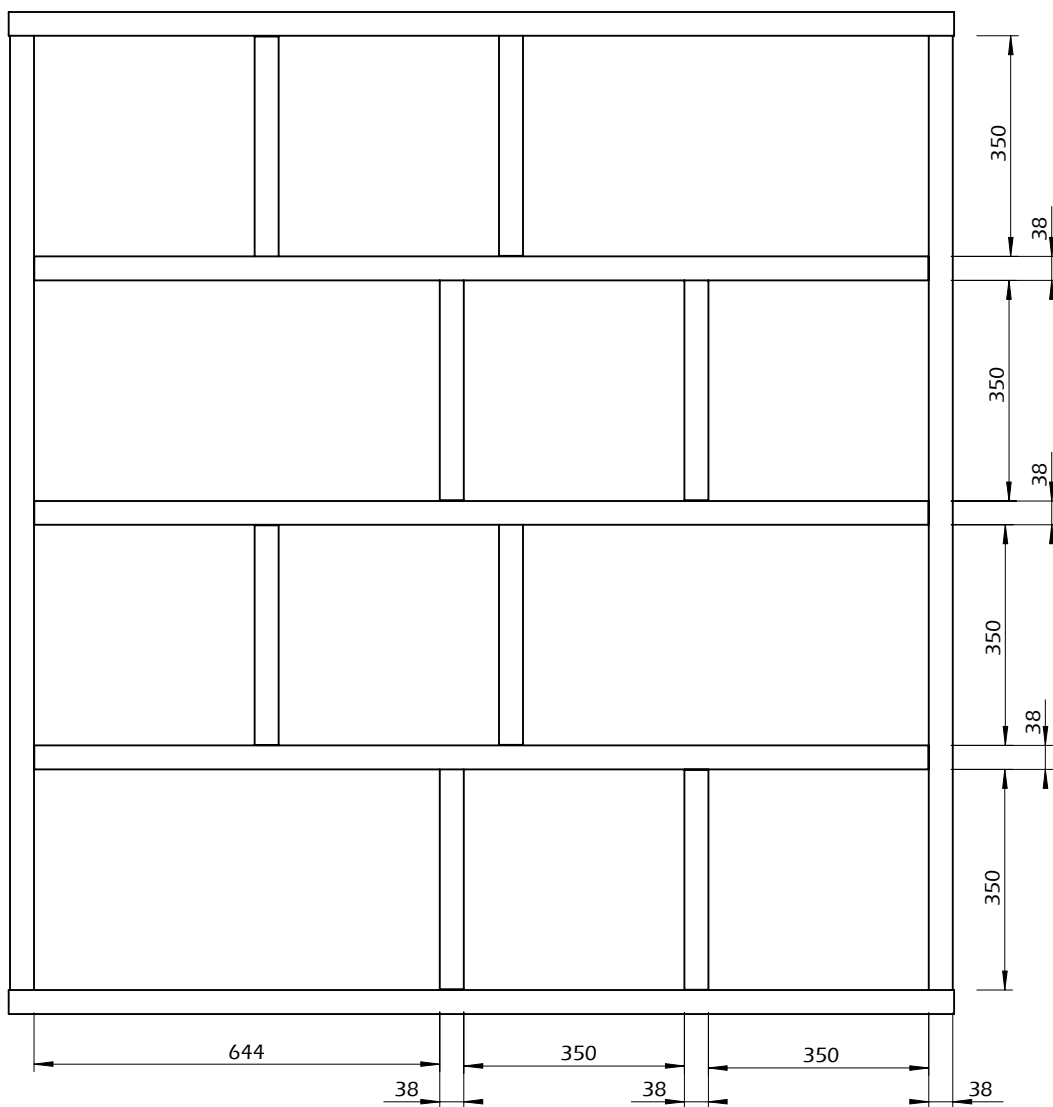
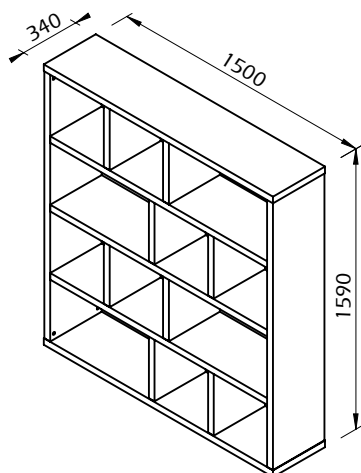
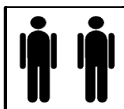


Technical Information

BERLIN



50min



180kg